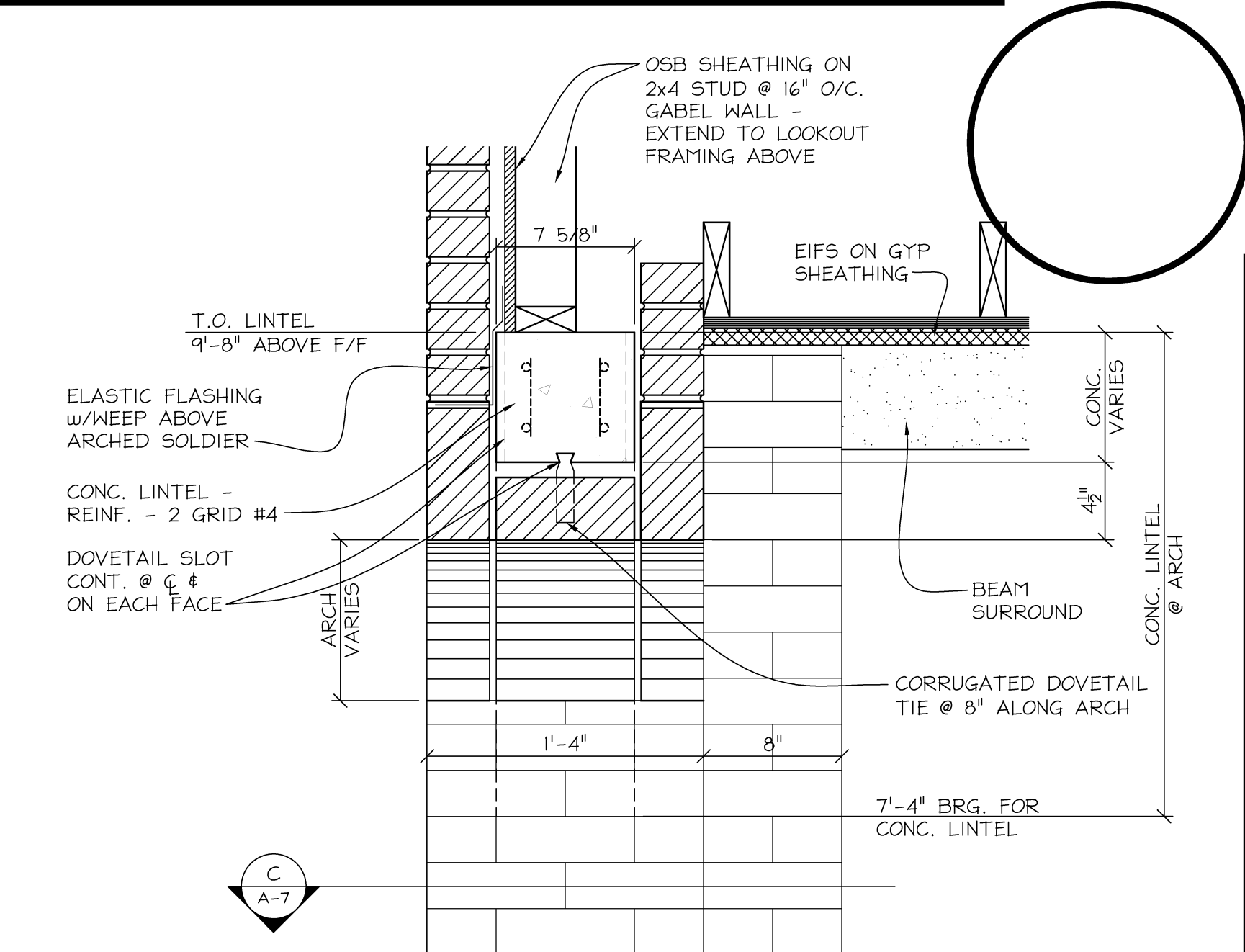
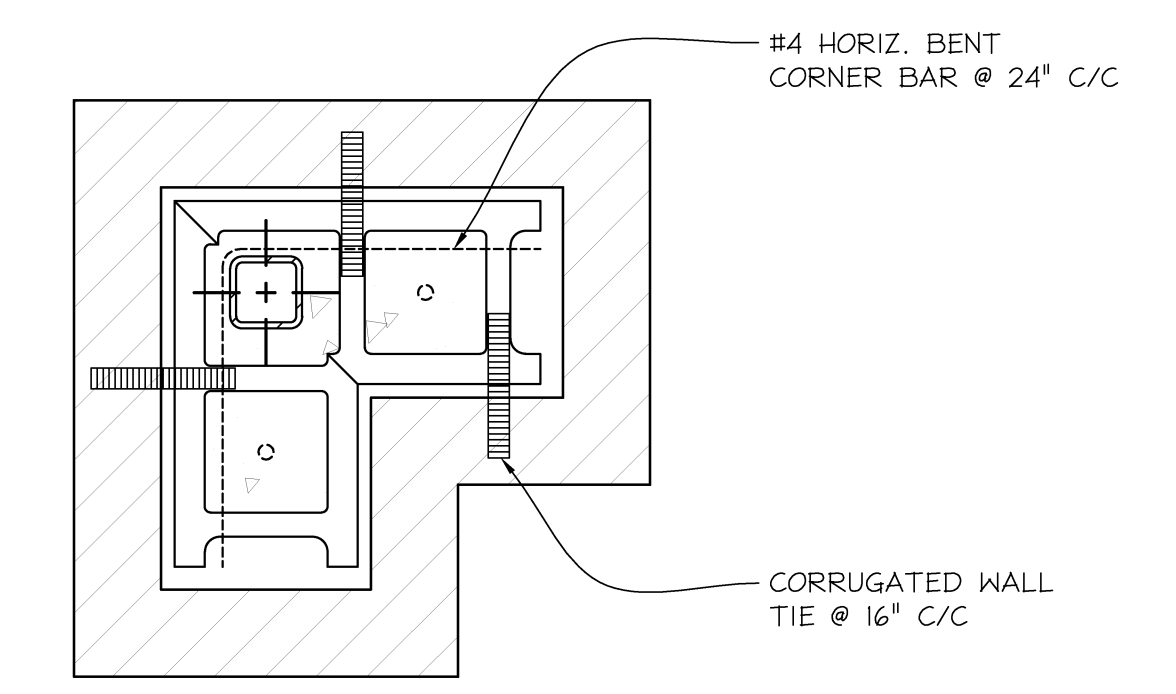


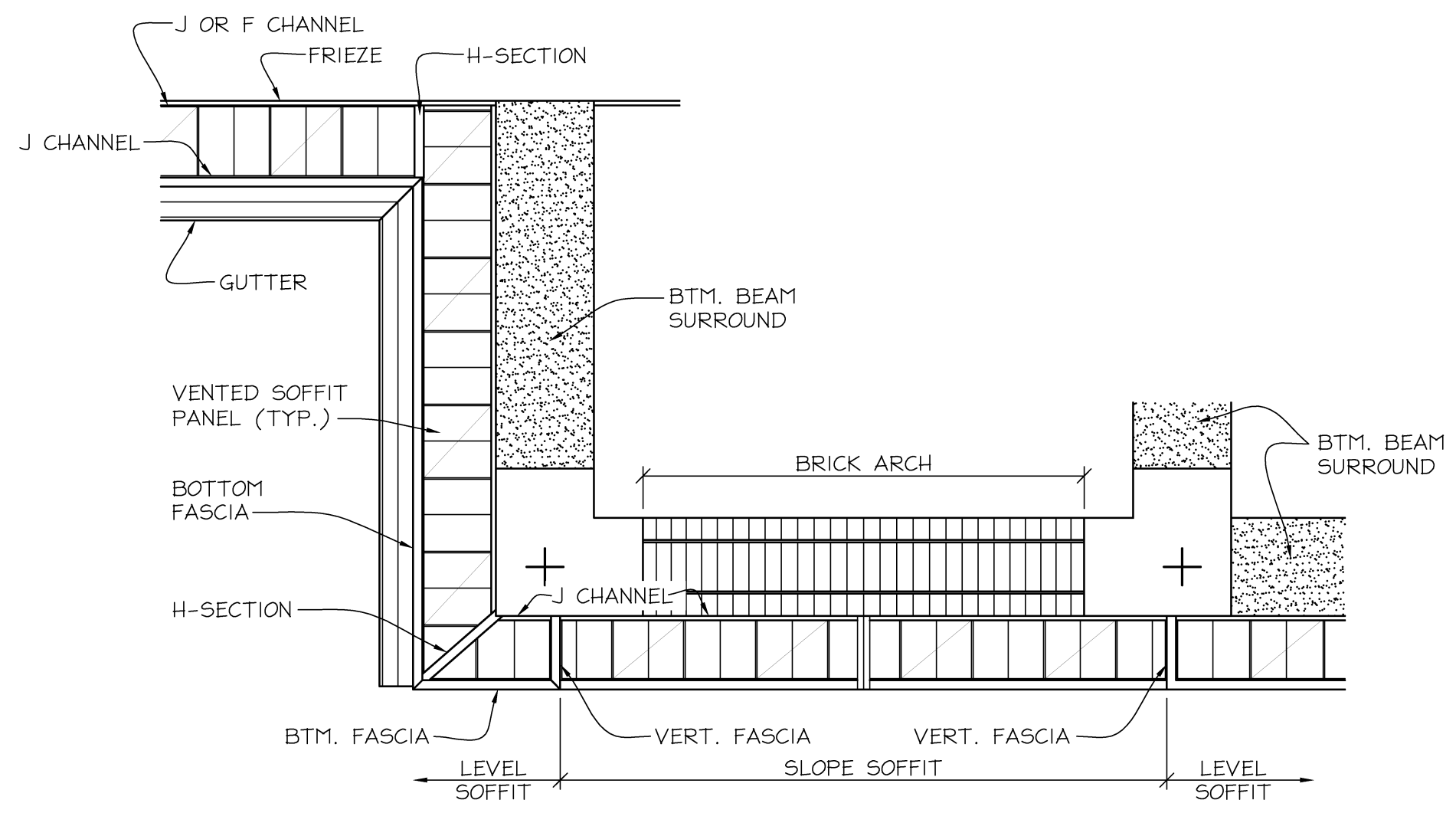
A-7 DETAIL - QUOINS @ CORNERS
SCALE: 1/2"=1'-0"



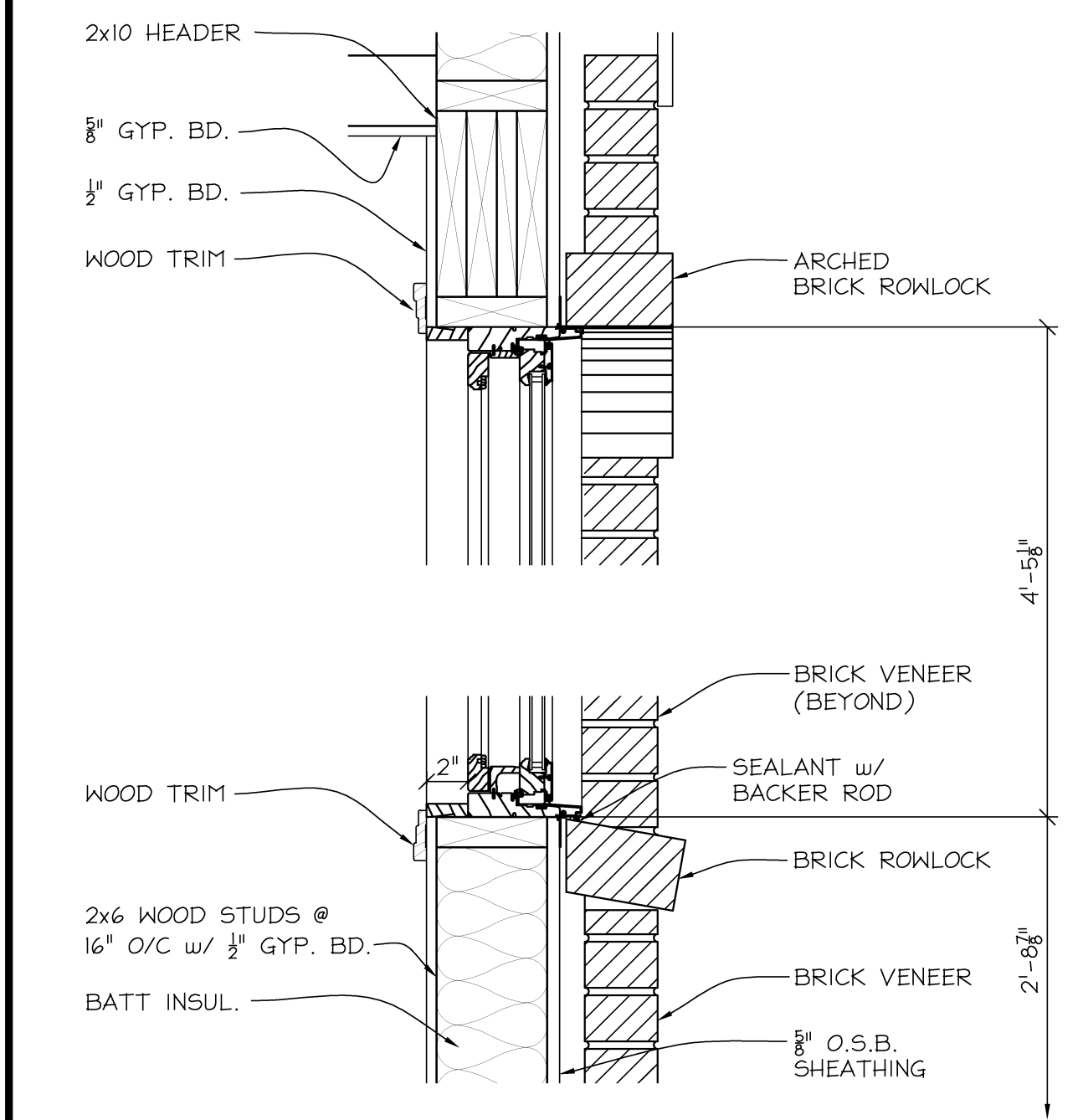
B SECTION
SCALE: 1 1/2"=1'-0"



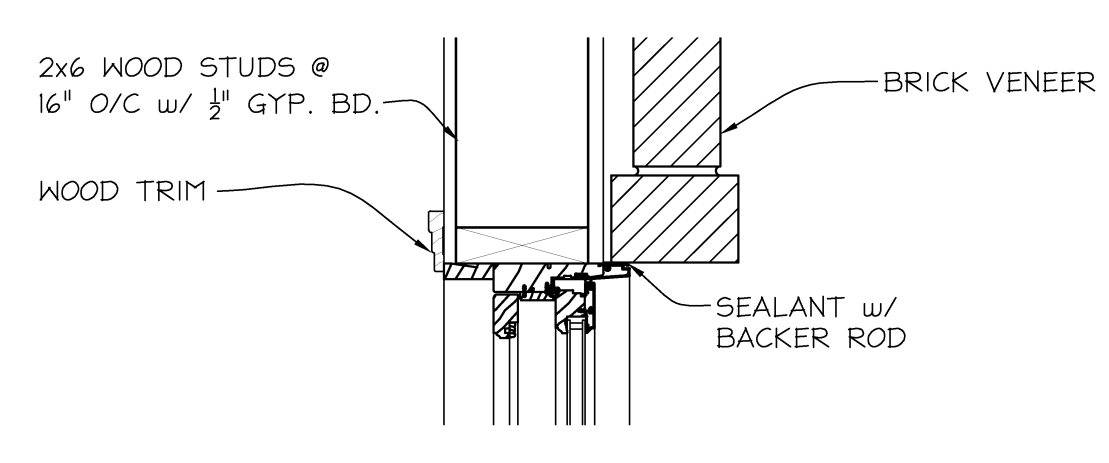
C SECTION
SCALE: 1 1/2"=1'-0"



REFLECTED PLAN @ PORCH SOFFIT/OVERHANG
SCALE: 1/2"=1'-0"




D SECTION
SCALE: 1 1/2"=1'-0"



E SECTION
SCALE: 1 1/2"=1'-0"

ELEVATIONS / DETAILS - BLDG. "A"



castleberry megregor swinford
ARCHITECTS

A-7
of

DATE
6/15/10

BENTON GAS ADMINISTRATIVE OFFICES Project No. 342-10