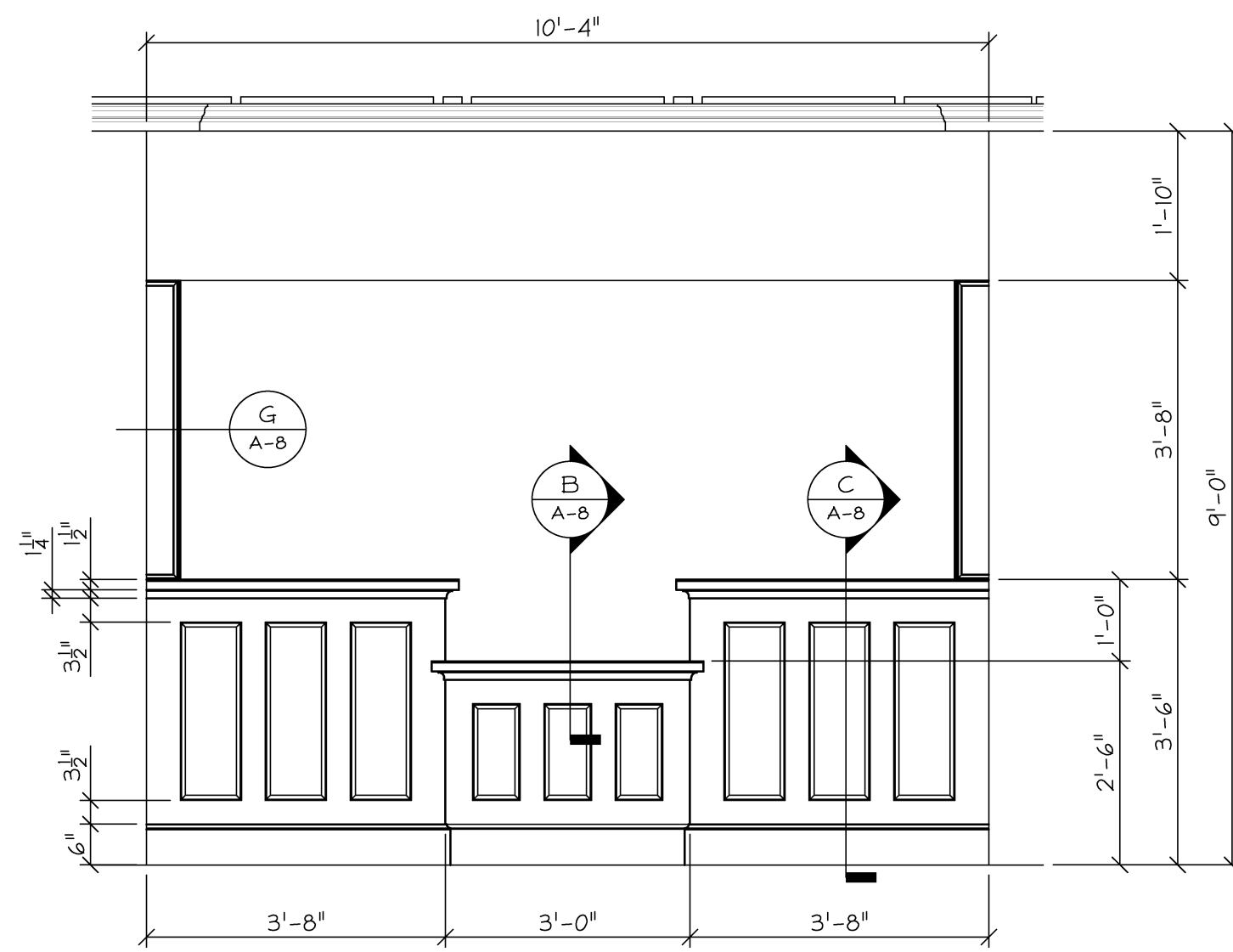
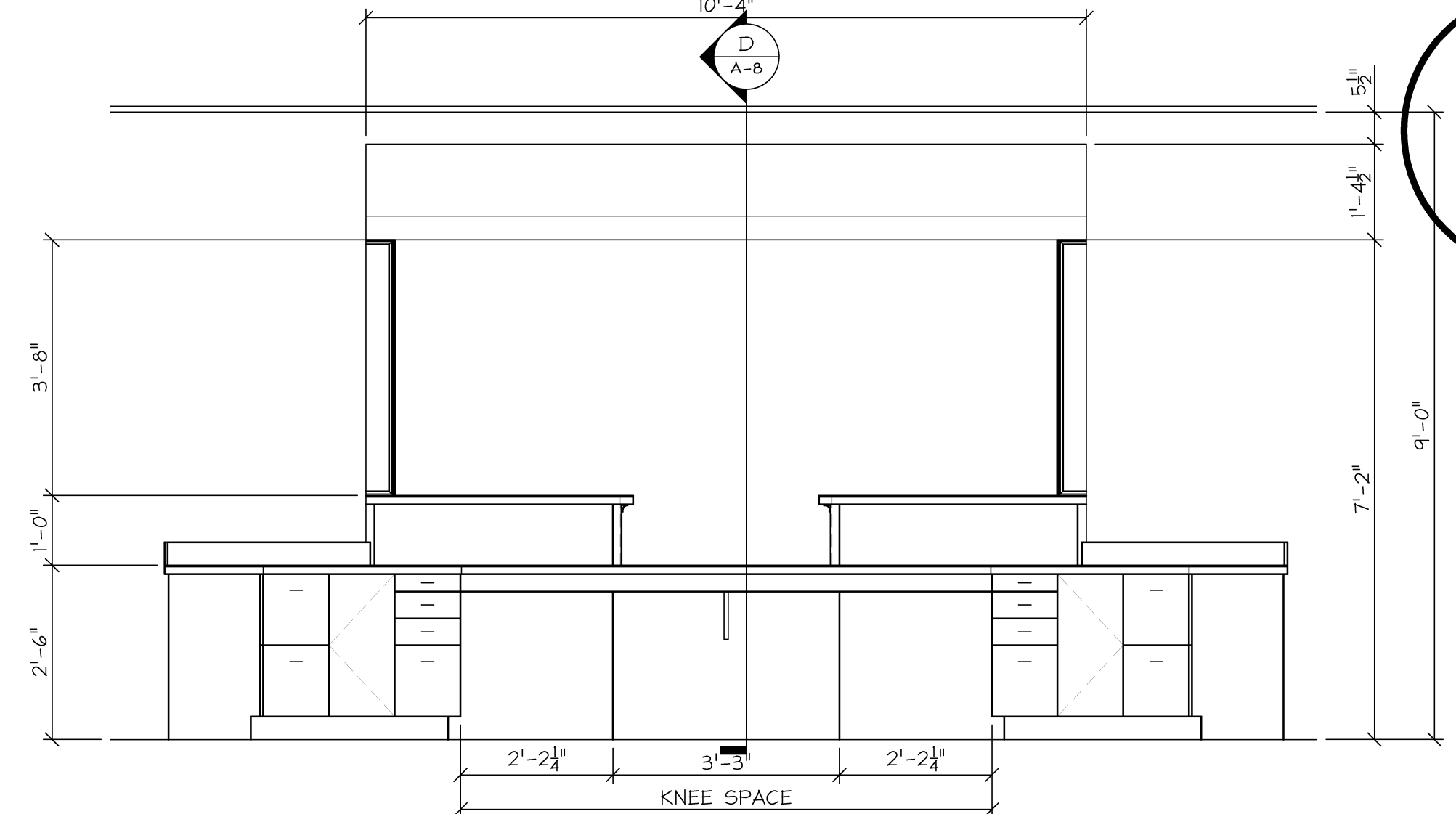


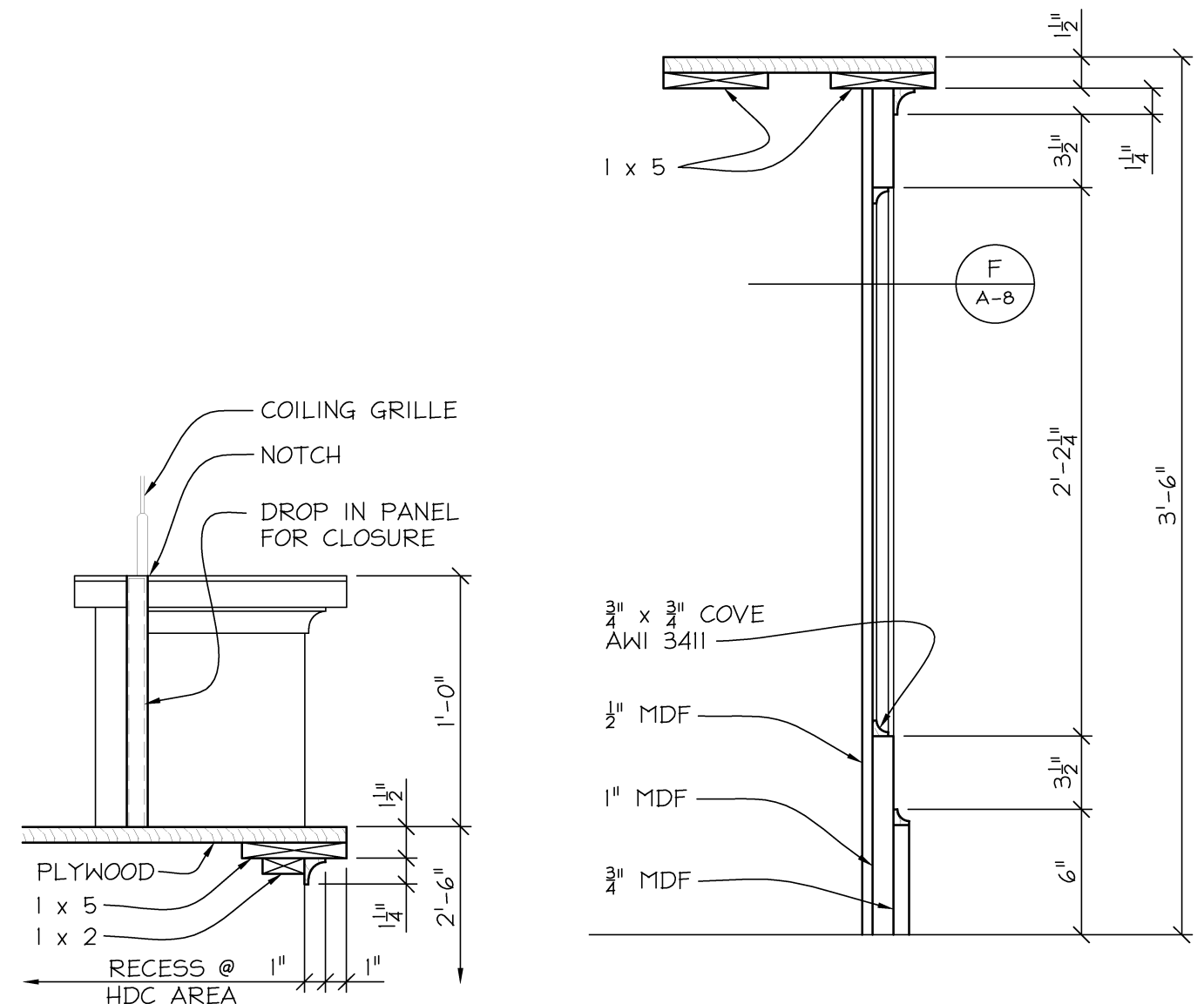
REFLECTIVE CEILING PLAN
SCALE: 1/4"=1'-0"



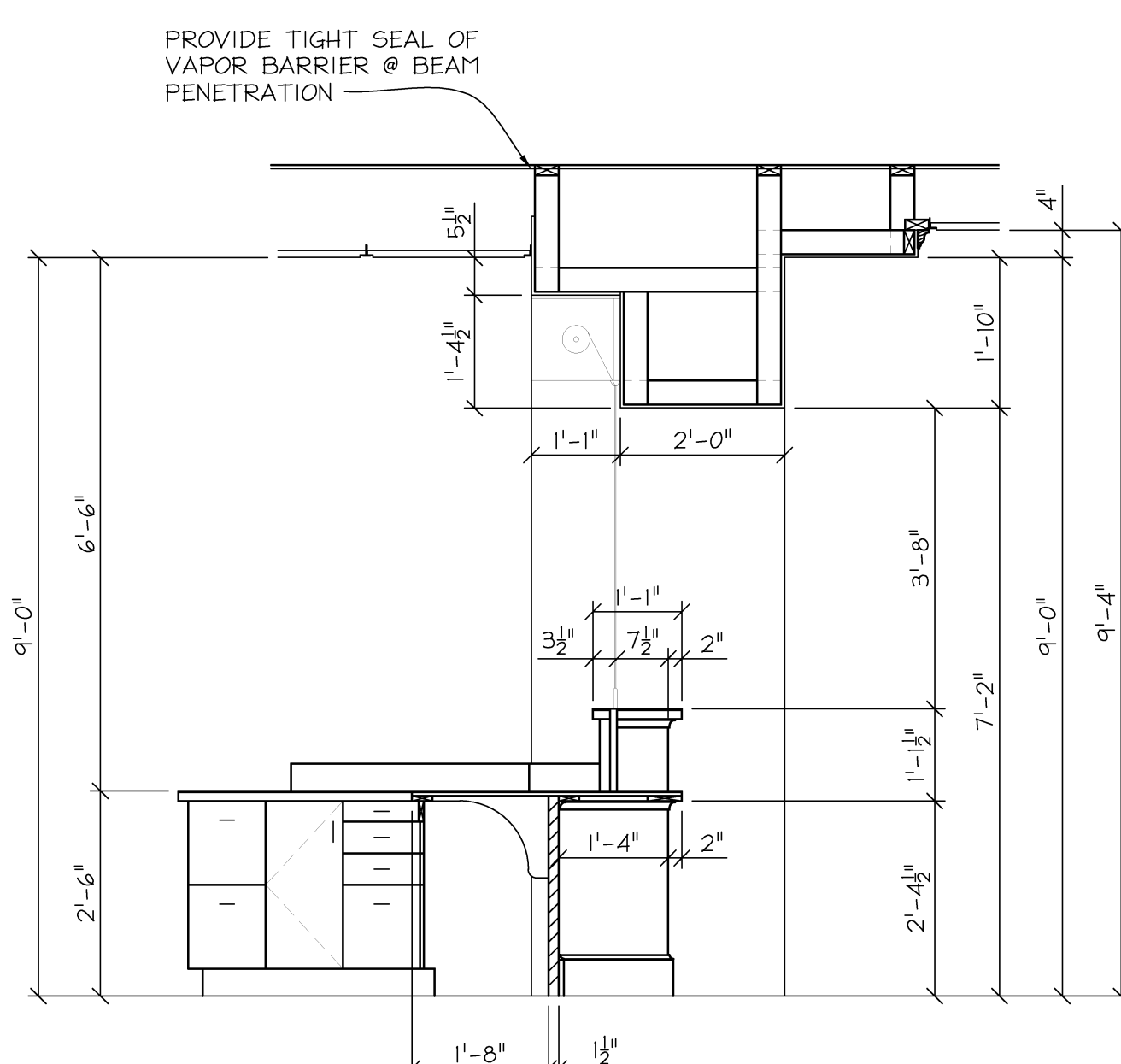
1 ELEVATION
SCALE: 1/2"=1'-0"



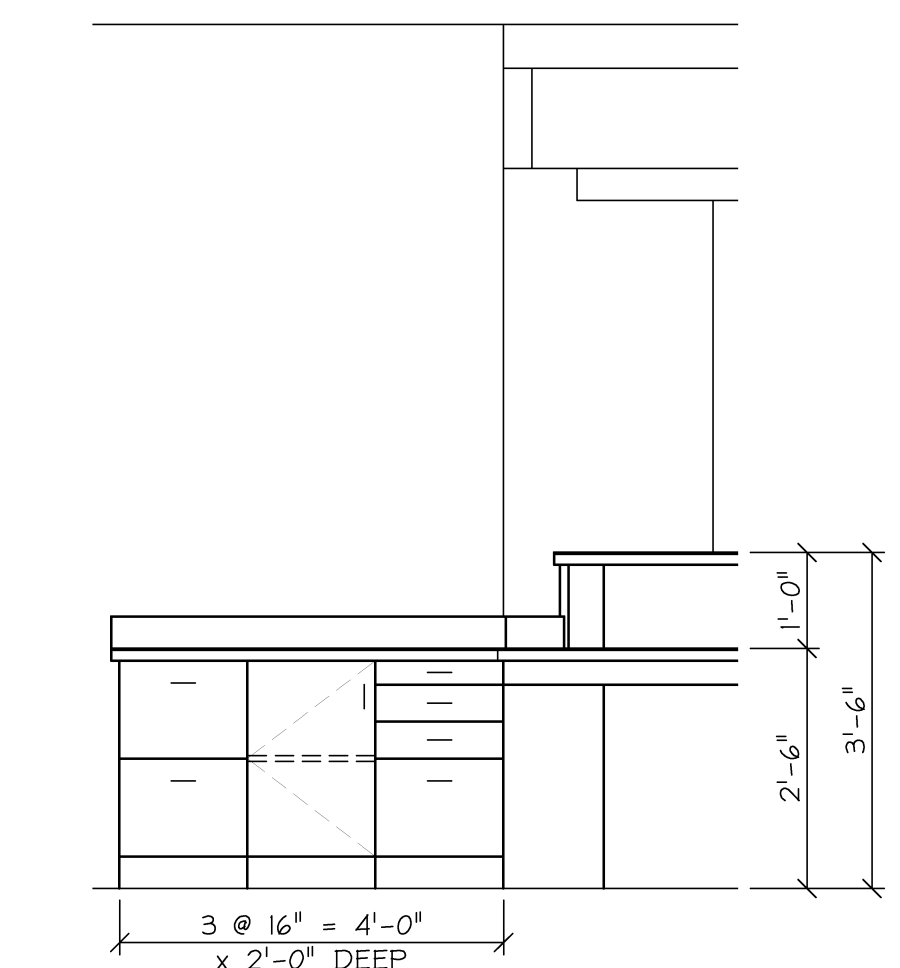
2 ELEVATION
SCALE: 1/2"=1'-0"



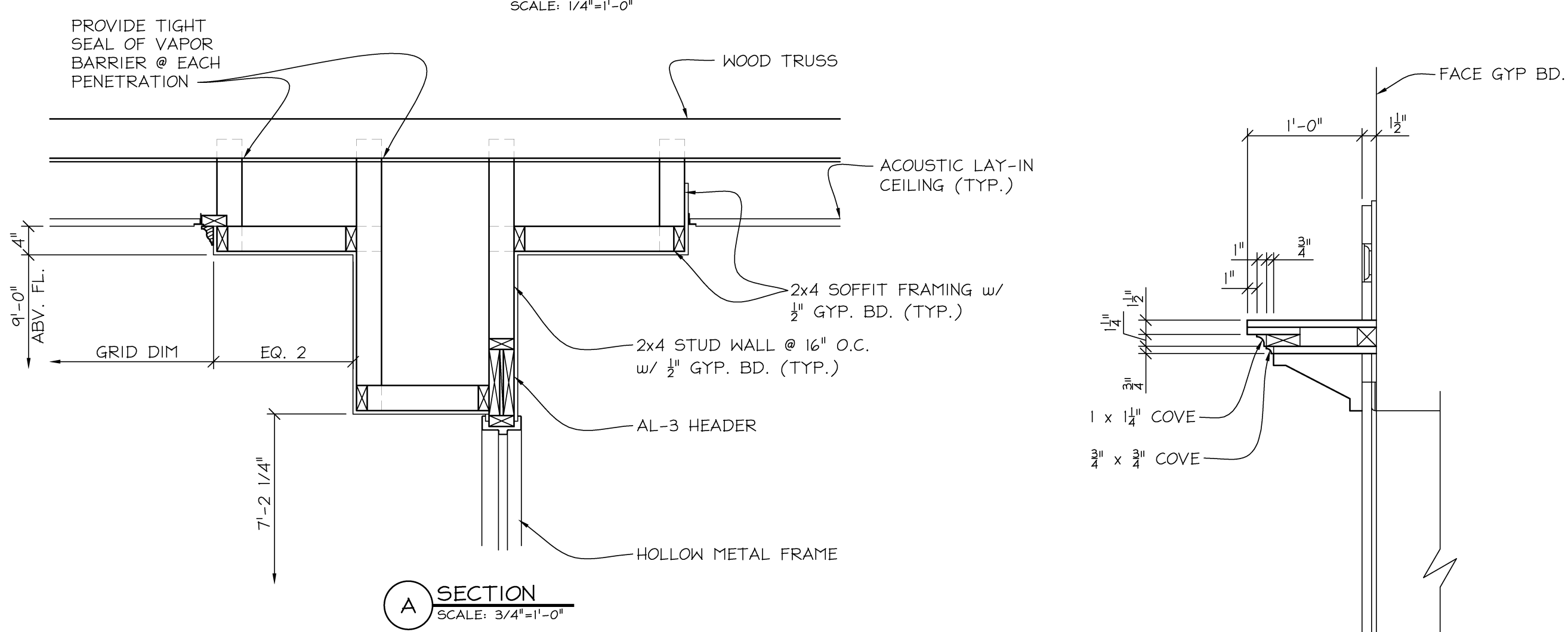
B SECTION
SCALE: 1 1/2"=1'-0"



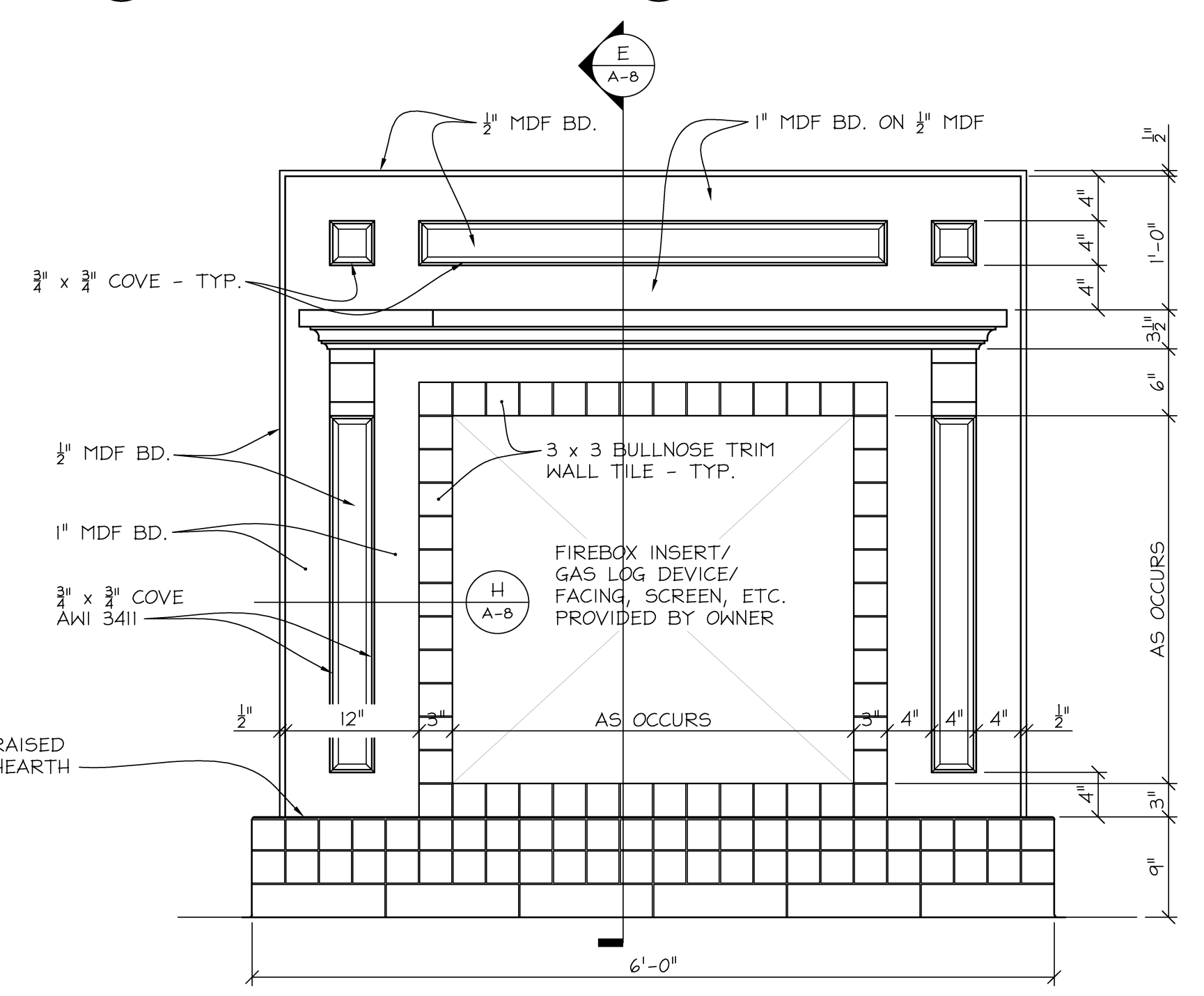
C SECTION
SCALE: 1 1/2"=1'-0"



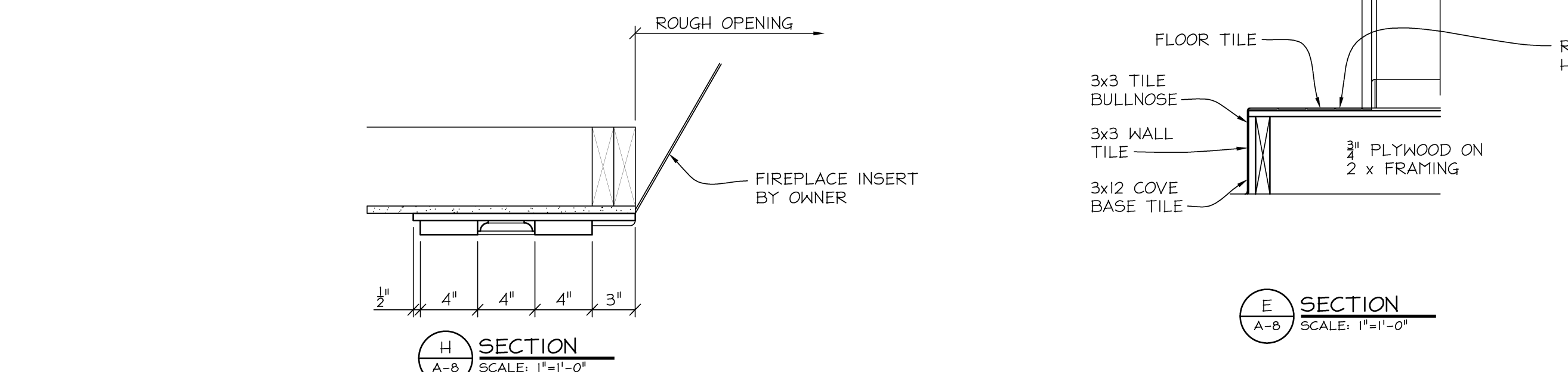
D SECTION
SCALE: 1/2"=1'-0"



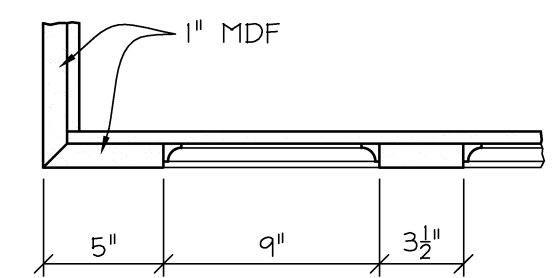
A SECTION
SCALE: 3/4"=1'-0"



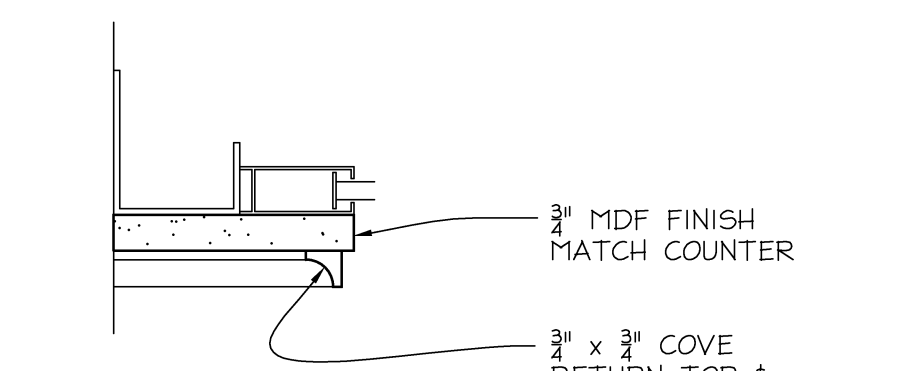
ELEVATION MANTLE & FIREPLACE SURROUND/WALLTRIM
SCALE: 1"=1'-0"



E SECTION
SCALE: 1"=1'-0"



F SECTION
SCALE: 1 1/2"=1'-0"



G SECTION
SCALE: 3/4"=1'-0"

PARTIAL REFLECTIVE CEILING PLAN / MILLWORK - BLDG. "A"

A-8
of

DATE
6/15/10

BENTON GAS ADMINISTRATIVE OFFICES Project No. 342-10