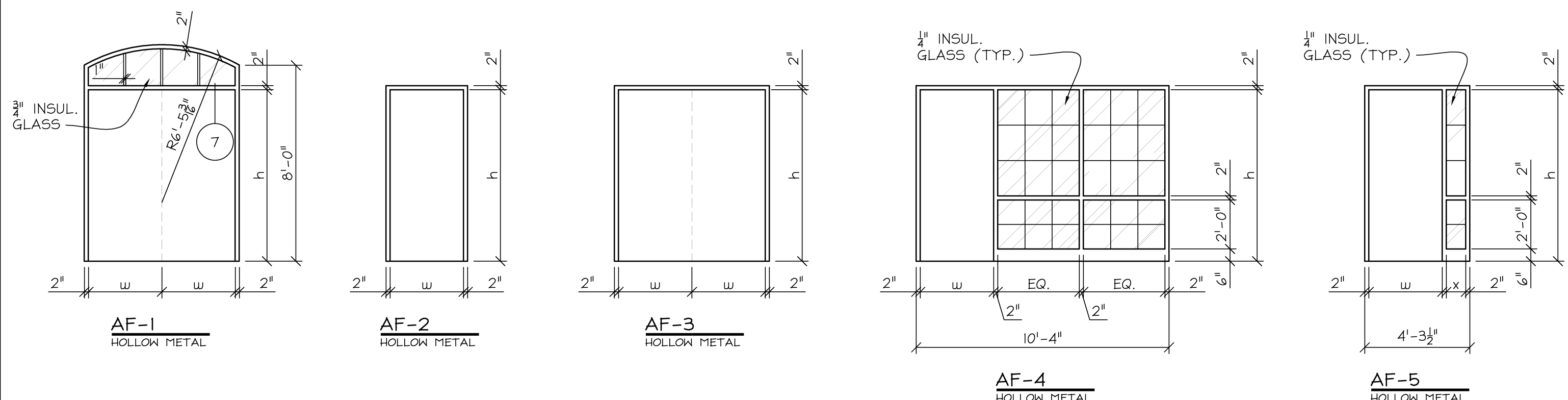


BLDG. "A" DOOR/FRAME/HARDWARE SCHEDULE										
OPN'G. #	FIRE RATING	LINTEL TYPE	FRAMES			SIGN	DOORS		HWDR	REMARKS
			TYPE	PROFILE NO.	W		TYPE	SIZE (w) x (h)		
A01	--	AL-1	AF-1	1	8 1/2	-	AD-1	3'-0" x 7'-0"	AH-1	PAIR DOORS
A02	--	AL-1	AF-1	1	8 1/2	-	AD-1	3'-0" x 7'-0"	AH-1	PAIR DOORS
A03	--	AL-2	AF-2	2/3	4 5/8	YES	AD-2	3'-0" x 7'-0"	AH-2	
A04	--	AL-2	AF-2	2	4 5/8	YES	AD-2	3'-0" x 7'-0"	AH-3	
A05	--	AL-2	AF-3	2	4 5/8	YES	AD-3	3'-0" x 7'-0"	AH-4	PAIR DOORS
A06	--	AL-3	AF-4	3	4 5/8	YES	AD-2	3'-0" x 7'-0"	AH-5	
A07	--	AL-2	AF-2	2	4 5/8	YES	AD-2	3'-0" x 7'-0"	AH-6	
A08	--	AL-2	AF-5	3	4 5/8	YES	AD-2	3'-0" x 7'-0"	AH-5	
A09	--	AL-2	AF-5	2	4 5/8	YES	AD-2	3'-0" x 7'-0"	AH-6	
A10	--	AL-2	AF-2	2/3	4 5/8	YES	AD-2	2'-8" x 7'-0"	AH-7	
A11	--	AL-2	AF-2	2	4 5/8	YES	AD-3	3'-0" x 7'-0"	AH-8	
A12	--	AL-1	AF-2	4	6 3/4	-	AD-4	3'-0" x 7'-0"	AH-9	
A13	--	AL-1	AF-2	2	6 5/8	YES	AD-2	2'-8" x 7'-0"	AH-3	UNDERCUT
A14	--	AL-2	AF-2	2	4 5/8	YES	AD-2	3'-0" x 7'-0"	AH-3	
A15	--	AL-2	AF-6	2	4 5/8	-	-	3'-0" x 7'-0"	-	
A16	--	AL-2	AF-2	2	4 5/8	YES	AD-2	3'-0" x 7'-0"	AH-3	
A17	--	AL-1	AF-2	2	6 5/8	YES	AD-2	3'-0" x 7'-0"	AH-3	
A18	--	AL-2	AF-2	2/3	4 5/8	YES	AD-2	3'-0" x 7'-0"	AH-3	
A19	--	AL-2	AF-2	2/3	4 5/8	YES	AD-2	3'-0" x 7'-0"	AH-5	
A20	--	AL-2	AF-5	2	4 5/8	YES	AD-2	3'-0" x 7'-0"	AH-6	
A21	--	AL-2	AF-5	2	4 5/8	YES	AD-2	3'-0" x 7'-0"	AH-6	

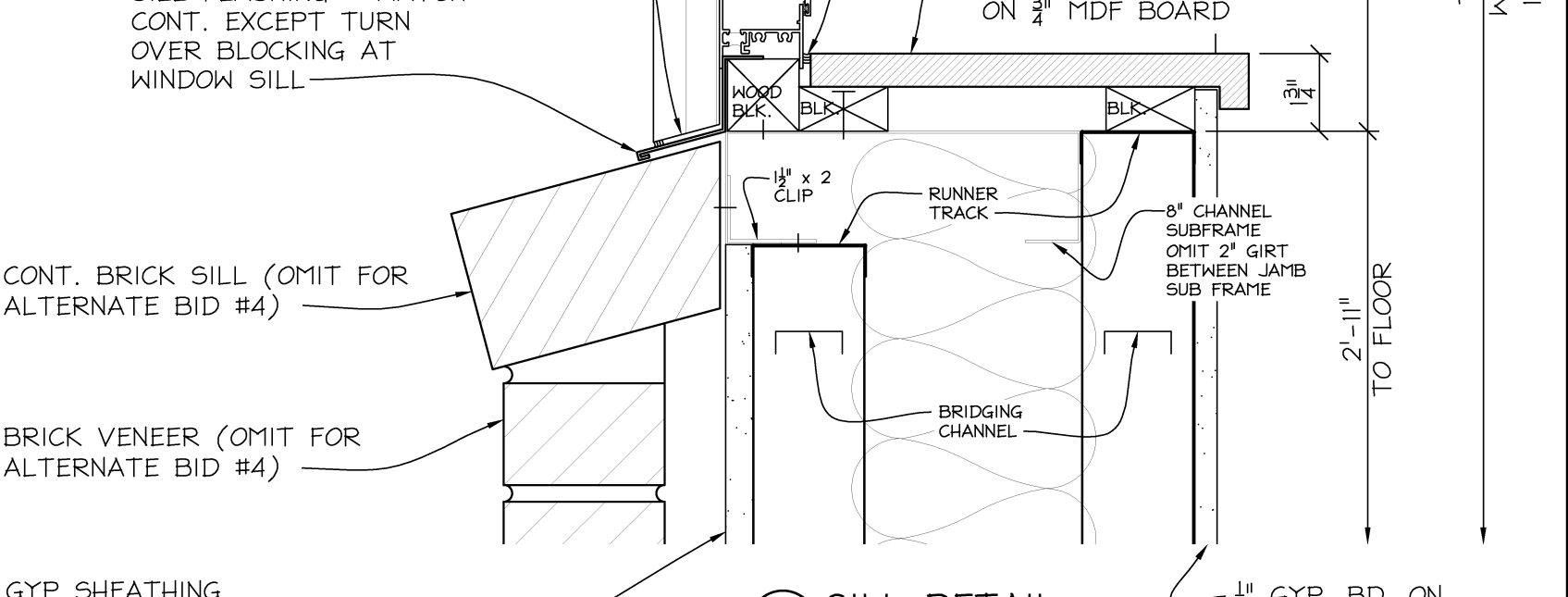
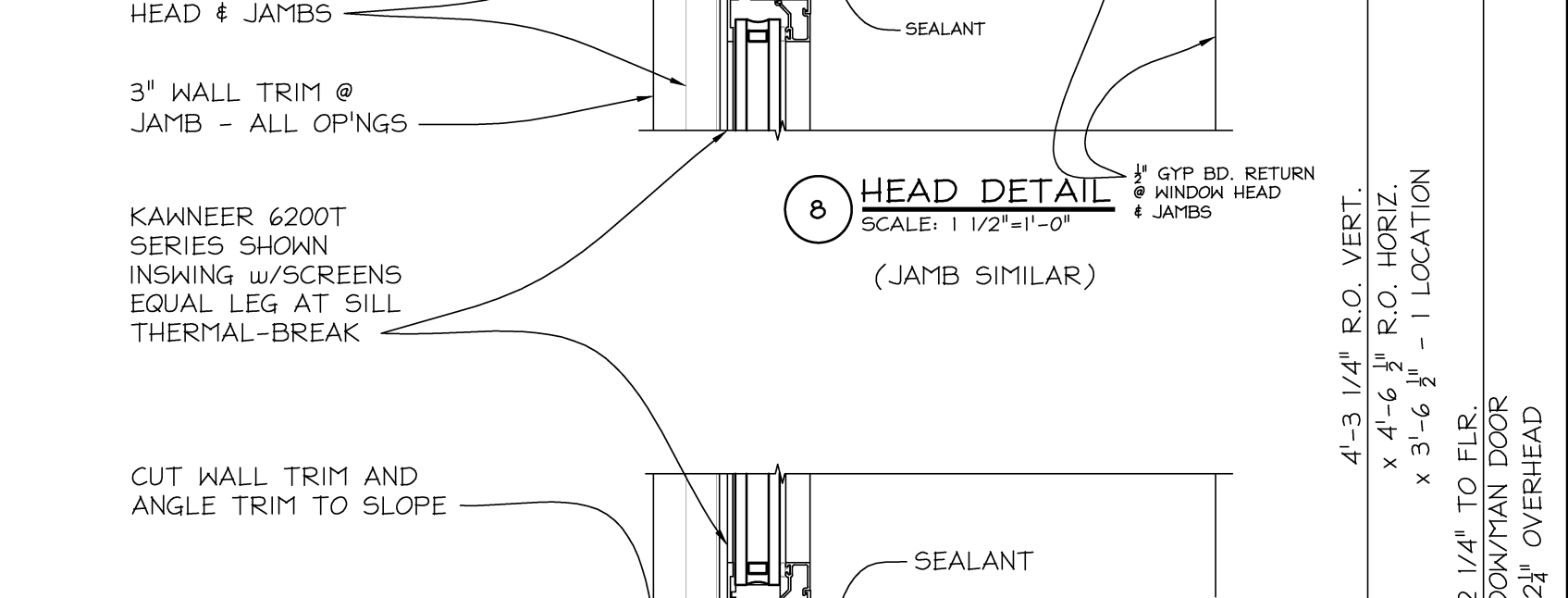
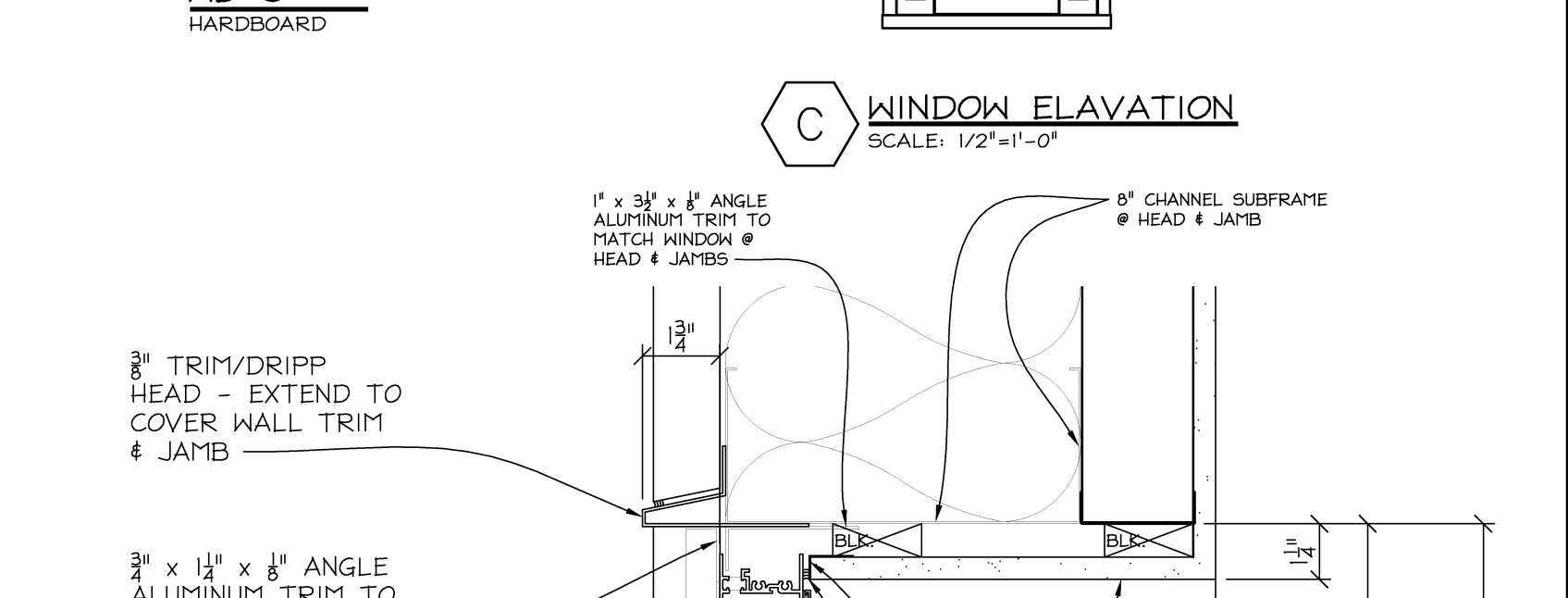
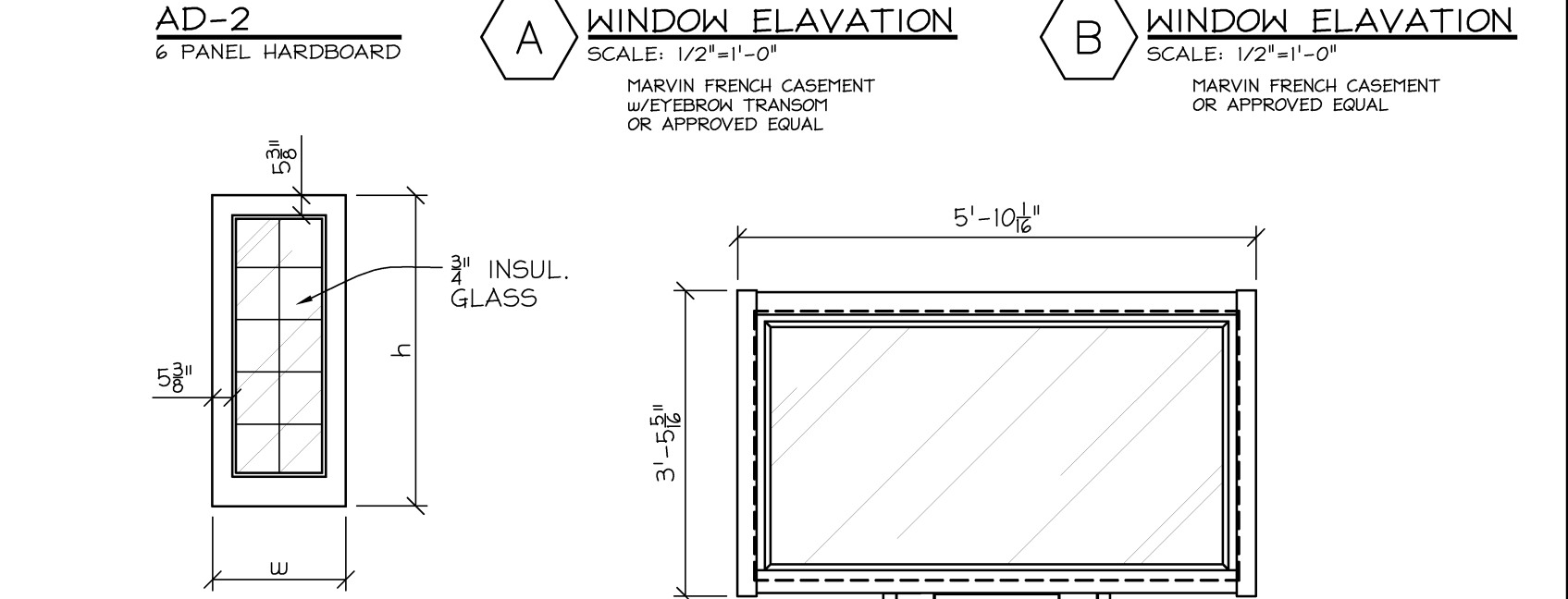
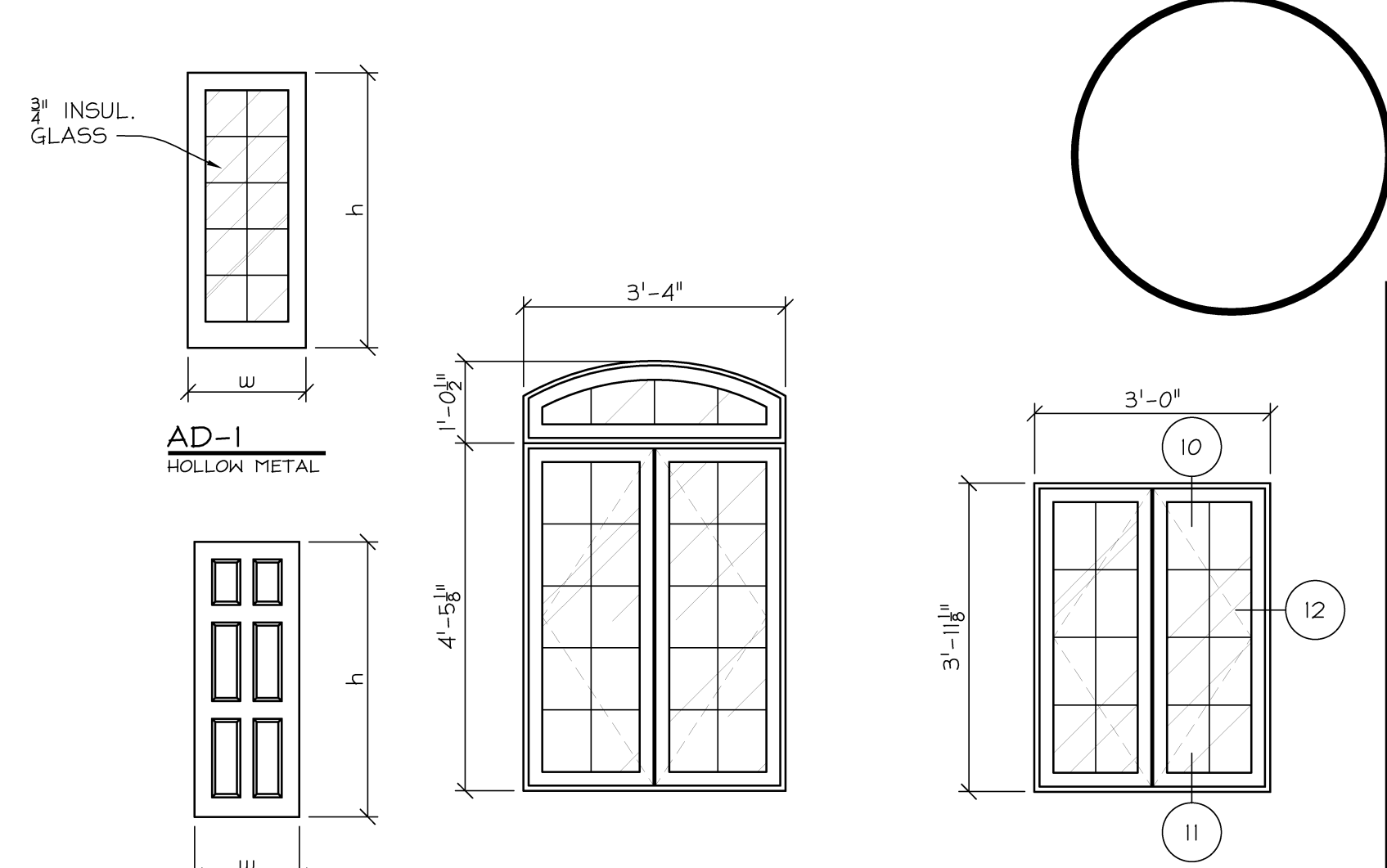
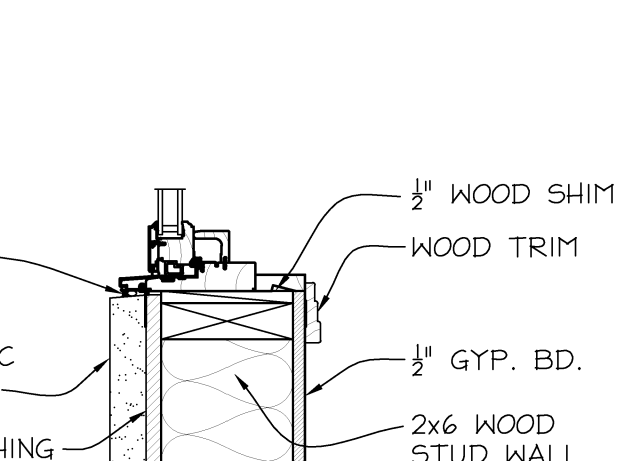
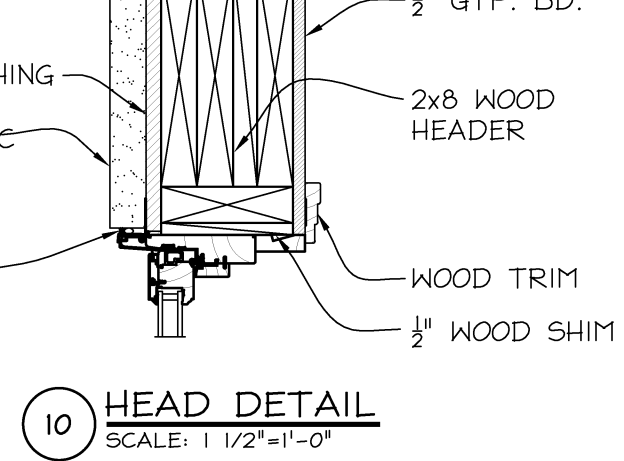
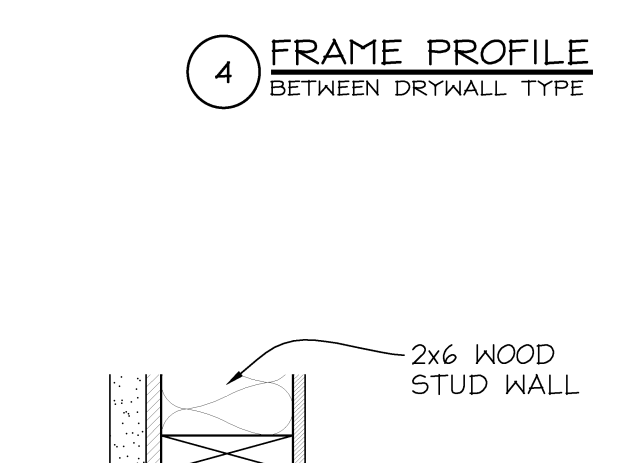
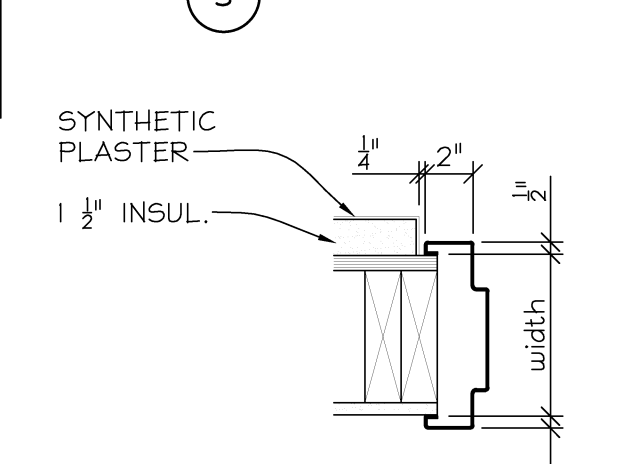
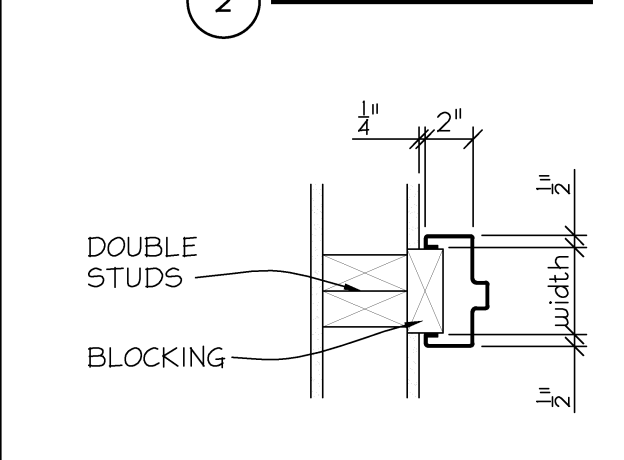
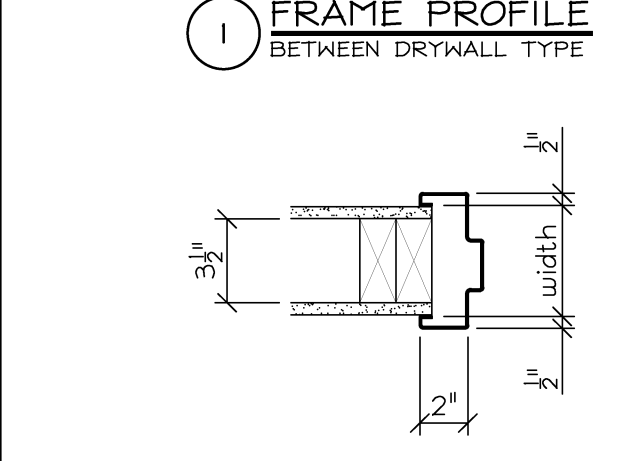
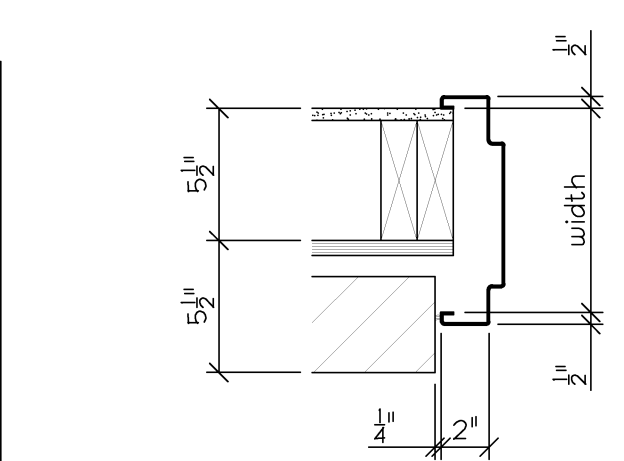
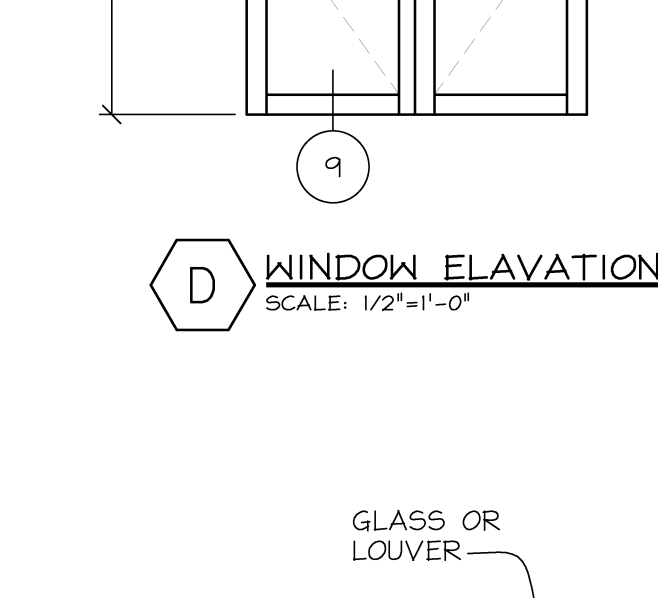
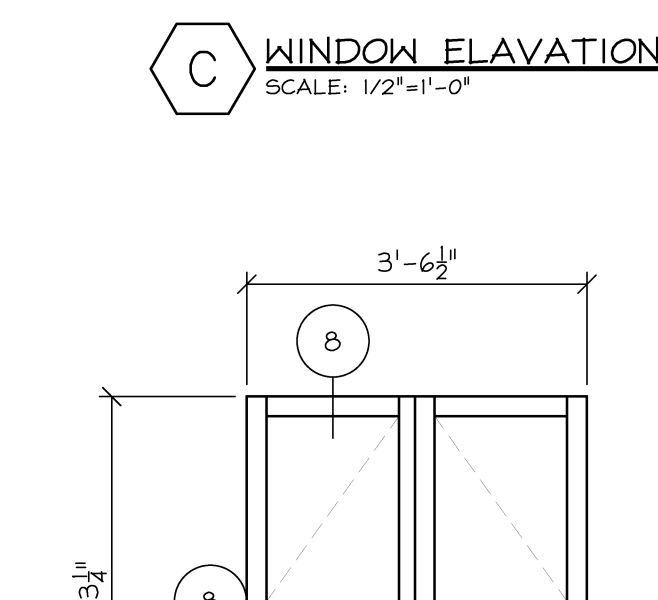
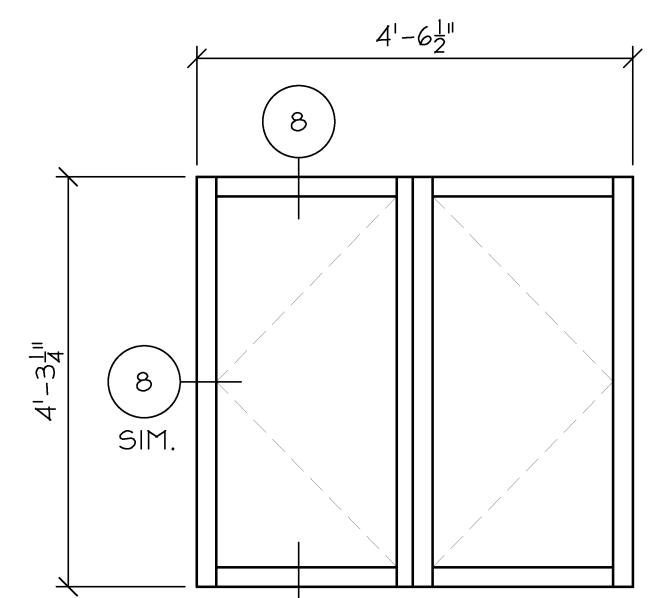
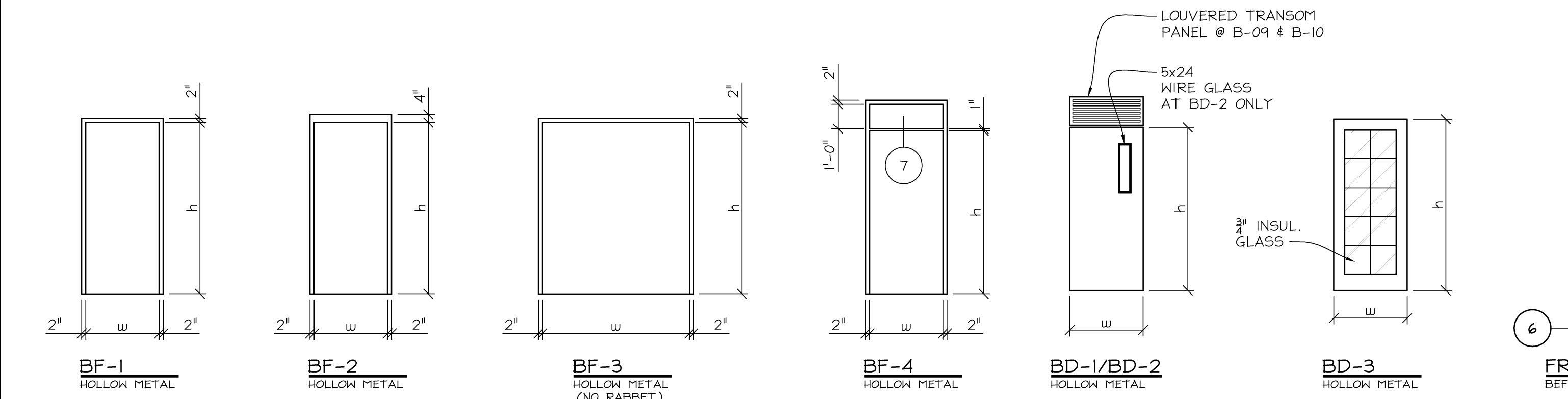
LINTEL TYPES		
TYPE	DESCRIPTION	REMARKS
<b>BUILDING "A"</b>		
AL-1	3 - 2x8 w/SPACER	PROVIDE BLOCKING TO CREATE ARCH
AL-2	3 - 2x8 w/SPACER	
AL-3	3 - 2x10 w/SPACER	
AL-4	3 - 2x10 w/SPACER	
<b>BUILDING "B"</b>		
BL-1	8" CHANNEL	METAL BLDG. COMPONENT
BL-2	8" LINTEL BLOCK w/ 2 - #4	
BL-3	6" LINTEL BLOCK w/ 1 - #4	

BLDG. "A" HARDWARE TYPES		
HWDR SET NO.	DESCRIPTION	REMARKS
AH-1	6 HINGES DOOR A - ACTIVE 1 DEAD BOLT 1 CLOSER 1 PUSH/PULL SET DOOR B - INACTIVE 1 TOP BOLT 1 BTM. BOLT 1 CLOSER 1 PUSH/PULL SET 1 THRESHOLD 1 WEATHER STRIPPING SET	
AH-2	3 HINGES 1 PRIVACY LOCK 1 CLOSER	
AH-3	3 HINGES 1 CLASSROOM LOCK 1 CLOSER	
AH-4	6 HINGES DOOR A - ACTIVE 1 CLASSROOM LOCK 1 FLOOR STOP DOOR B - INACTIVE 1 TOP BOLT 1 BTM. BOLT 1 DUBBY TRIM	
AH-5	3 HINGES 1 CLASSROOM LOCK 1 WALL STOP	
AH-6	3 HINGES 1 OFFICE LOCK 1 WALL STOP	
AH-7	3 HINGES 1 PRIVACY LOCK 1 WALL STOP	
AH-8	3 HINGES 1 PASSAGE LATCH 1 WALL STOP	
AH-9	3 HINGES 1 ENTRANCE LOCK 1 CLOSER 1 THRESHOLD 1 WEATHER STRIPPING SET	



BLDG. "B" DOOR/FRAME/HARDWARE SCHEDULE										
OPN'G. #	FIRE RATING	LINTEL TYPE	FRAMES			SIGN	DOORS		HWDR	REMARKS
			TYPE	PROFILE NO.	W		TYPE	SIZE (w) x (h)		
B01	--	BL-1	BF-1	6	10 3/4	-	BD-3	3'-0" x 7'-0"	BH-1	
B02	--	BL-2	BF-2	6	7 3/4	YES	BD-1	3'-0" x 7'-0"	BH-2	
B03	--	BL-2	BF-2	6	7 3/4	YES	BD-1	3'-0" x 7'-0"	BH-2	
B04	--	BL-3	BF-2	6	5 3/4	YES	BD-1	3'-0" x 7'-0"	BH-3	
B05	--	BL-3	BF-2	6	5 3/4	YES	BD-1	3'-0" x 7'-0"	BH-3	
B06	--	BL-1	BF-1	6	10 3/4	-	BD-1	3'-0" x 7'-0"	BH-1	
B07	--	BL-2	BF-2	6	7 3/4	YES	BD-2	3'-0" x 7'-0"	BH-4	
B08	--	BL-3	BF-2	6	5 3/4	YES	BD-1	3'-0" x 7'-0"	BH-5	
B09	--	BL-3	BF-4	6/7	5 3/4	YES	BD-1	3'-0" x 6'-8"	BH-6	LOUVERED TRANSOM PANEL
B10	--	BL-3	BF-4	6/7	5 3/4	YES	BD-1	3'-0" x 6'-8"	BH-6	LOUVERED TRANSOM PANEL
B11	--	BL-1	BF-1	6	10 3/4	-	BD-1	3'-0" x 7'-0"	BH-1	
B12	--	BL-1	BF-1	6	10 3/4	-	BD-1	3'-0" x 7'-0"	BH-1	
B13	--	BL-1	BF-3	5	10 3/4	-	OHD	12'-0" x 12'-0"	BH-8	OVERHEAD DOOR
B14	--	BL-1	BF-3	5	10 3/4	-	OHD	12'-0" x 12'-0"	BH-8	OVERHEAD DOOR
B15	--	BL-1	BF-3	5	10 3/4	-	OHD	12'-0" x 12'-0"	BH-8	OVERHEAD DOOR
B16	--	BL-2	BF-2	6	7 3/4	YES	BD-2	3'-0" x 7'-0"	BH-7	
B17	--	BL-2	BF-2	6	7 3/4	YES	BD-2	3'-0" x 7'-0"	BH-7	
B18	--	BL-2	BF-2	6	7 3/4	YES	BD-2	3'-0" x 7'-0"	BH-7	
B19	--	BL-1	BF-3	5	10 3/4	-	OHD	12'-0" x 12'-0"	BH-8	OVERHEAD DOOR
B20	--	BL-1	BF-3	5	10 3/4	-	OHD	12'-0" x 12'-0"	BH-8	OVERHEAD DOOR
B21	--	BL-1	BF-3	5	10 3/4	-	OHD	12'-0" x 12'-0"	BH-8	OVERHEAD DOOR
B22	--	BL-2	BF-2	6	7 3/4	-	BD-2	3'-0" x 7'-0"	BH-1	

BLDG. "B" HARDWARE TYPES		
HWDR SET NO.	DESCRIPTION	REMARKS
BH-1	3 HINGES 1 ENTRANCE LOCK 1 CLOSER 1 THRESHOLD 1 WEATHER STRIPPING SET	
BH-2	3 HINGES 1 CLASSROOM LOCK 1 CLOSER	
BH-3	3 HINGES 1 CLASSROOM LOCK 1 CLOSER	
BH-4	3 HINGES 1 OFFICE LOCK 1 CLOSER 1 THRESHOLD 1 WEATHER STRIPPING SET	
BH-5	3 HINGES 1 OFFICE LOCK 1 WALL STOP	
BH-6	3 HINGES 1 OFFICE LOCK 1 WALL STOP	
BH-7	3 HINGES 1 PRIVACY LOCK 1 WALL STOP	
BH-8	1 DOUBLE CYLINDER	PROVIDE FOR OVERHEAD DOOR



**SCHEDULES BLDG. "A" & BLDG. "B"**

**castleberry megregor swinford**  
ARCHITECTS

BENTON GAS MAINTENANCE/STORAGE BLDG. Project No. 342-10

**A-10**  
of  
DATE 6/15/10