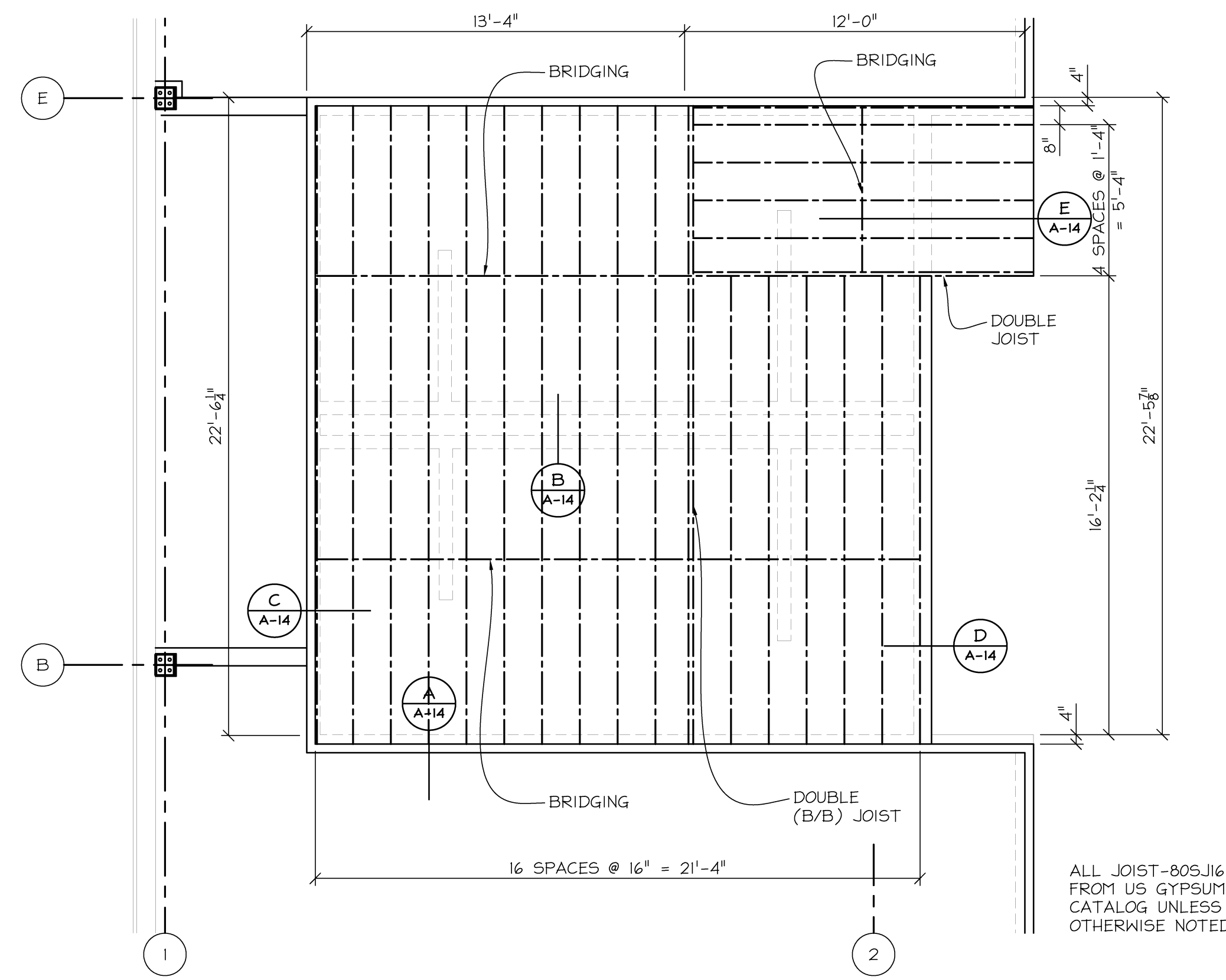
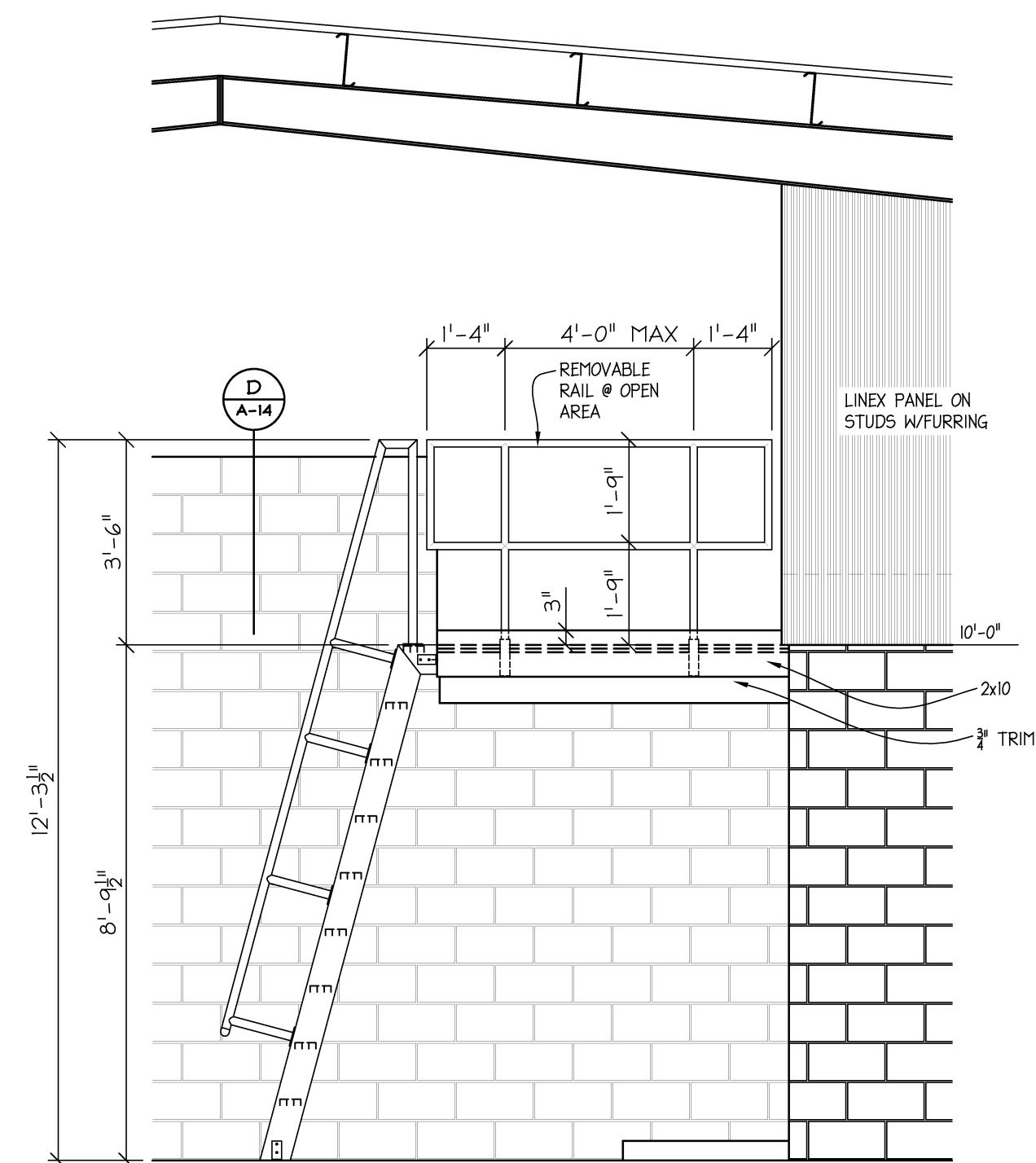




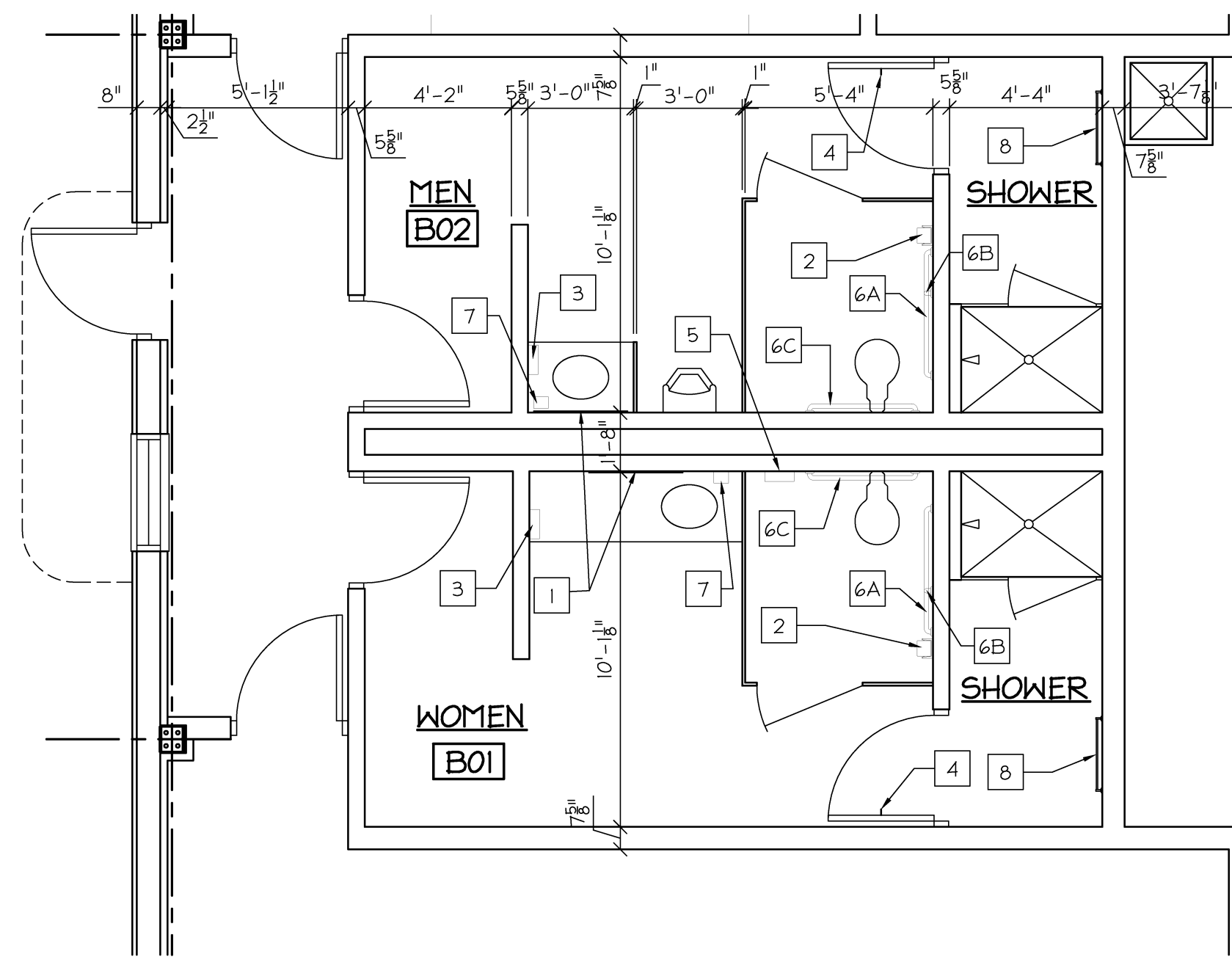
MEZZANINE PLAN
SCALE: 1/4"=1'-0"



MEZZANINE FRAMING PLAN
SCALE: 1/4"=1'-0"



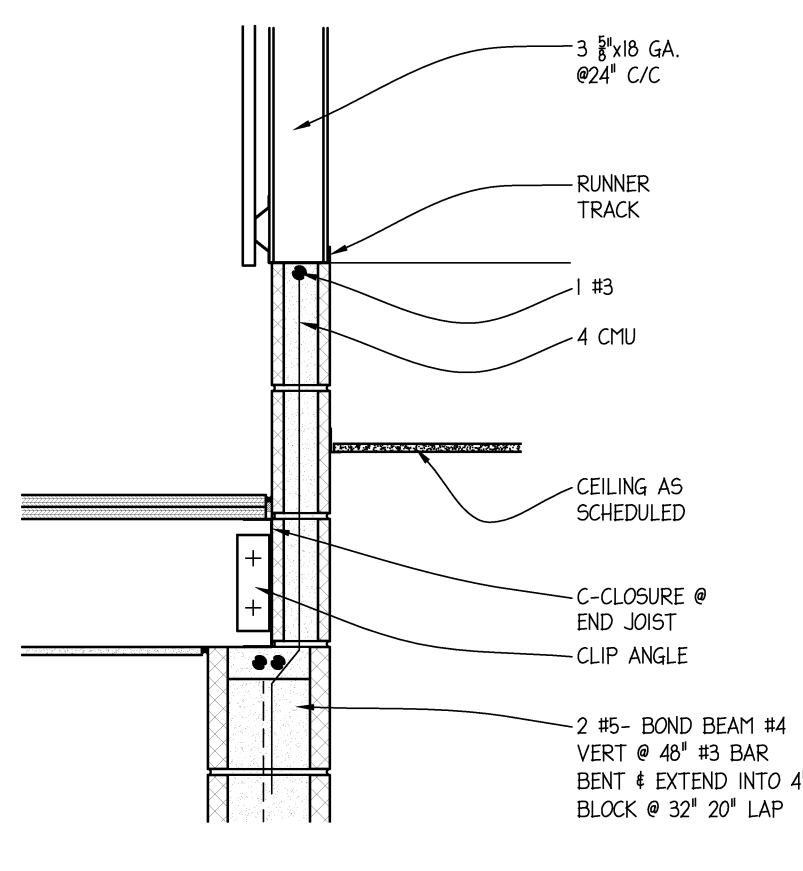
MEZZANINE ELEVATION
SCALE: 3/8"=1'-0"
SHIP LADDER SEE SPEC.



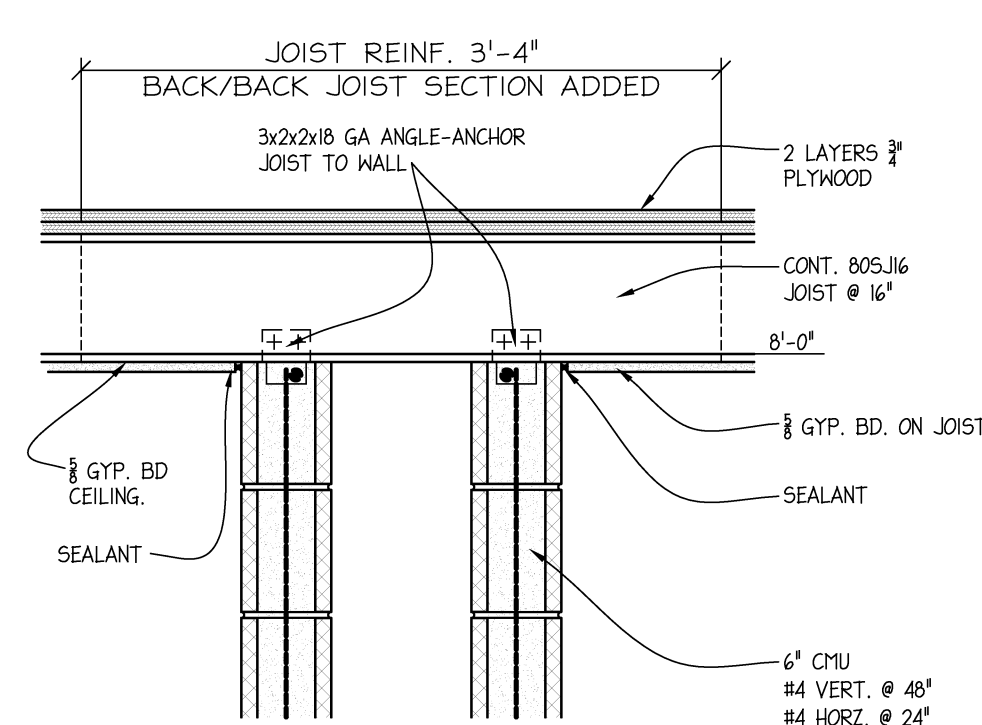
ENLARGED RESTROOM PLAN
SCALE: 1/4"=1'-0"

TOILET ACCESSORIES SCHEDULE BLDG. "B"

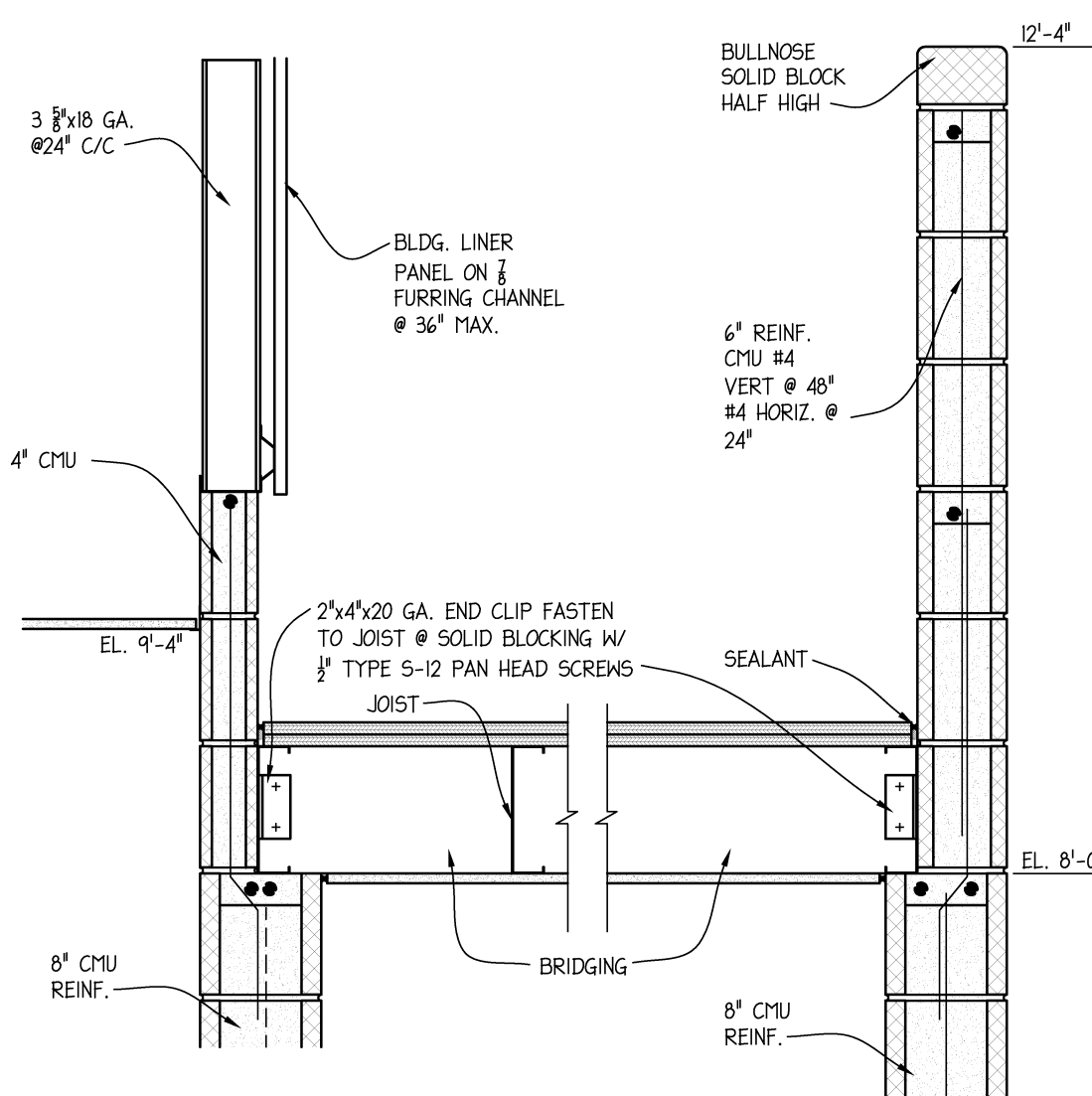
MARK	DESCRIPTION	MOUNTING
1	MIRROR 32"Wx36"H	MOUNT ON WALL BOTTOM @ 40" A.F.F.
2	TOILET TISSUE DISPENSER	SURFACE MOUNT
3	PAPER TOWEL DISPENSER	SURFACE MOUNT
4	UTILITY HOOK	MOUNT ON DOOR @ 72" A.F.F.
5	SANITARY NAPKIN DISPOSAL	SURFACE MOUNT
6A	42" HORIZ. GRAB BAR	SEE HANDICAP TOILET DETAILS
6B	18" VERT. GRAB BAR	SEE HANDICAP TOILET DETAILS
6C	36" HORIZ. GRAB BAR	SEE HANDICAP TOILET DETAILS
7	SOAP DISPENSER	WALL MOUNT ABOVE BACKSPASH
8	24" TOWEL BAR	WALL MOUNT AT 42" HIGH



A-14 DETAIL
SCALE: 1"=1'-0"

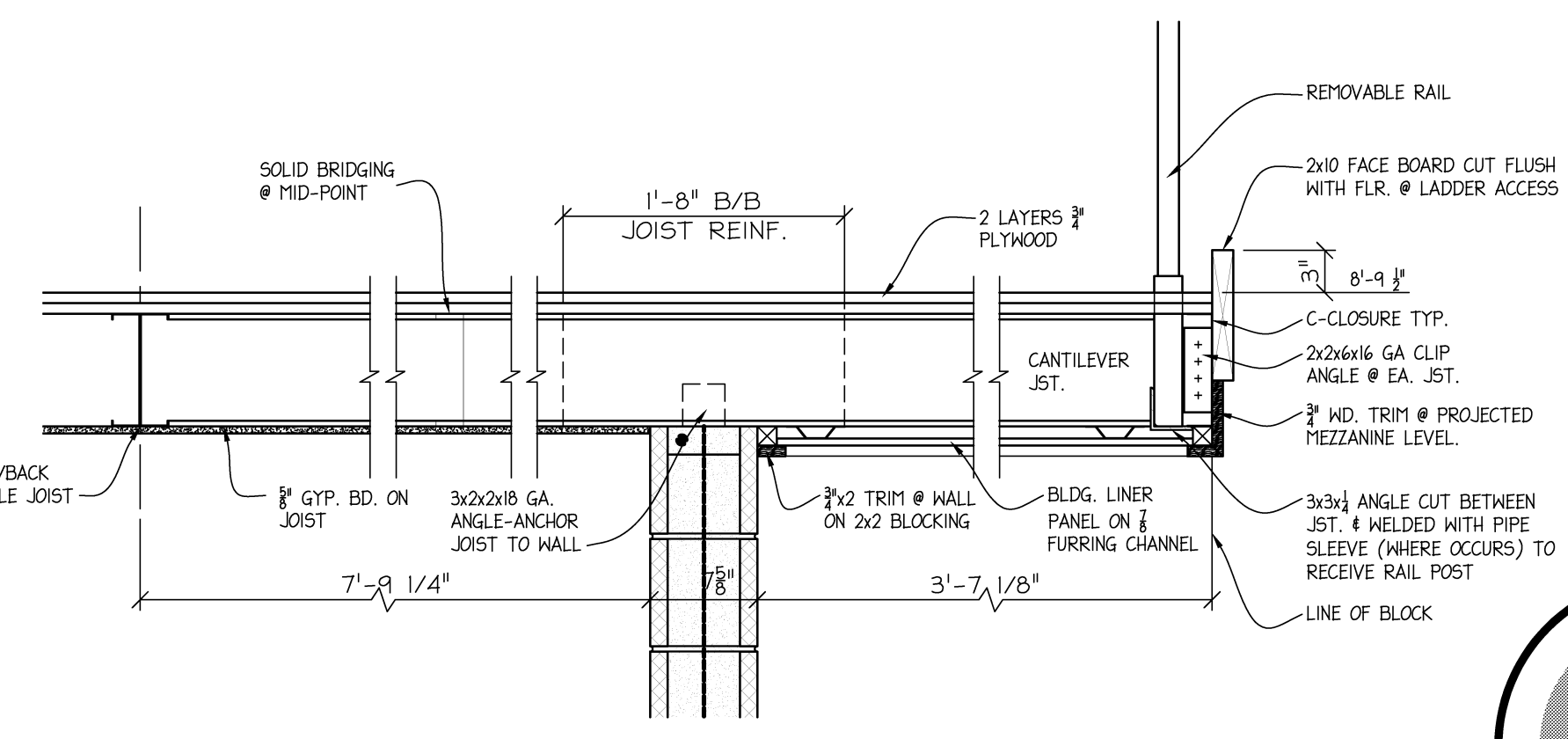


B-14 DETAIL
SCALE: 1"=1'-0"



C-14 DETAIL
SCALE: 1"=1'-0"

D-14 DETAIL
SCALE: 1"=1'-0"



E-14 DETAIL
SCALE: 1"=1'-0"

MEZZANINE PLANS & DETAILS

castleberry megregor swinford
ARCHITECTS

A-14
of

DATE: 6/15/10

BENTON GAS MAINTENANCE/STORAGE BLDG. Project No. 342-10