

A

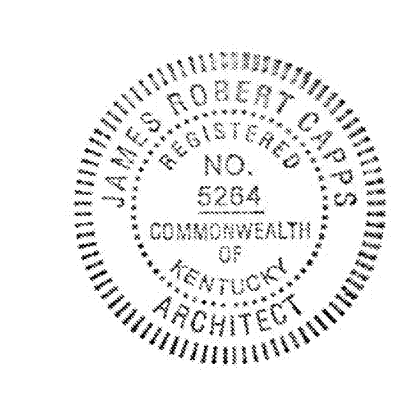
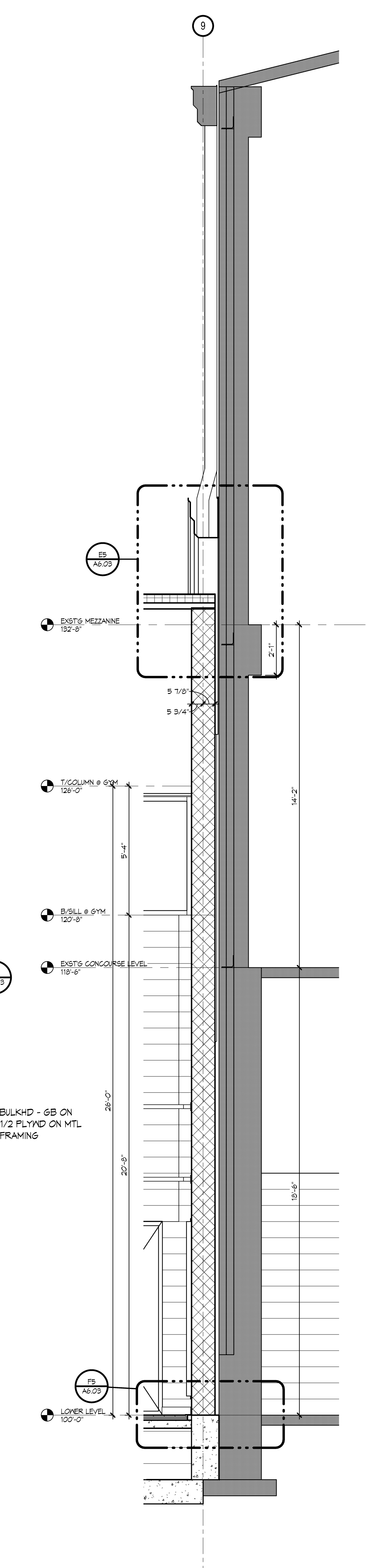
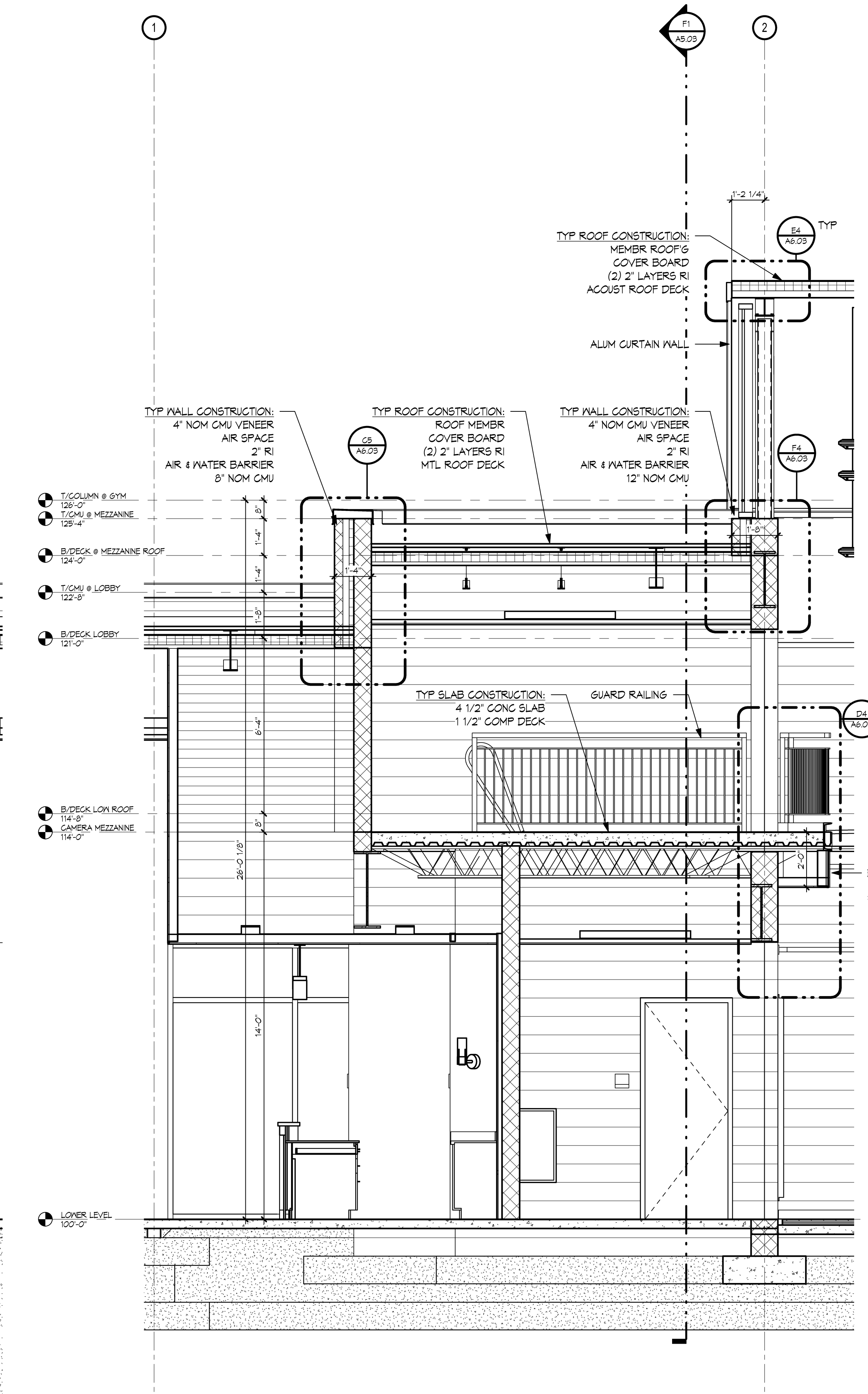
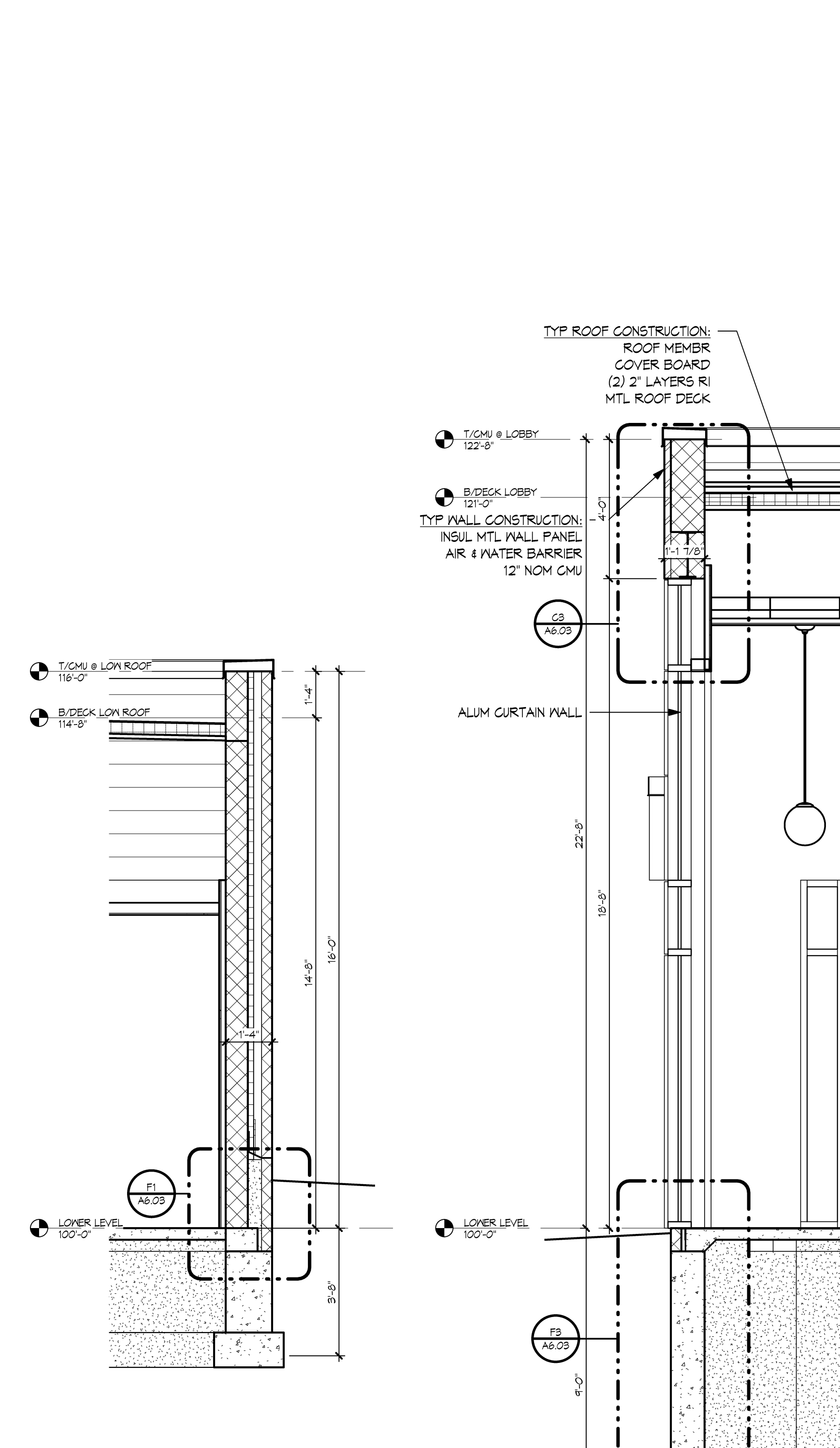
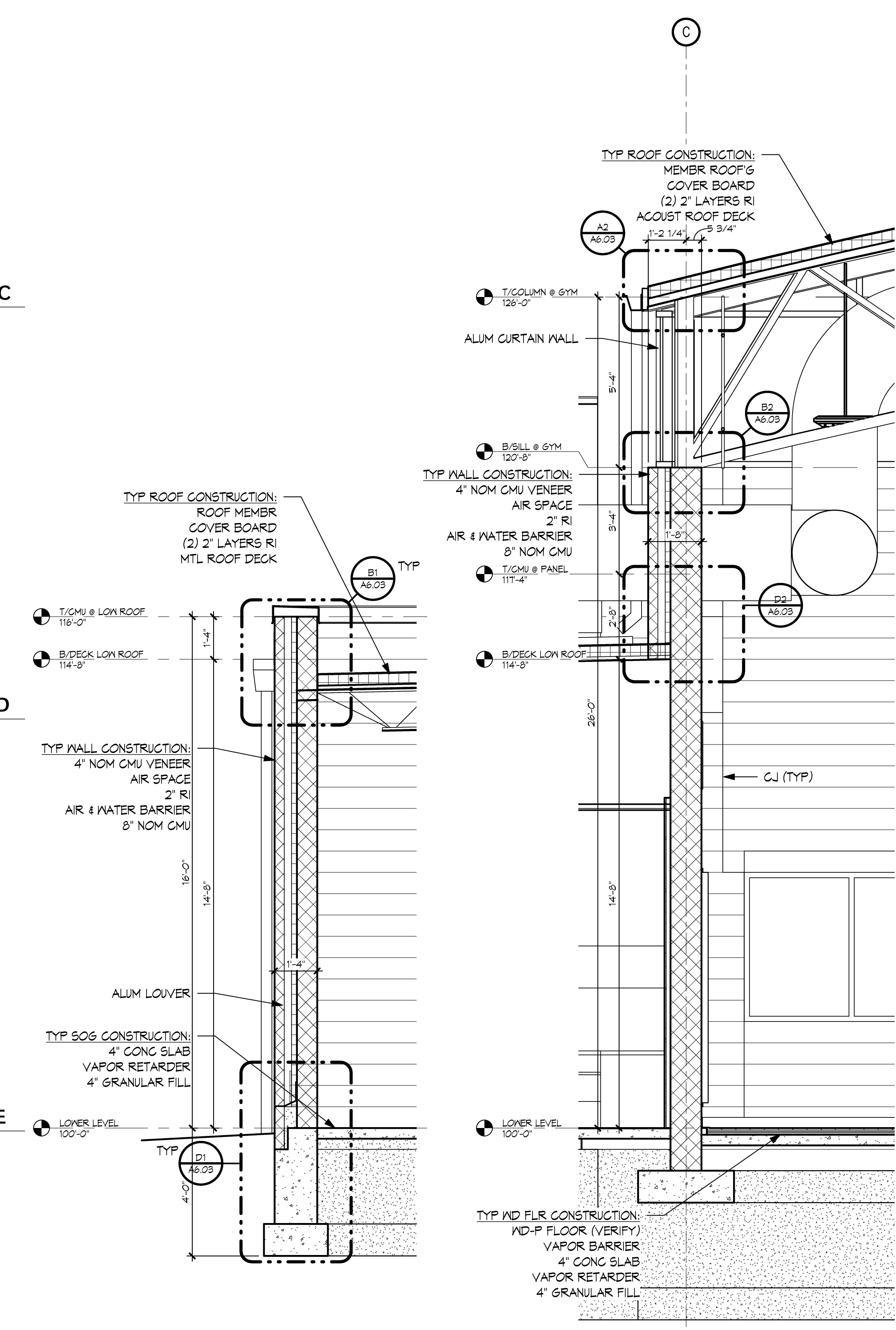
B

C

D

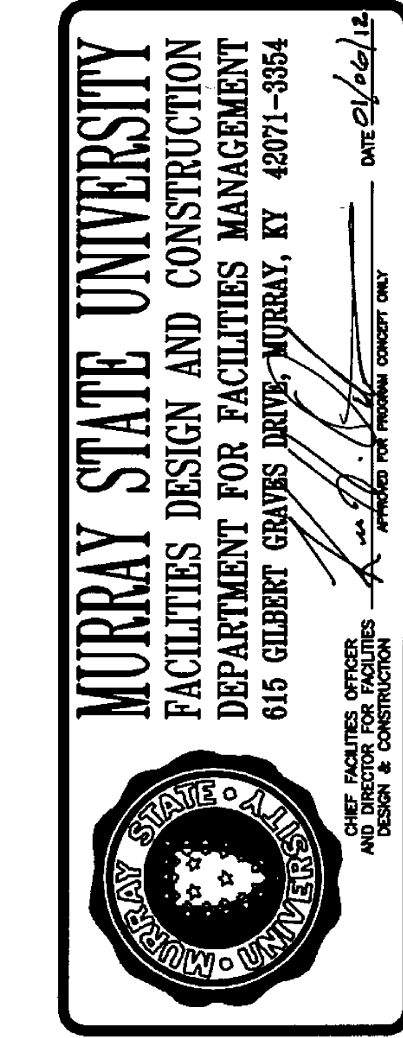
E

F



**Hastings+Chivetta**  
ARCHITECTURE • PLANNING • ENGINEERING  
6277 Enterprise, Suite 500 | 3rd Floor, Louisville, Missouri 64511 | Tel: 314.863.5717 | Fax: 314.863.2433 | www.hastingschivetta.com

CIVIL, BACON, FRANKER, WORKMAN ENGINEERING & TESTING, INC., 1715 DUGGID DRIVE, MURRAY, KENTUCKY 42071  
STRUCTURAL ENGINEERING & TESTING, INC., 465 N. COURT ST., WARREN, ILLINOIS 62259  
MPE-MARCUM ENGINEERING, LLC, 580 SOUTH 17TH STREET, PADUCAH, KENTUCKY, 40301



**SPORTS PRACTICE FACILITY**  
MURRAY STATE UNIVERSITY  
MURRAY, KENTUCKY  
BID SET - 2012-01-04



REVISIONS

Date	2012-01-04
H+C Project No	2983.00
FDC Project No	10-007
BFW Project No	11194
Marcum Project No	11557
Sheet Name	WALL SECTIONS

**A5.01**

C:\Users\johle\Documents\Projects\2983.00 SP-2012\_cohirent  
1/6/2012 3:57:12 PM