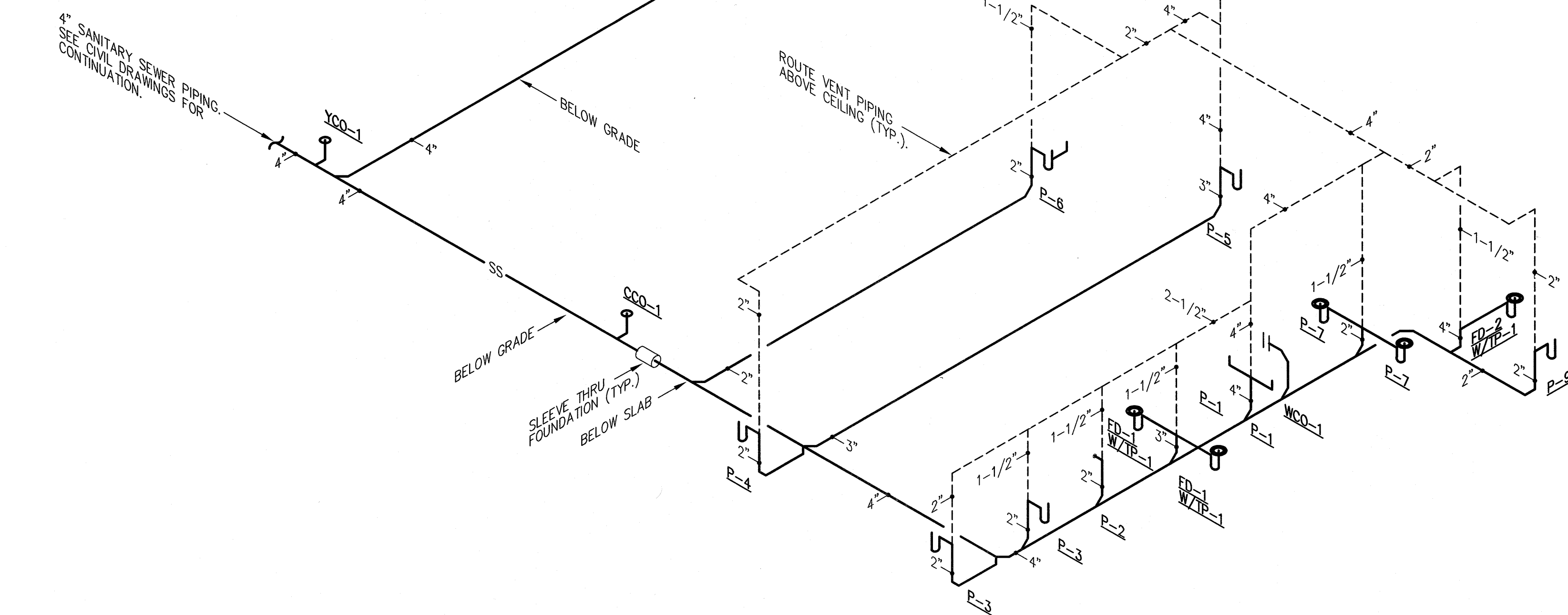


DWV DIAGRAM - BLDG. A
NO SCALE



DWV DIAGRAM - BLDG. B
NO SCALE

MARCUM ENGINEERING, LLC
500 SOUTH 17th STREET - PADUCAH, KENTUCKY 42002-0120
PHONE - 270.444.9274 FAX - 270.443.1904
COPYRIGHT © 2010 MARCUM ENGINEERING, LLC

PLUMBING DWV DIAGRAMS - BLDG. A AND BLDG. B

castleberry megregor swinford
ARCHITECTS

BENTON GAS SYSTEM

P-4
of 6
DATE
10/01/10
Project No. 10560