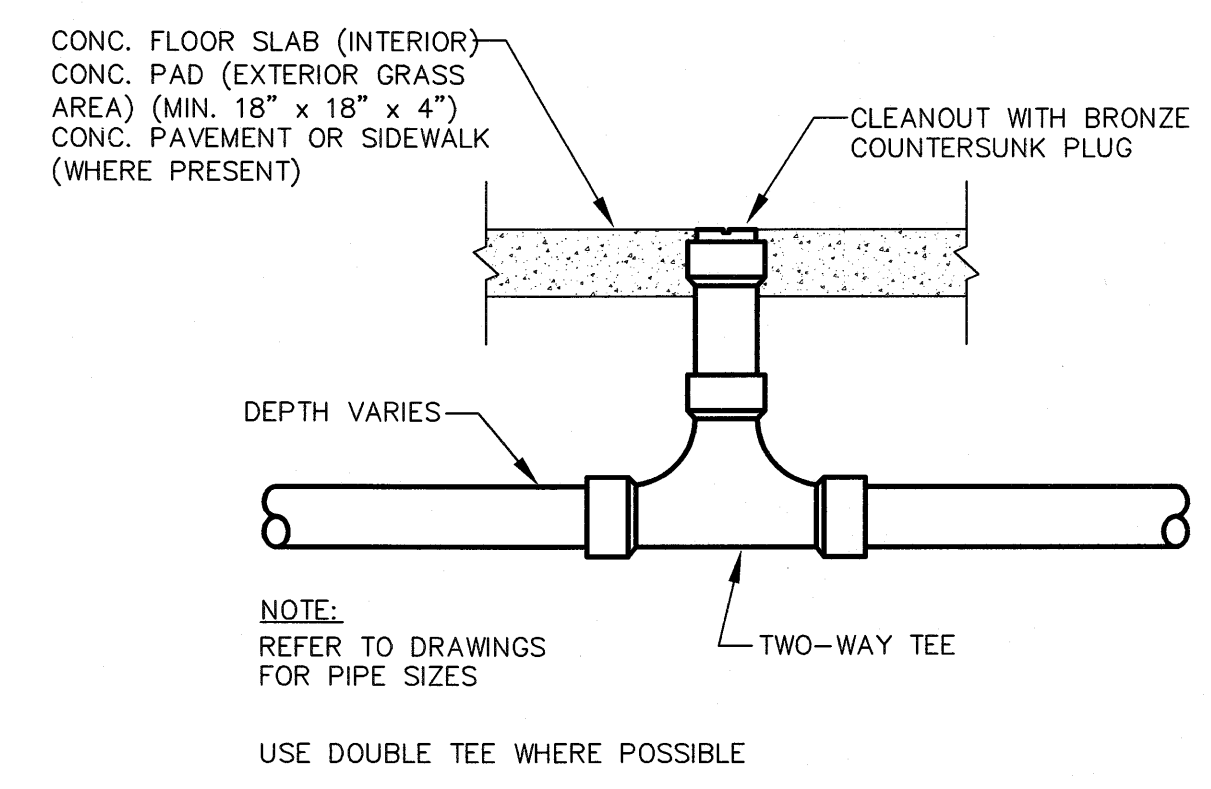
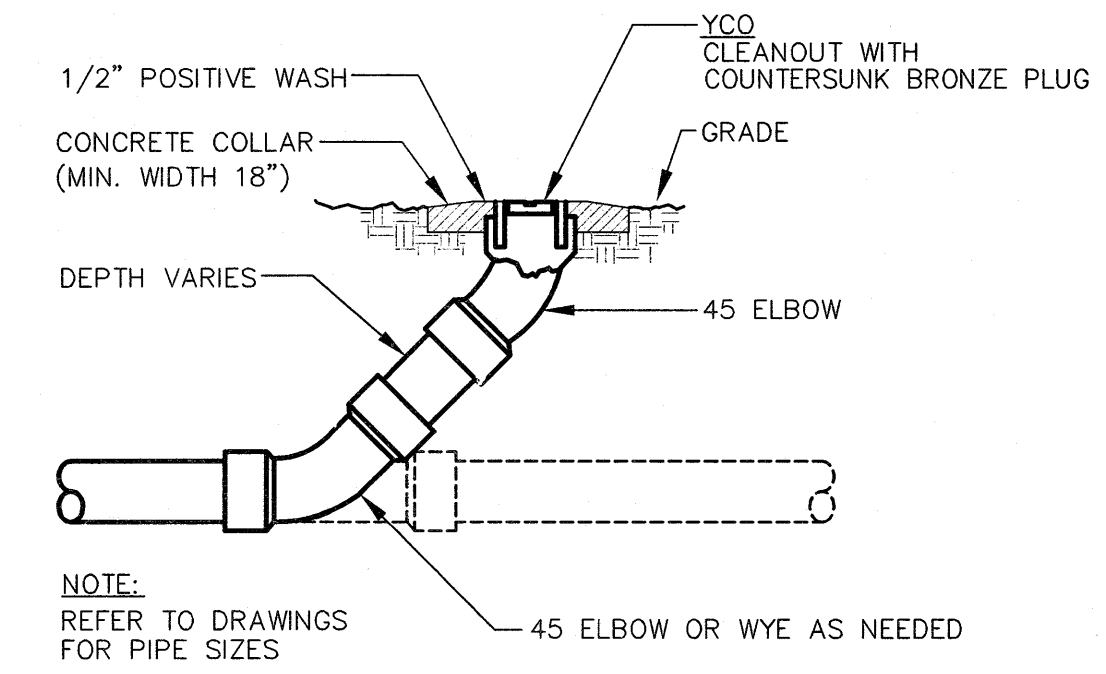


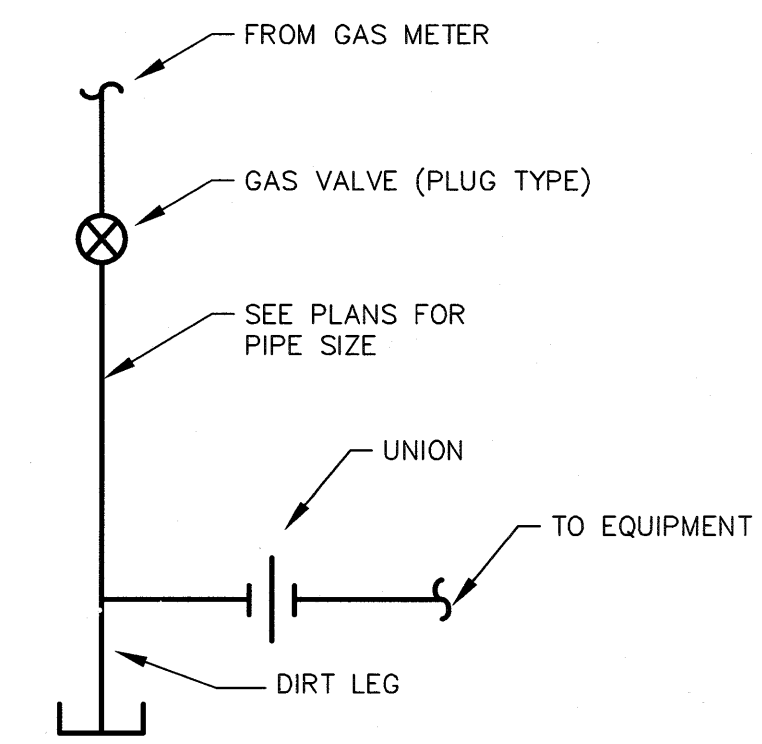
1 COMBINATION TEST TEE AND CLEANOUT DETAIL
 P-2 NO SCALE
 P-3



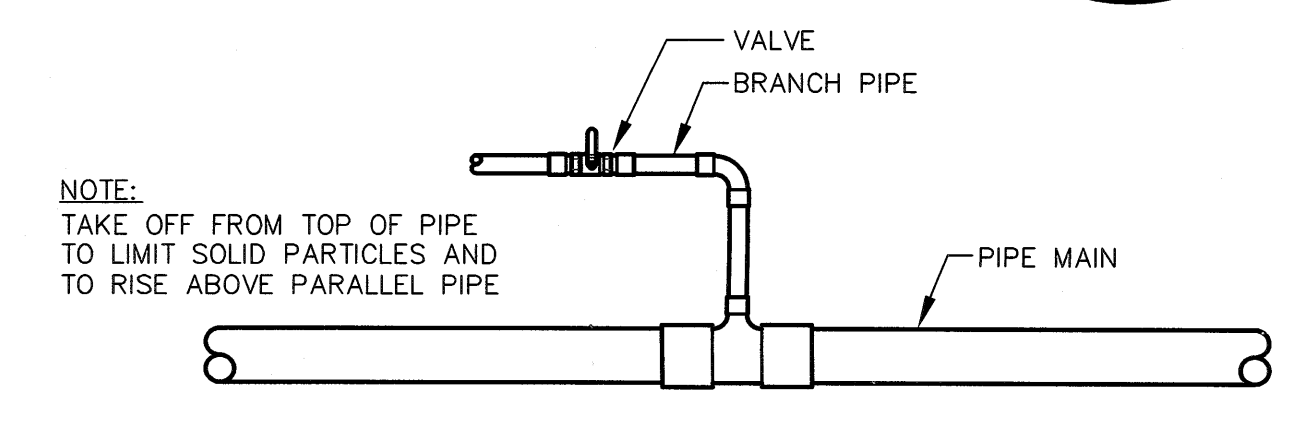
2 CLEANOUT DETAIL
 P-2 NO SCALE
 P-3



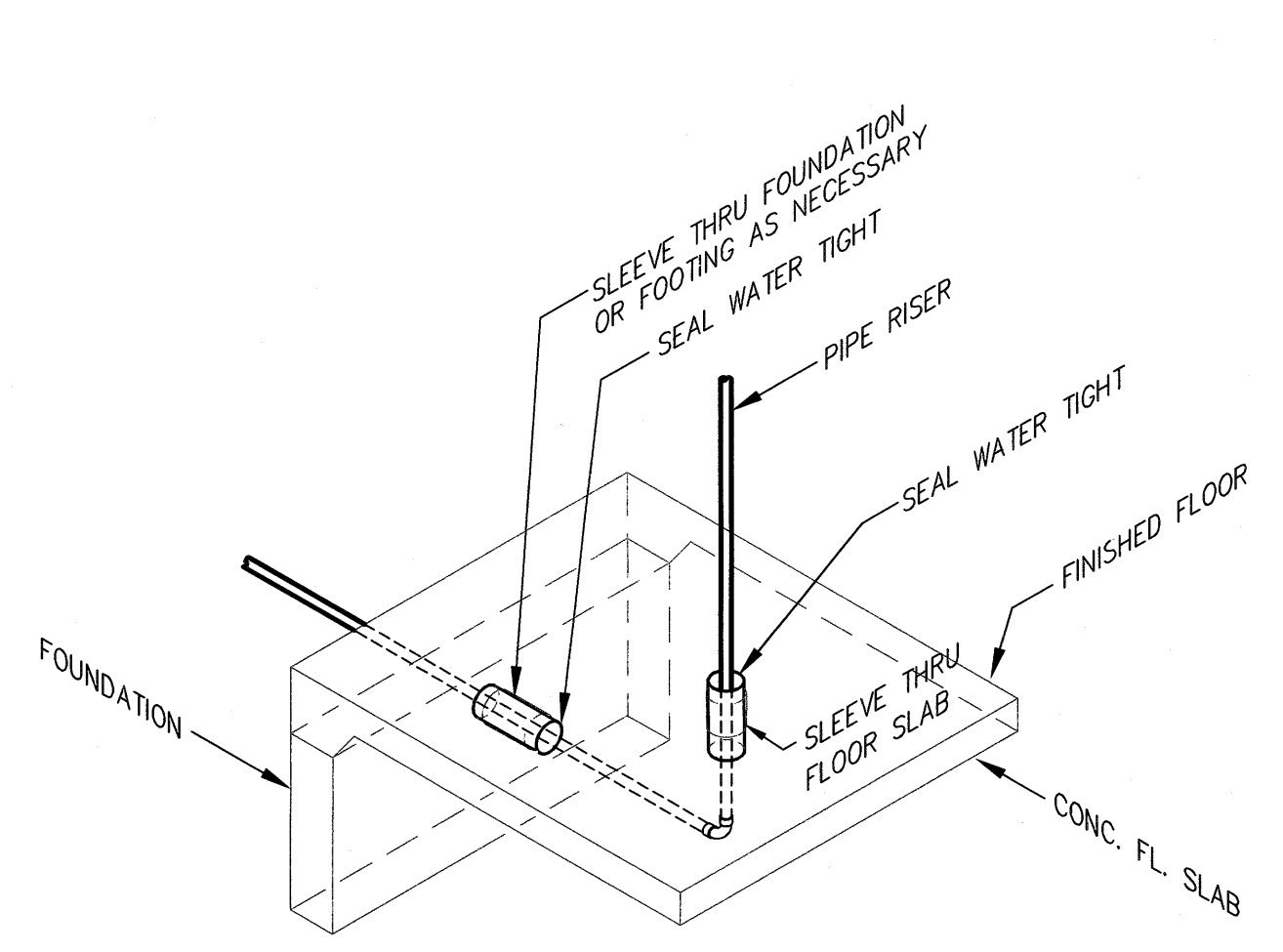
3 YARD CLEANOUT DETAIL
 U-1 NO SCALE



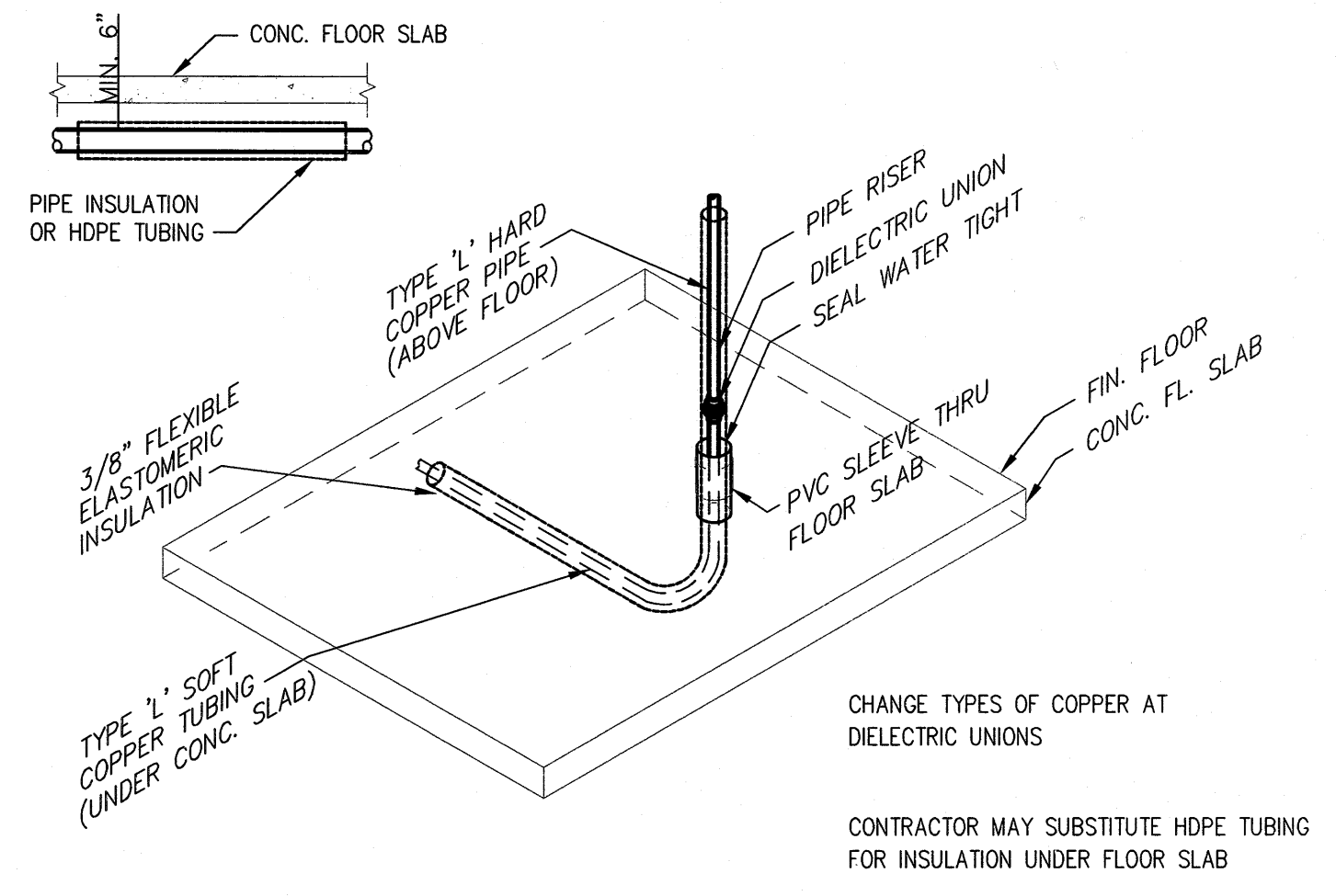
4 GAS CONNECTION DETAIL
 P-2 NO SCALE
 P-3



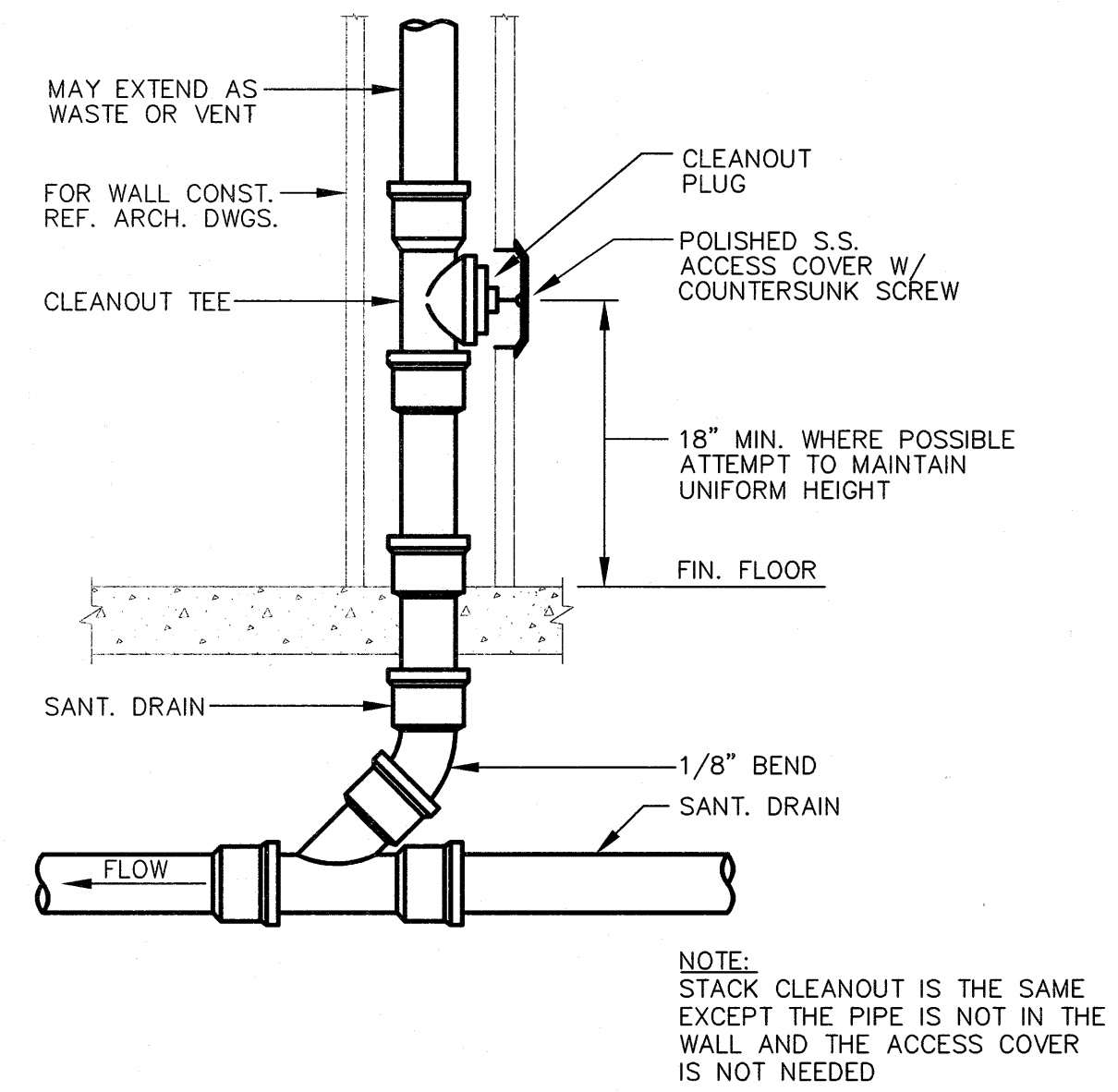
5 PIPE TAKE OFF DETAIL
 P-2 NO SCALE
 P-3



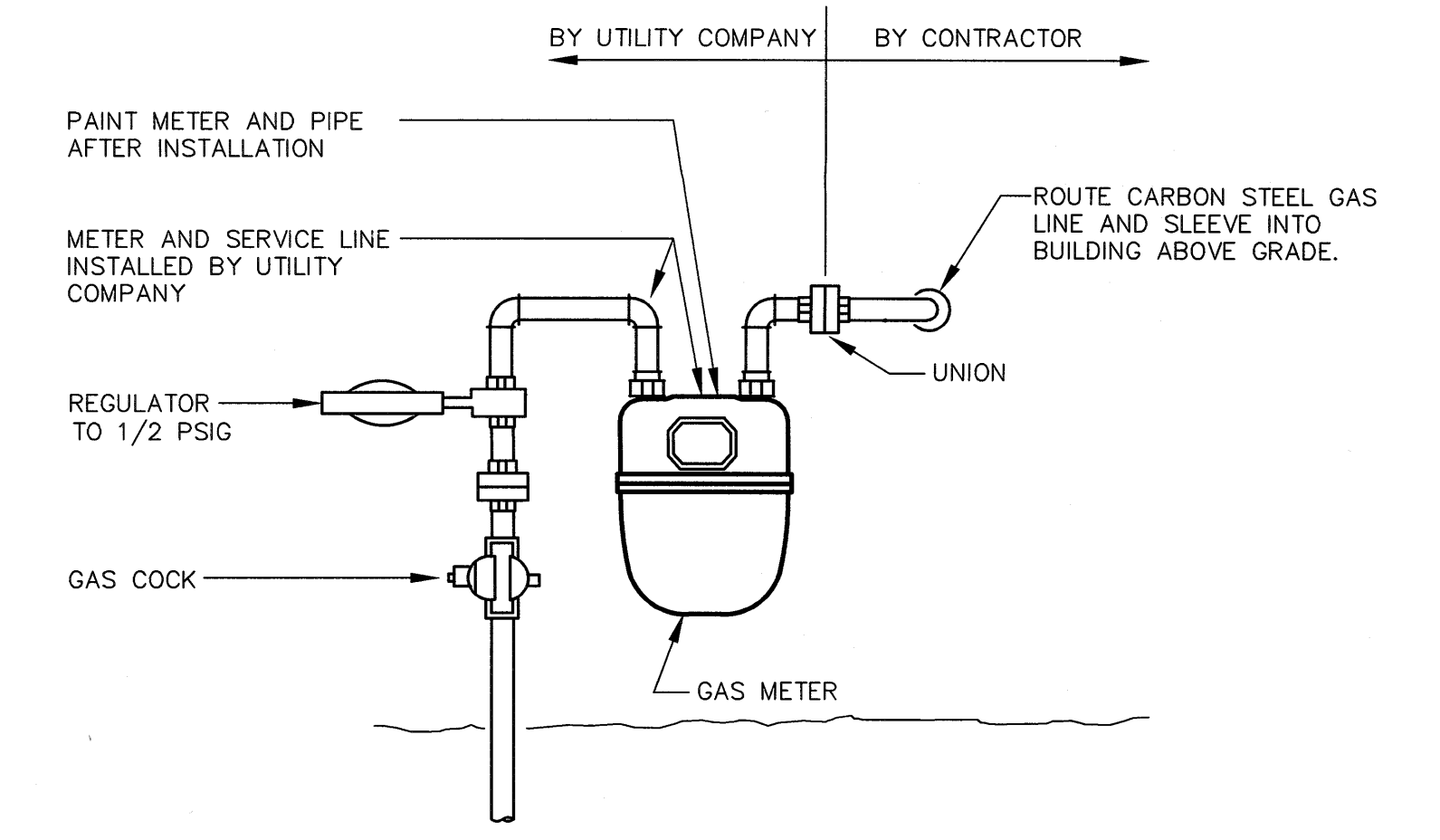
6 PIPE PENETRATION DETAIL
 P-2 NO SCALE
 P-3



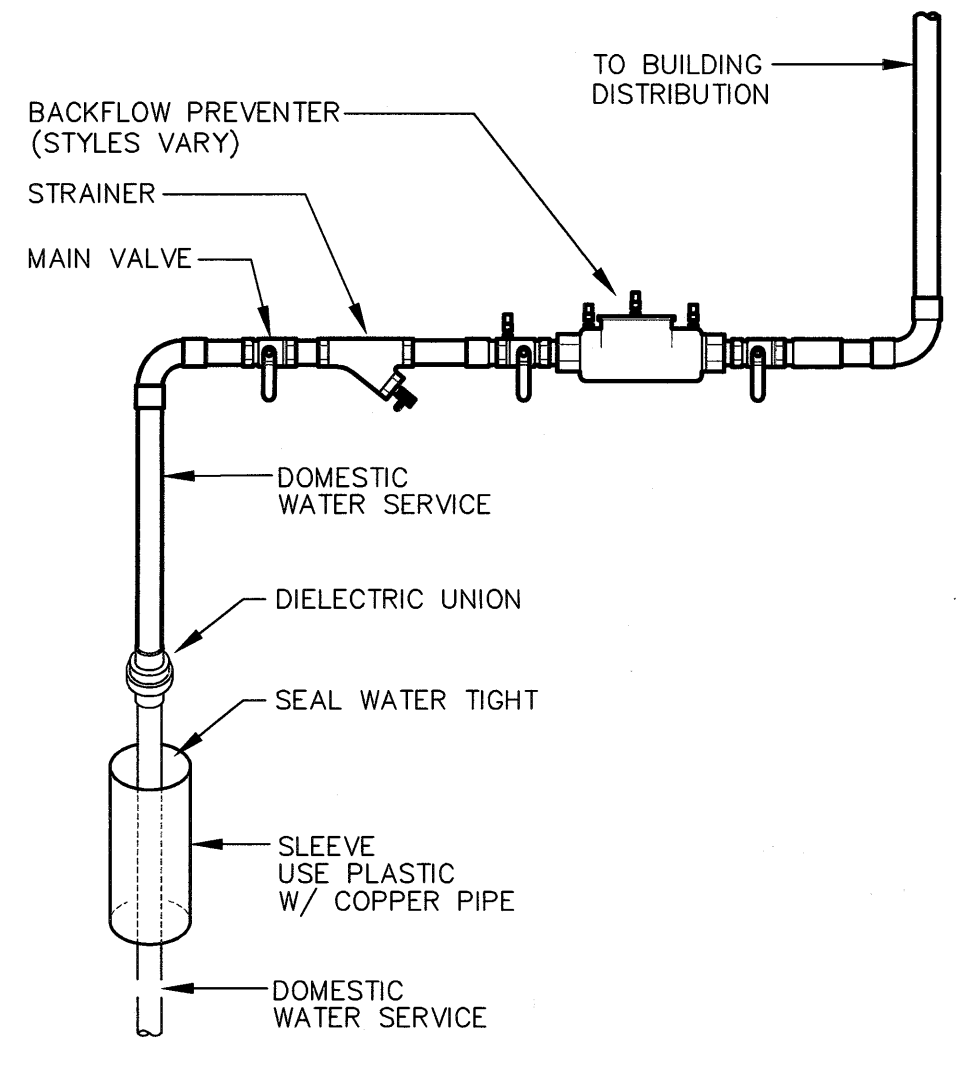
7 DOMESTIC WATER PIPE UNDER FLOOR SLAB DETAIL
 P-2 NO SCALE
 P-3



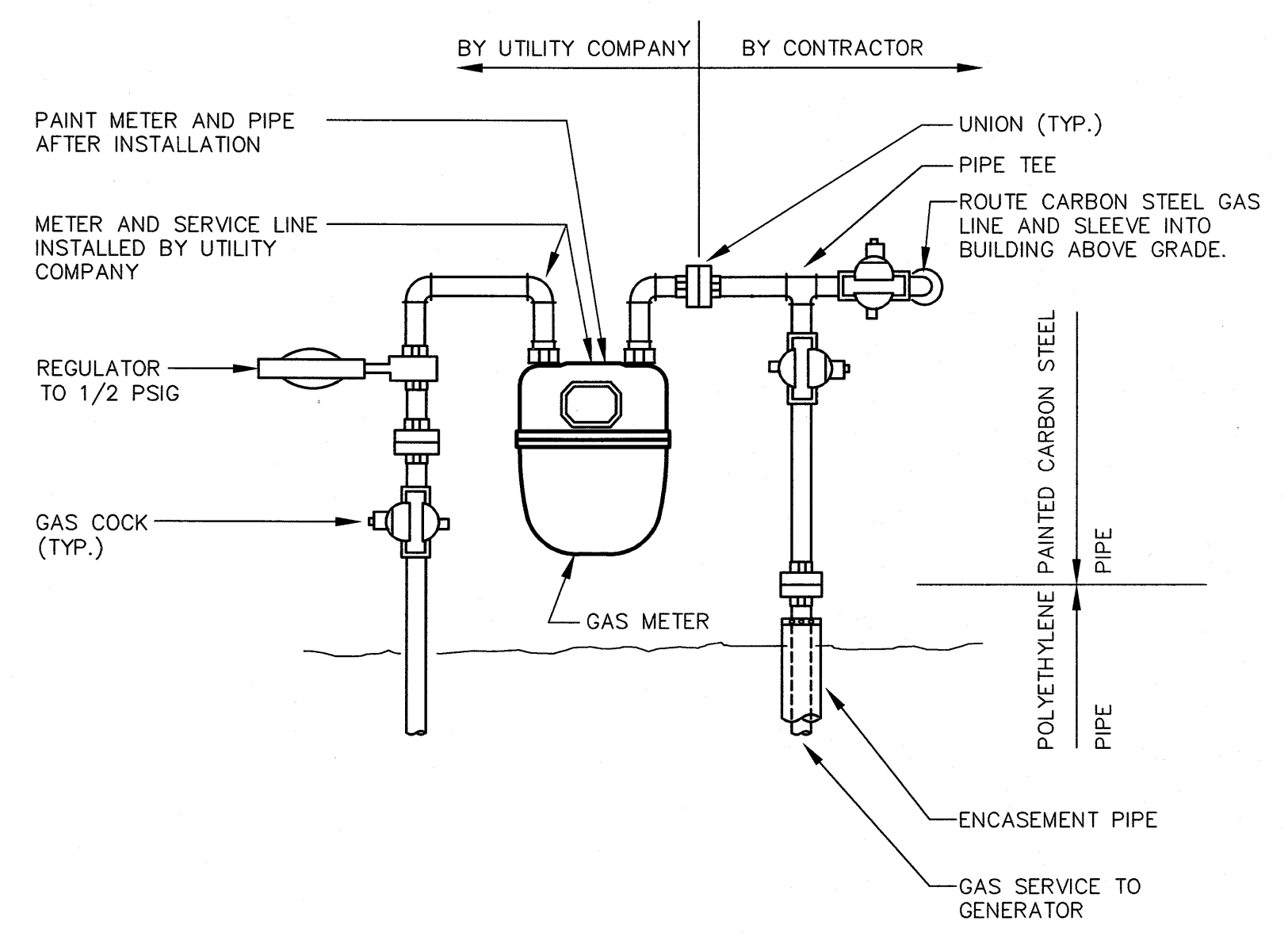
8 WALL CLEANOUT DETAIL
 P-2 NO SCALE
 P-3



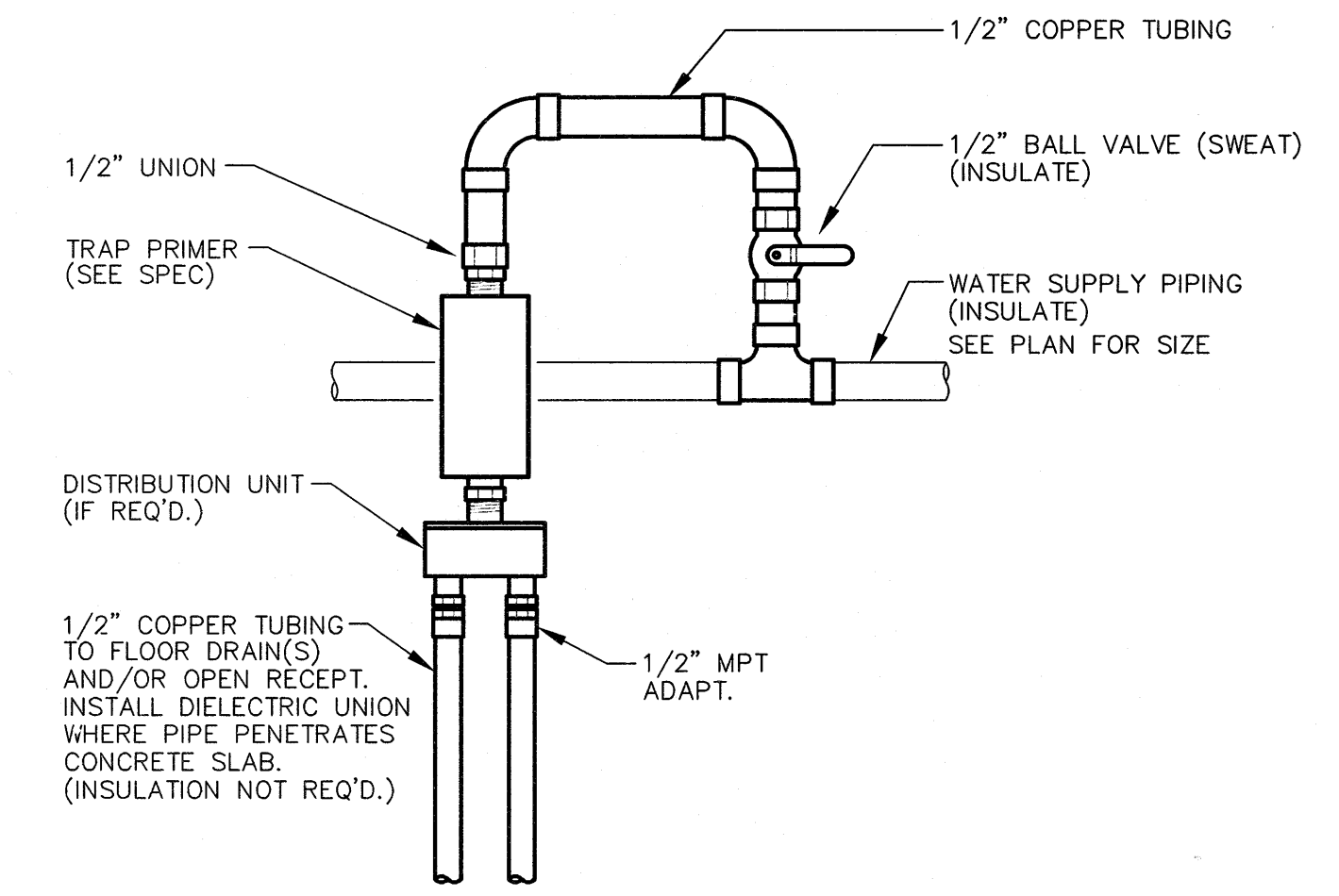
9 GAS METER DETAIL (BLDG. A)
 P-2 NO SCALE



10 DOMESTIC WATER SERVICE
 P-2 NO SCALE
 P-3



11 GAS METER DETAIL (BLDG. B)
 P-3 NO SCALE



12 TRAP PRIMER DETAIL
 P-3 NO SCALE

- TRAP PRIMER NOTES:**
1. TAKE OFF FROM TOP OF PIPE TO LIMIT SOLID PARTICLES ENTERING TRAP PRIMER
 2. TAKE OFF SHALL BE MIN. 12" ABOVE FLOOD LEVEL RIM OF FLOOR DRAIN
 3. ALWAYS INSTALL IN ACCESSIBLE AREA
 4. PRIORITY OF TRAP PRIMER LOCATION (IN ORDER)
 - A. MECHANICAL ROOMS
 - B. JANITOR CLOSETS/ROOMS
 - C. ABOVE ACCESSIBLE CEILINGS WHEN HEATED
 - D. IN ACCESSIBLE PLUMBING CHASES
 5. TRAP PRIMER SHALL BE ACCESSIBLE FOR MAINTENANCE. IF THE ABOVE LOCATIONS ARE NOT PRACTICAL, LOCATE PRIMER IN AN INTERIOR WALL AND FURNISH AND INSTALL A PAINTABLE STEEL, KEY LOCKED ACCESS DOOR WITH FRAME.

MARCUM ENGINEERING, LLC
 500 SOUTH 17th STREET - PADUCAH, KENTUCKY 42002-0120
 PHONE - 270.444.9274 FAX - 270.443.1904
© 2010 MARCUM ENGINEERING, LLC

castleberry megregor swinford ARCHITECTS
 PLUMBING DETAILS
 BENTON GAS SYSTEM
 Project No. 10560
 P-5 of 6
 DATE 10/01/10