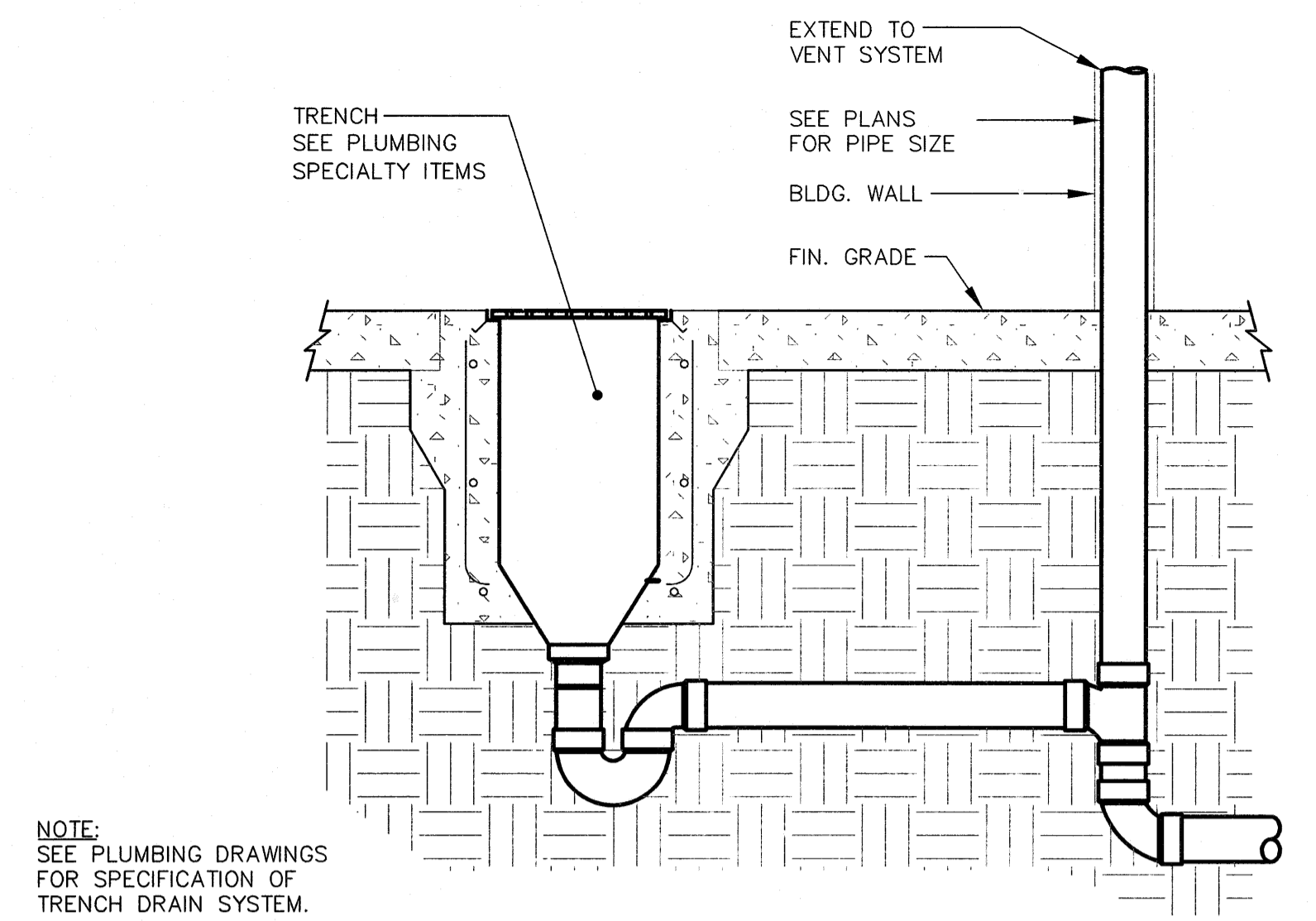
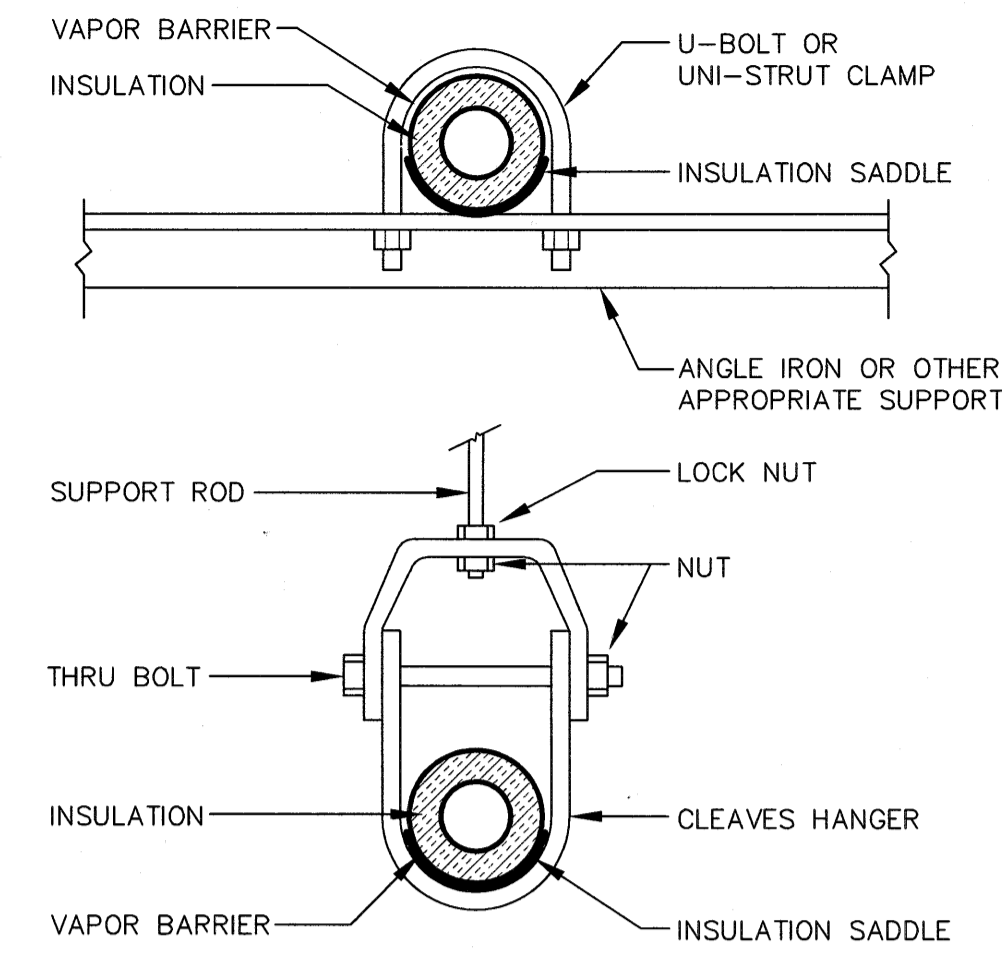


13 INSTANTANEOUS GAS WATER HEATER DETAIL
P-2 NO SCALE
P-3

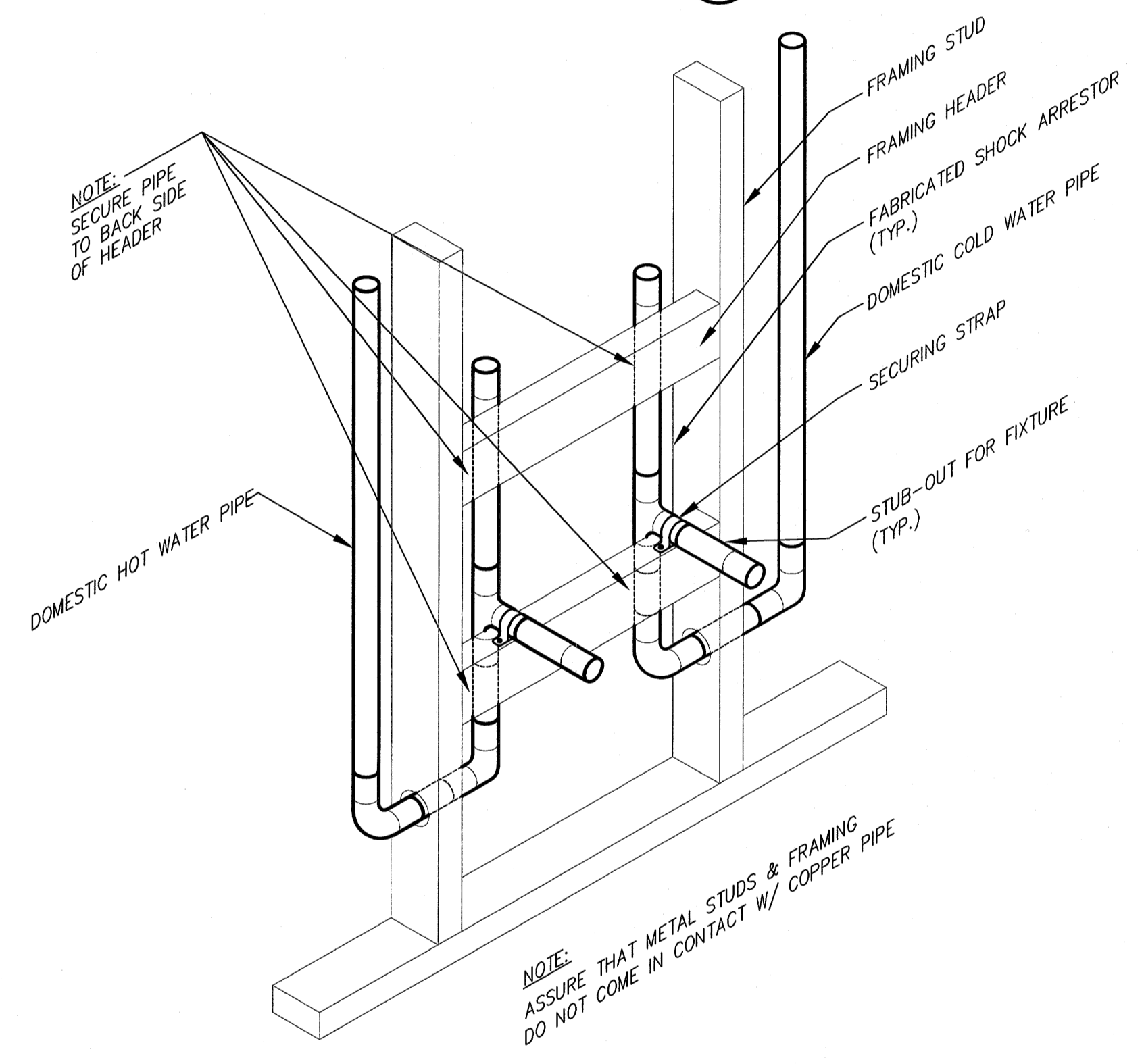


14 TRENCH DRAIN DETAIL
P-3 NO SCALE

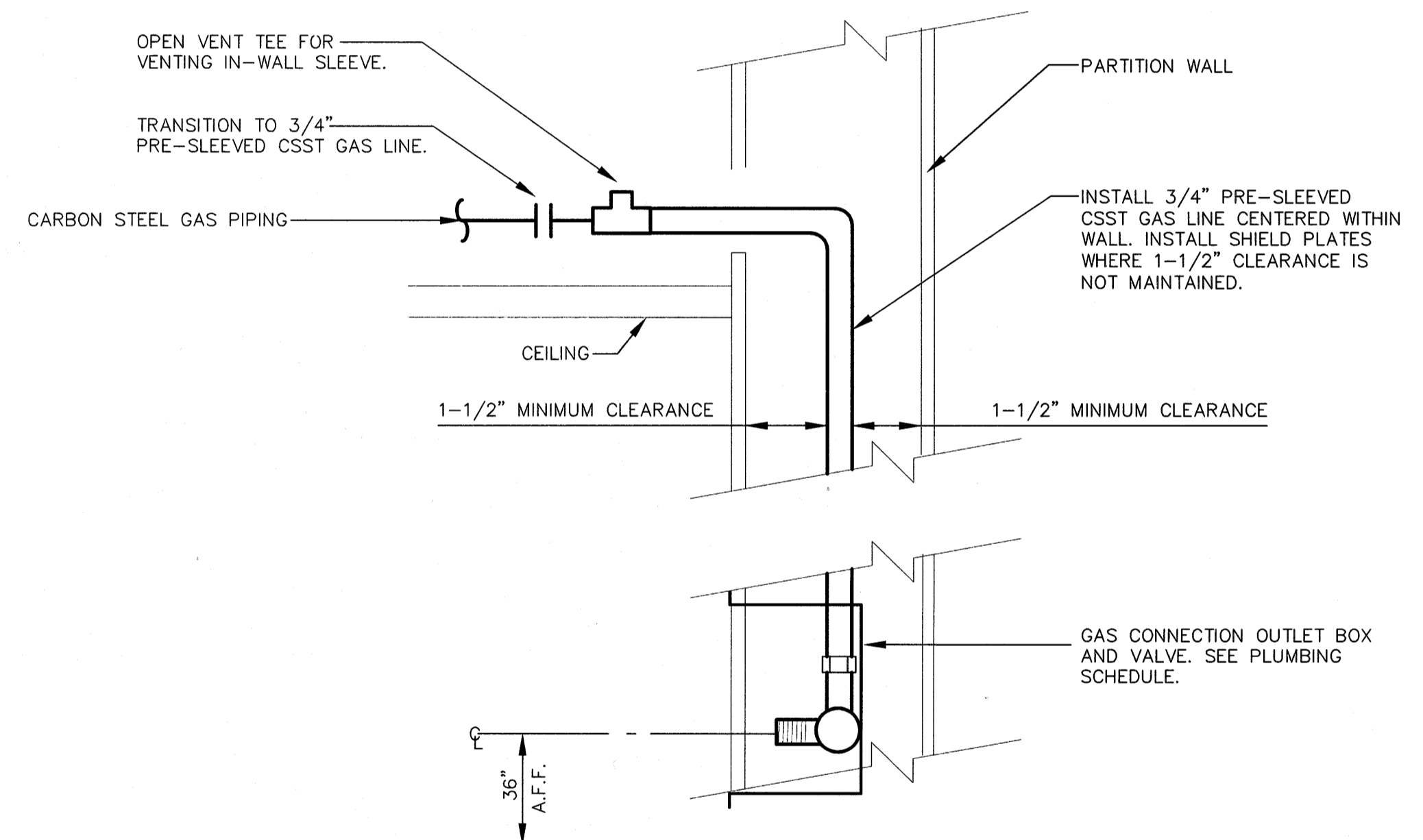


15 PLUMBING PIPE SUPPORT DETAIL
P-2 NO SCALE
P-3

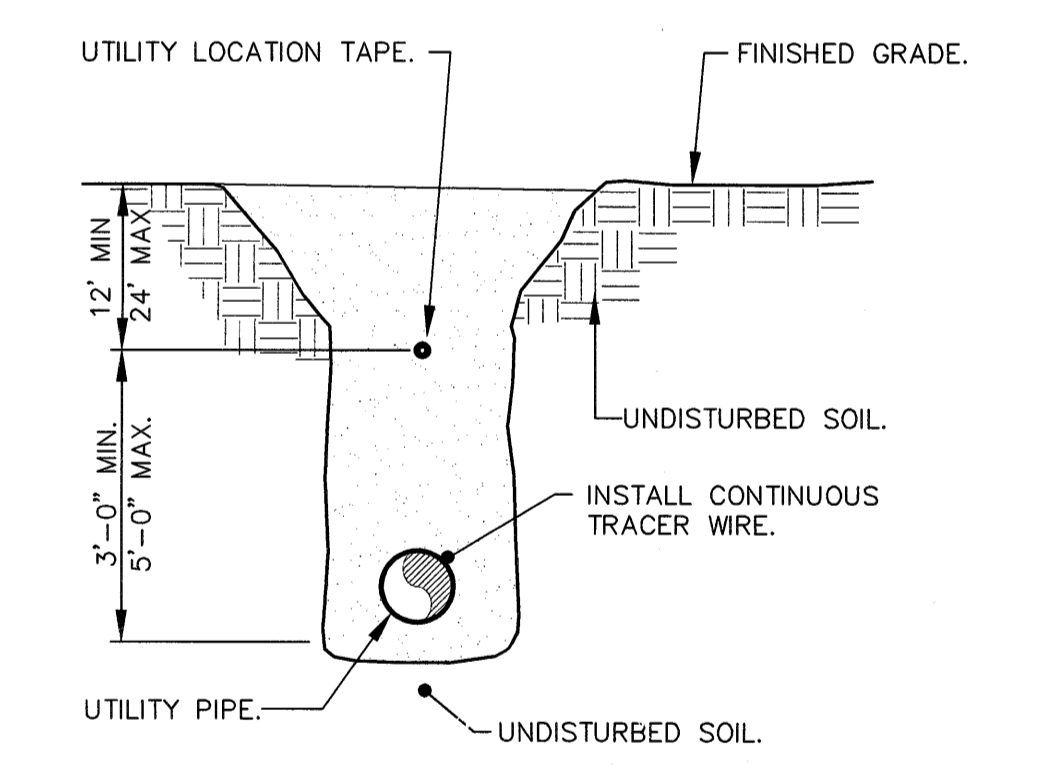
- NOTES:
1. THIS METHOD FOR PIPE SUPPORT AND INSULATION PROTECTION SHALL BE USED UNLESS SPECIFICALLY APPROVED OTHERWISE.
 2. COPPER PIPING SHALL BE ISOLATED FROM CONTACT WITH HANGER.
 3. INSULATION SADDLE SHALL BE USED TO SPREAD FORCE OVER A LARGER AREA OF THE INSULATION TO PREVENT CRUSHING.
 4. THE INSULATION SHALL BE CONTINUOUS THROUGH HANGER.
 5. THE VAPOR BARRIER SHALL BE CONTINUOUS THROUGH HANGER.
 6. REFER TO DRAWINGS AND SPECIFICATIONS FOR PIPING MATERIAL AND SIZE.
 7. REFER TO SPECIFICATIONS FOR INSULATION MATERIAL AND SIZE.
 8. FOR LARGE SIZE PIPE, SUPPORT SHOES MAYBE REQUIRED. SEE SPECIFICATIONS.
 9. WHERE INSULATION IS REQUIRED, INSTALL CORRECT SIZE HANGER FOR PIPE AND INSULATION THICKNESS REQUIREMENTS.
 10. WHERE INSULATION IS NOT REQUIRED, INSTALL CORRECT SIZE HANGER FOR PIPE.



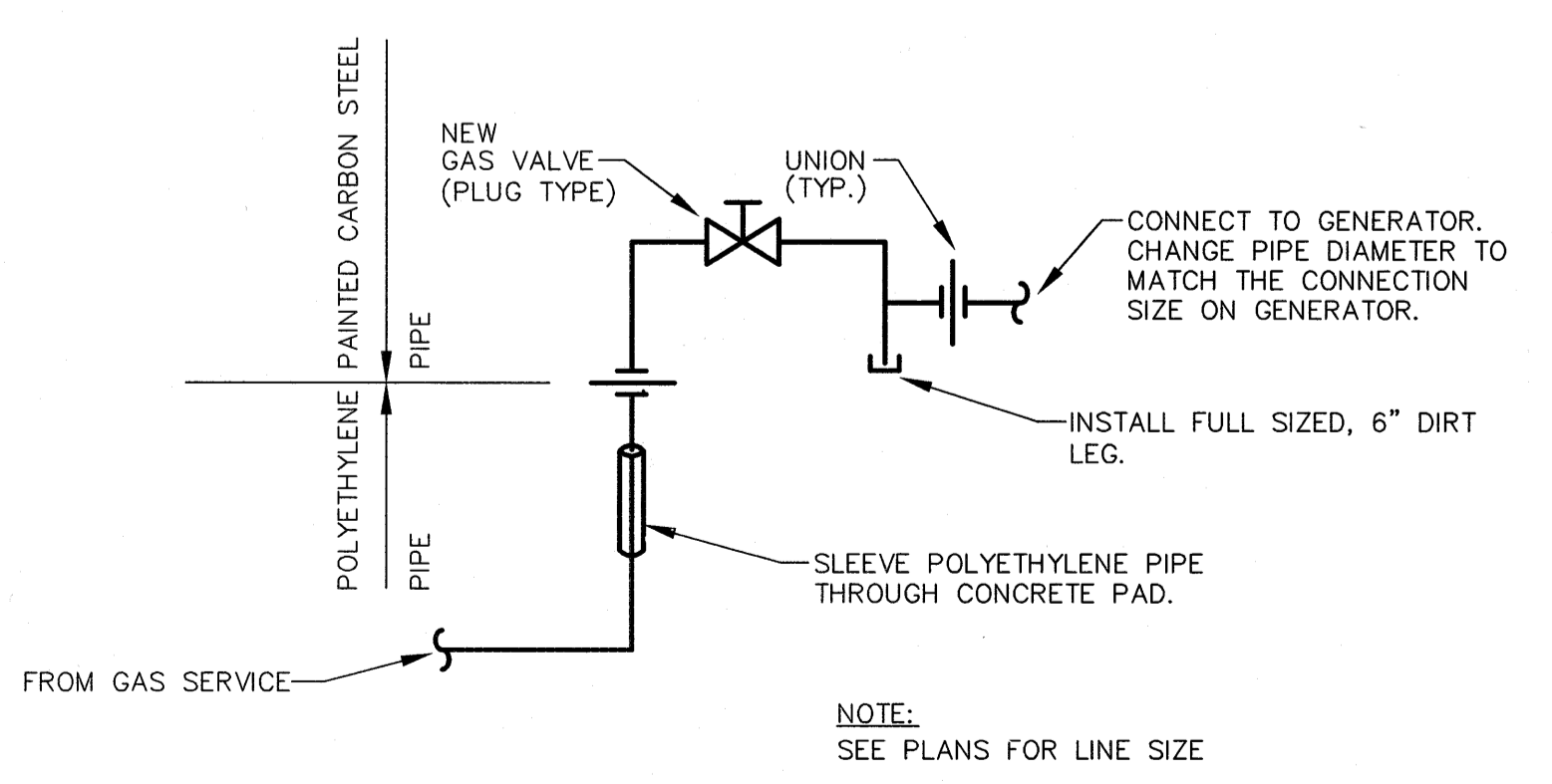
16 FIXTURE SUPPLY DETAIL
P-2 NO SCALE
P-3



17 WALL SECTION AT GAS DROP
P-2 NO SCALE



19 UTILITY TRENCH DETAILS
U-1 NO SCALE



20 GENERATOR GAS TERMINATION DETAIL
U-1 NO SCALE

MARCUM ENGINEERING, LLC
500 SOUTH 17th STREET - PADUCAH, KENTUCKY 42002-0120
PHONE - 270.444.9274 FAX - 270.443.1904
COPYRIGHT © 2010 - MARCUM ENGINEERING, LLC

castleberry megregor swinford ARCHITECTS
BENTON GAS SYSTEM
Project No. 10580

P-6
of 6
DATE 10/01/10