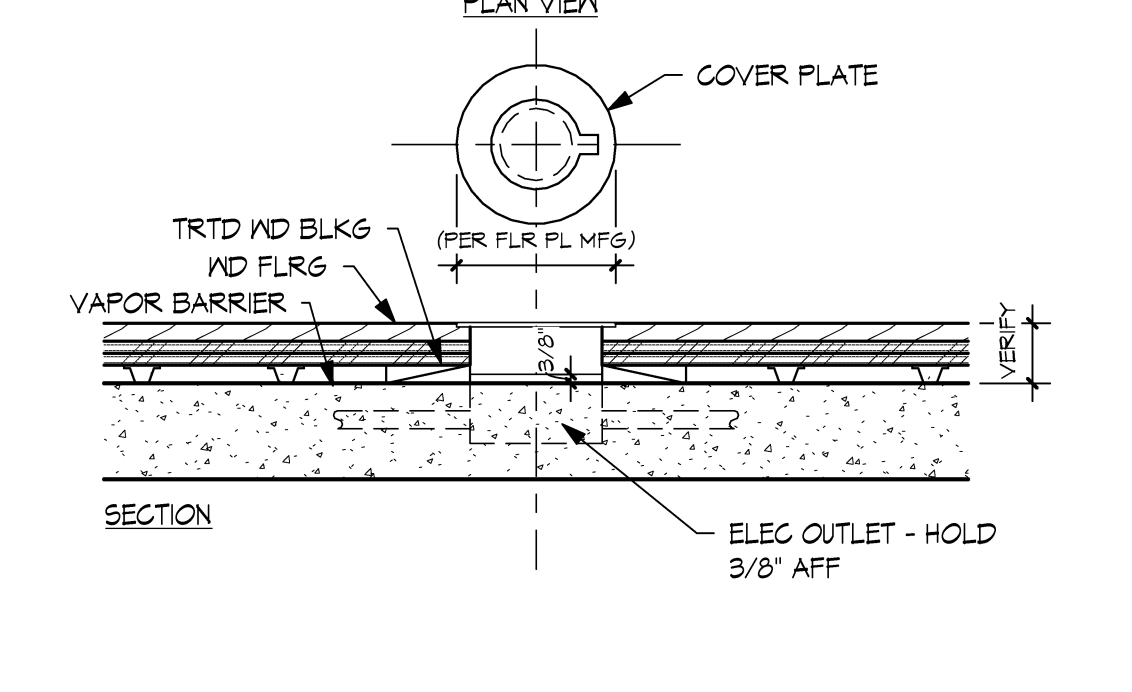
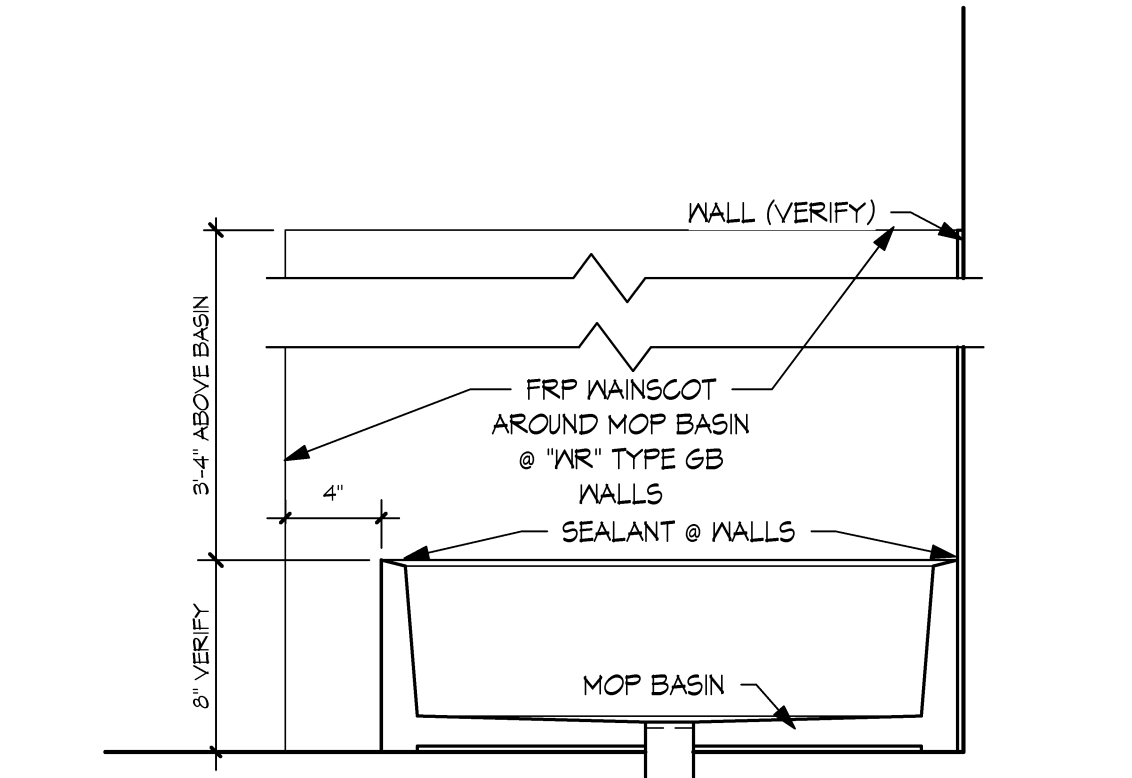


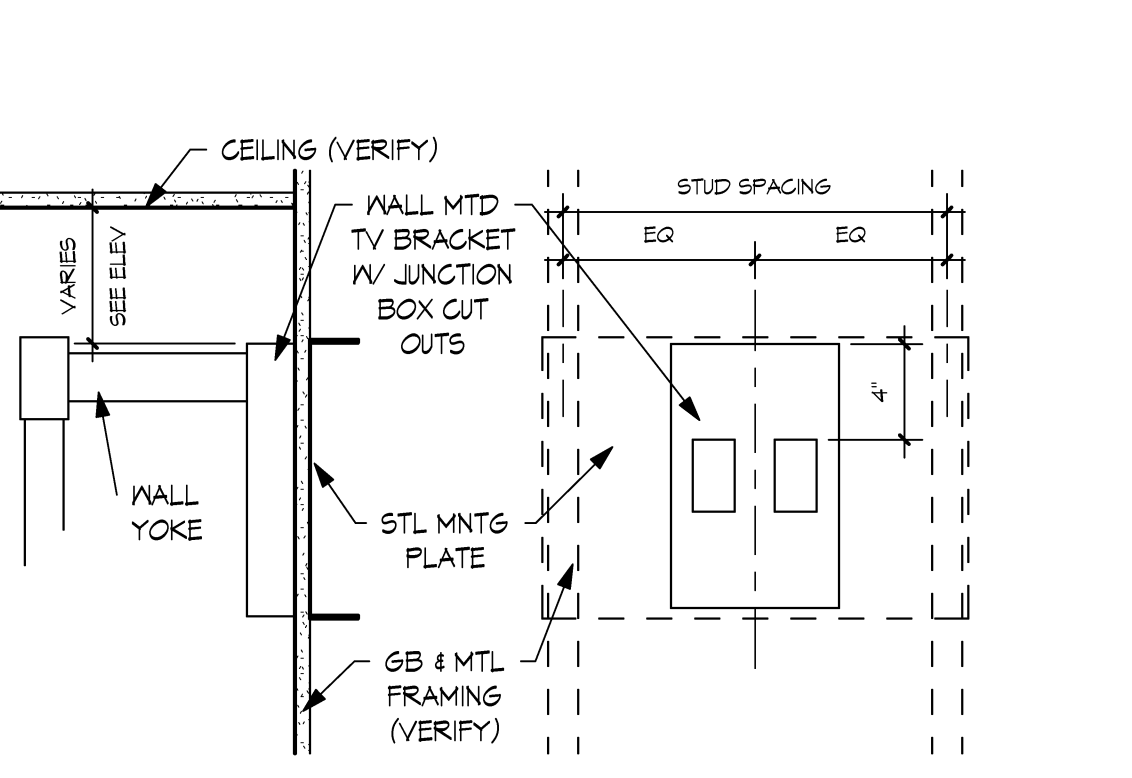
A1 FLR INSERT
SCALE | 1 1/2" = 1'-0"



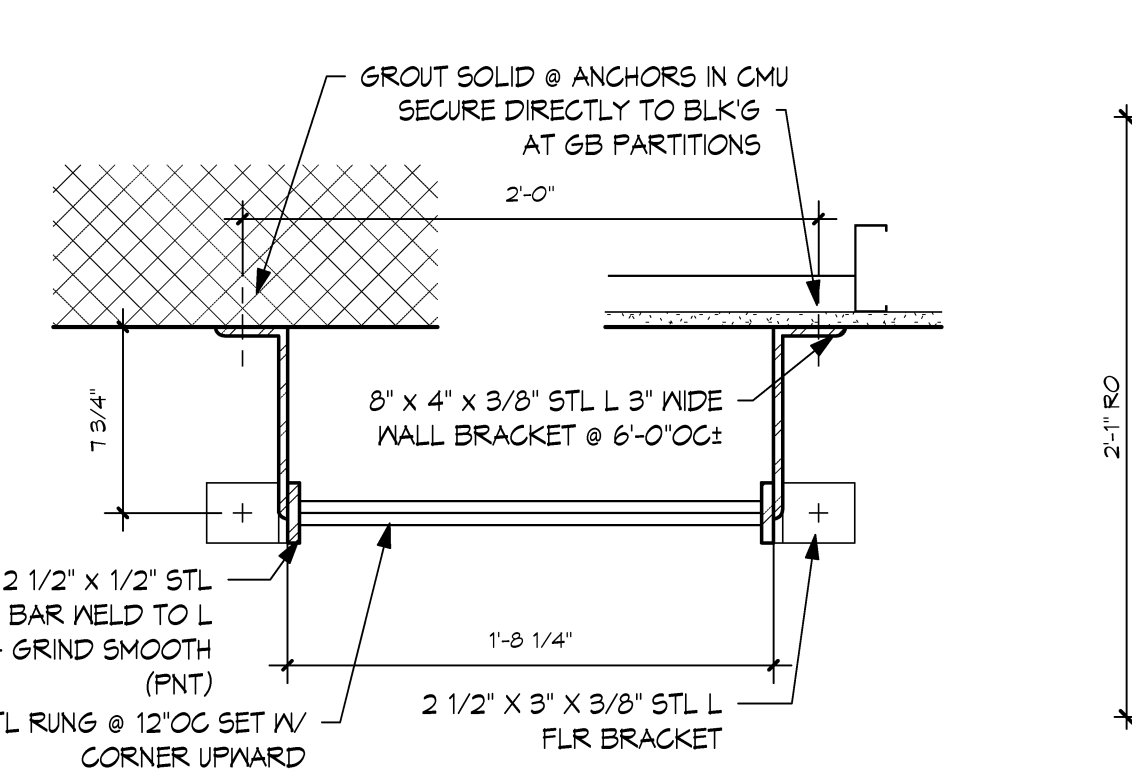
A2 FLR ELECTRICAL
SCALE | 1 1/2" = 1'-0"



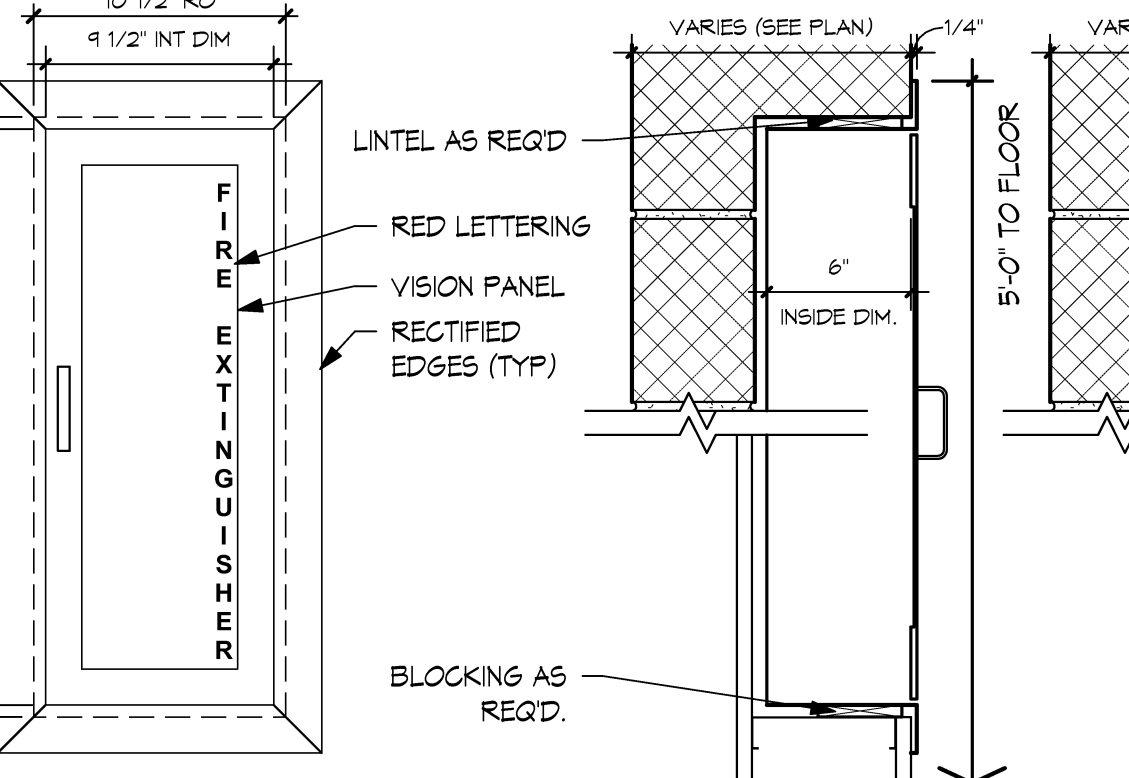
B1 MOP SINK
SCALE | 1 1/2" = 1'-0"



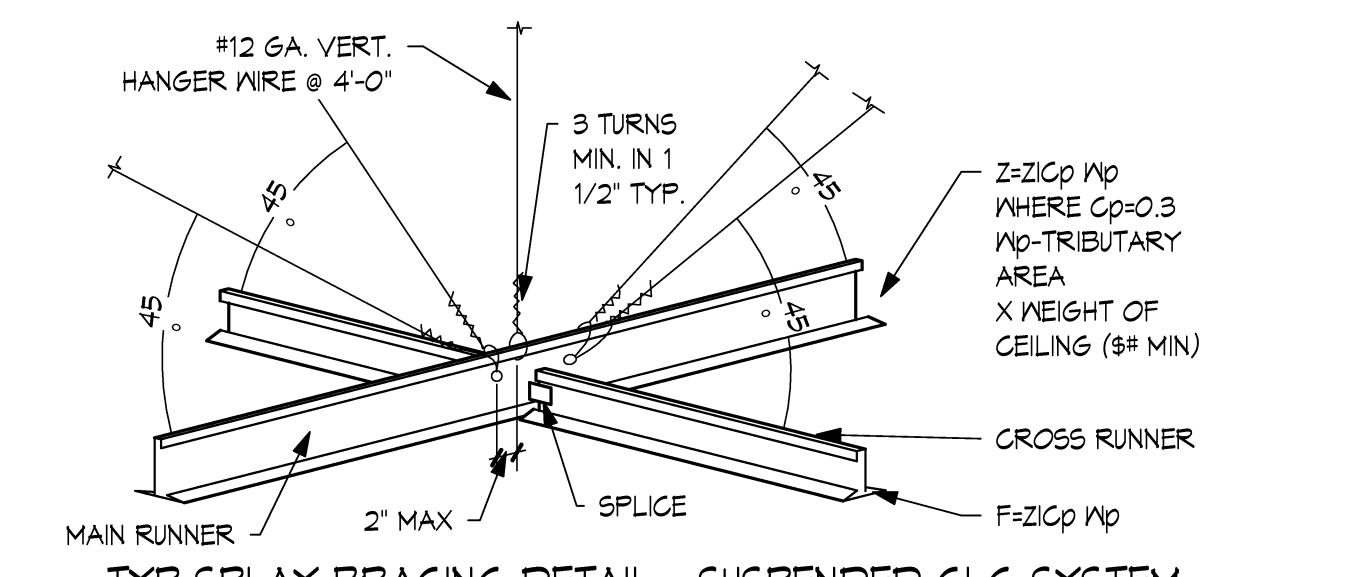
B2 TV BRACKET
SCALE | 1 1/2" = 1'-0"



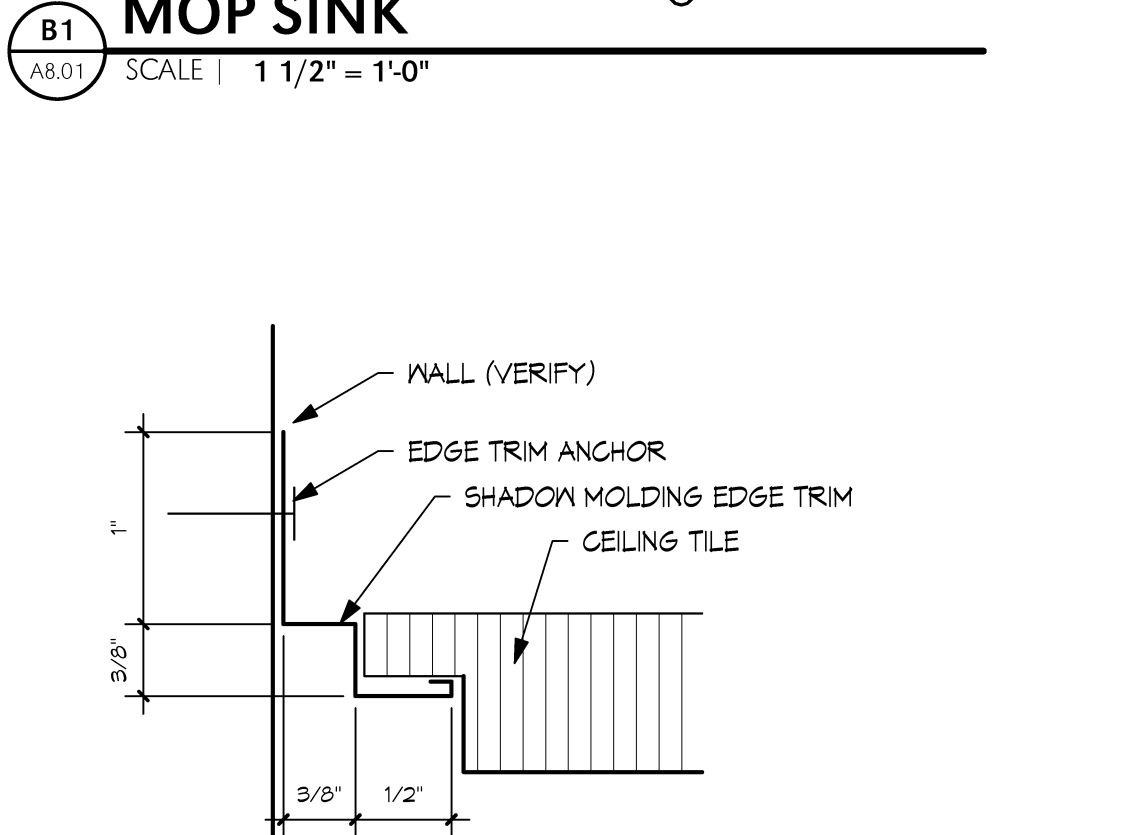
B3 LADDER
SCALE | 1 1/2" = 1'-0"



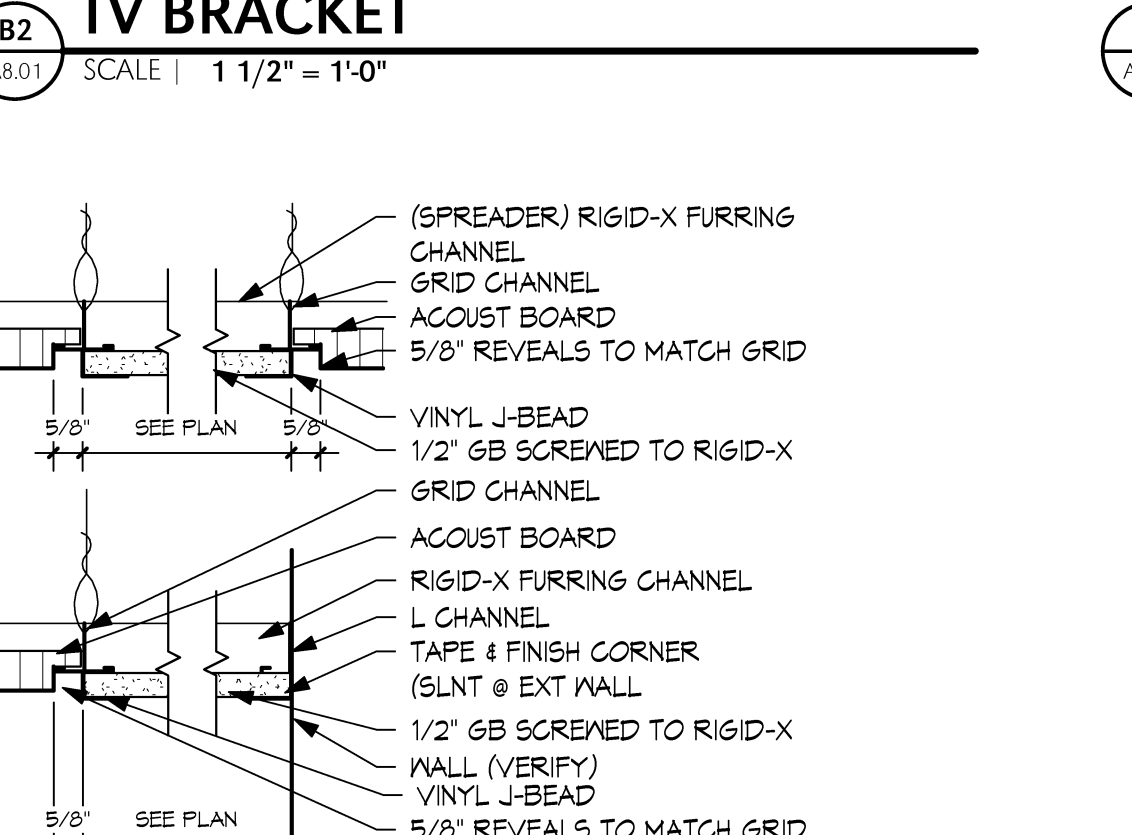
B4 FEC
SCALE | 1 1/2" = 1'-0"



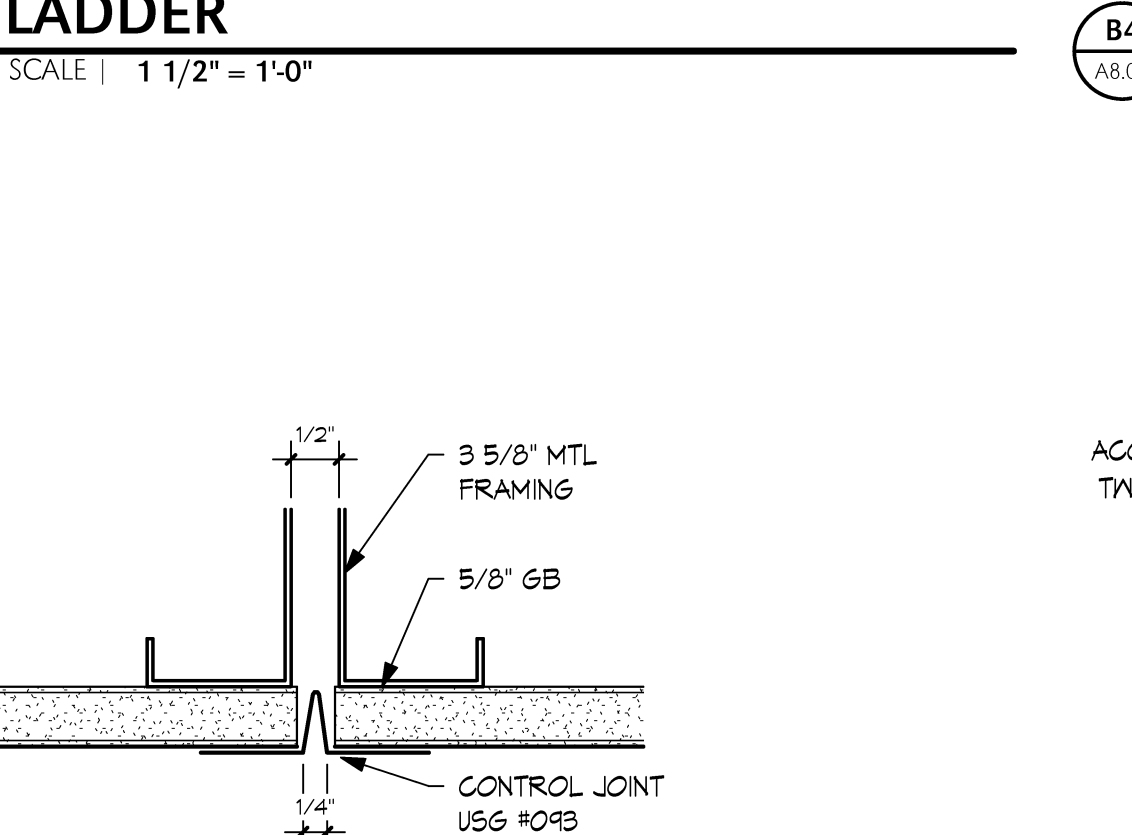
B5 CLG BRACING
SCALE | 3/4" = 1'-0"



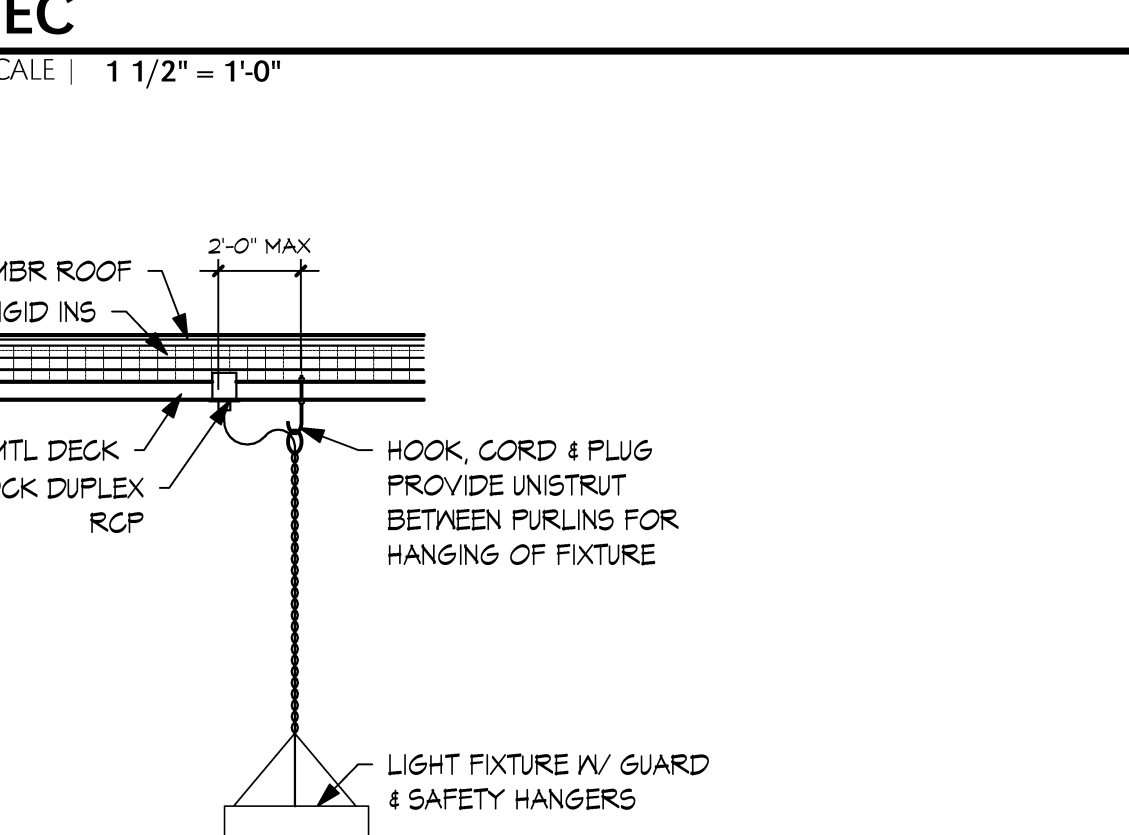
C1 CLG ANGLE
SCALE | 12" = 1'-0"



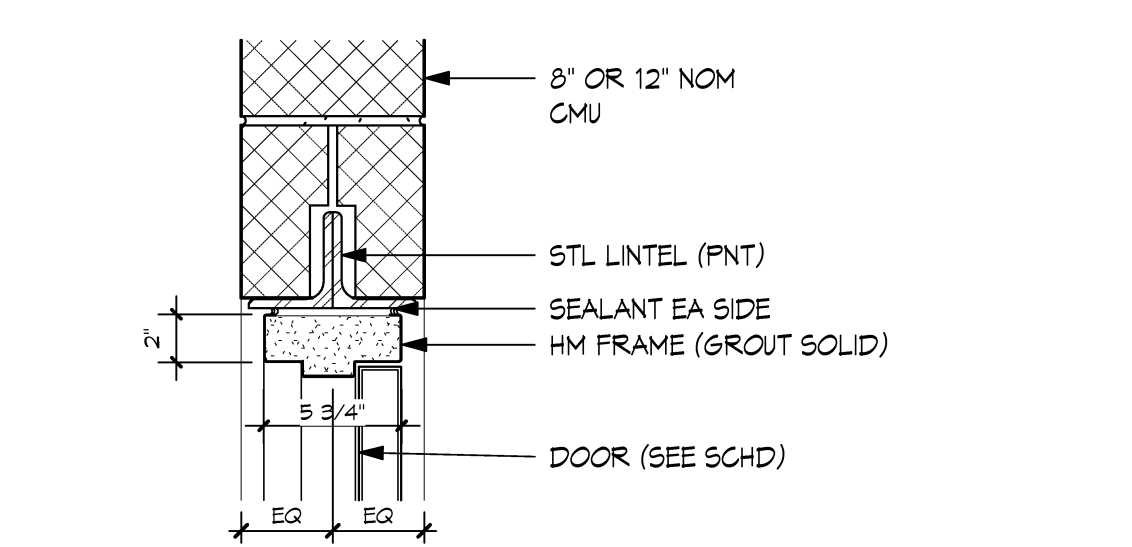
C2 BLKHD
SCALE | 3" = 1'-0"



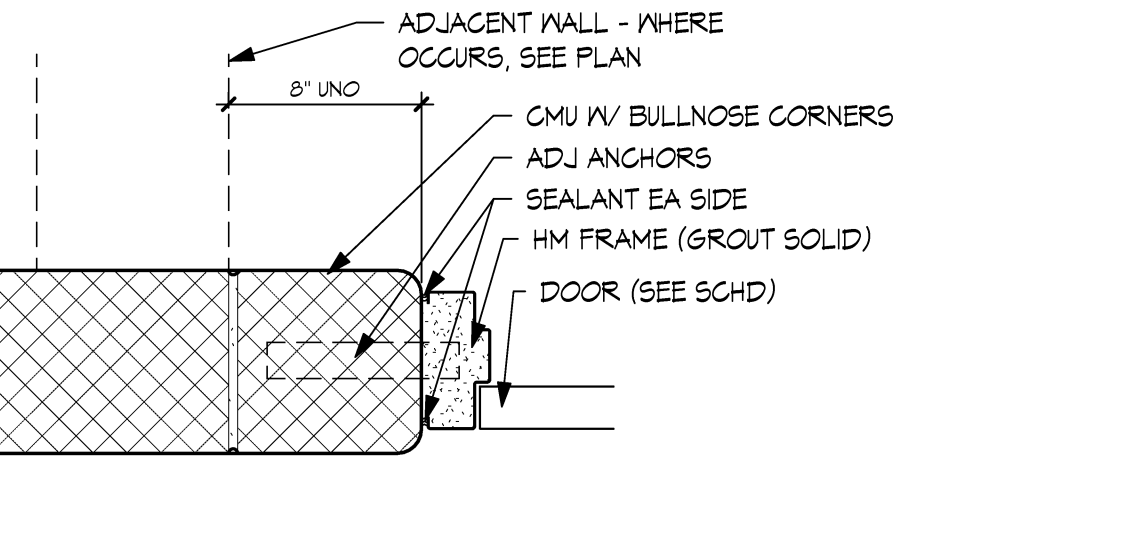
C3 CLG CJ
SCALE | 6" = 1'-0"



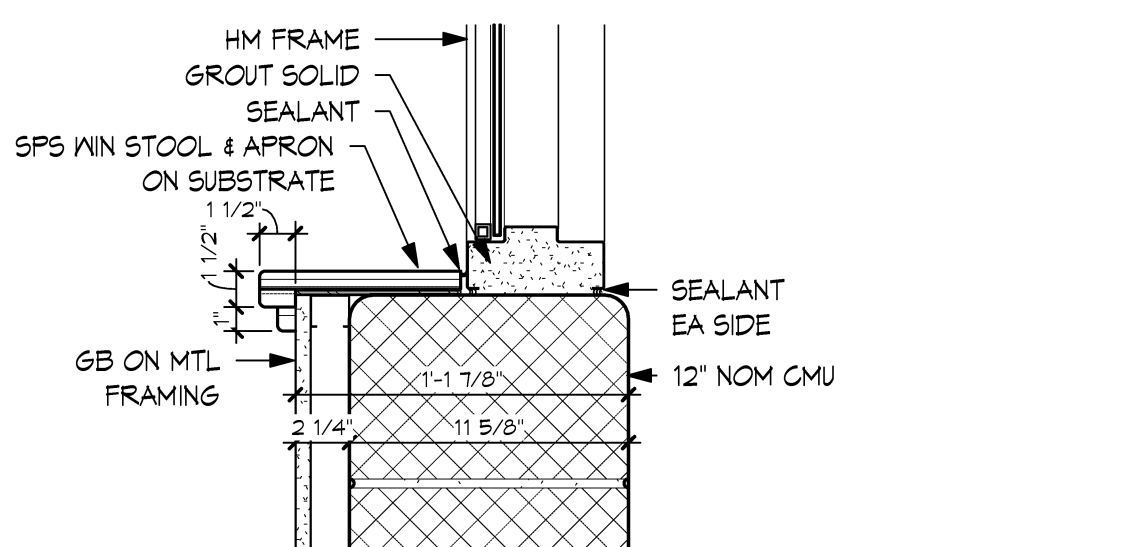
C4 GYM LIGHT
SCALE | 3/8" = 1'-0"



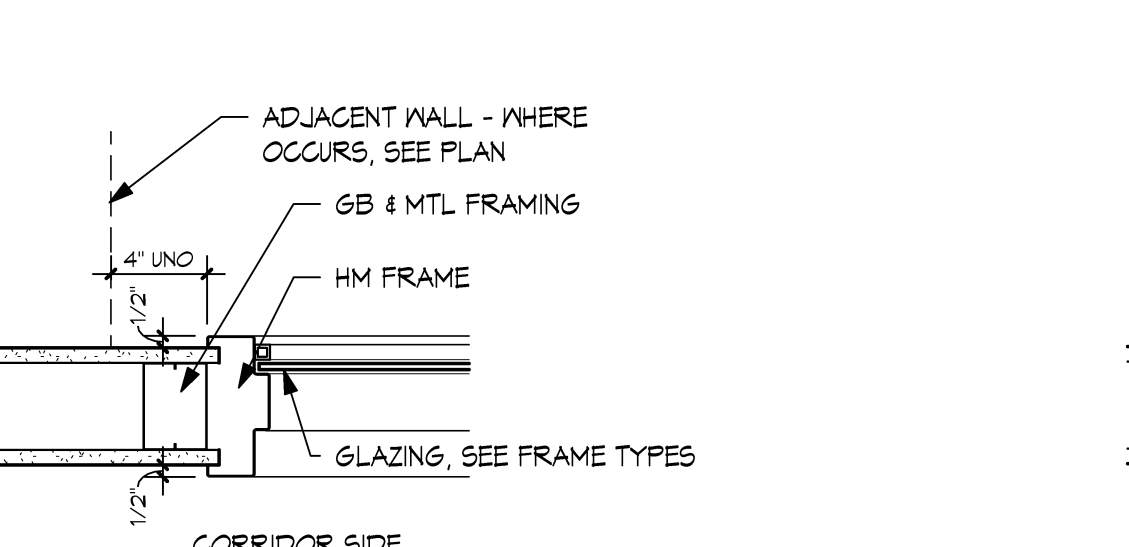
D1 TYPICAL - CMU STL HD
SCALE | 1 1/2" = 1'-0"



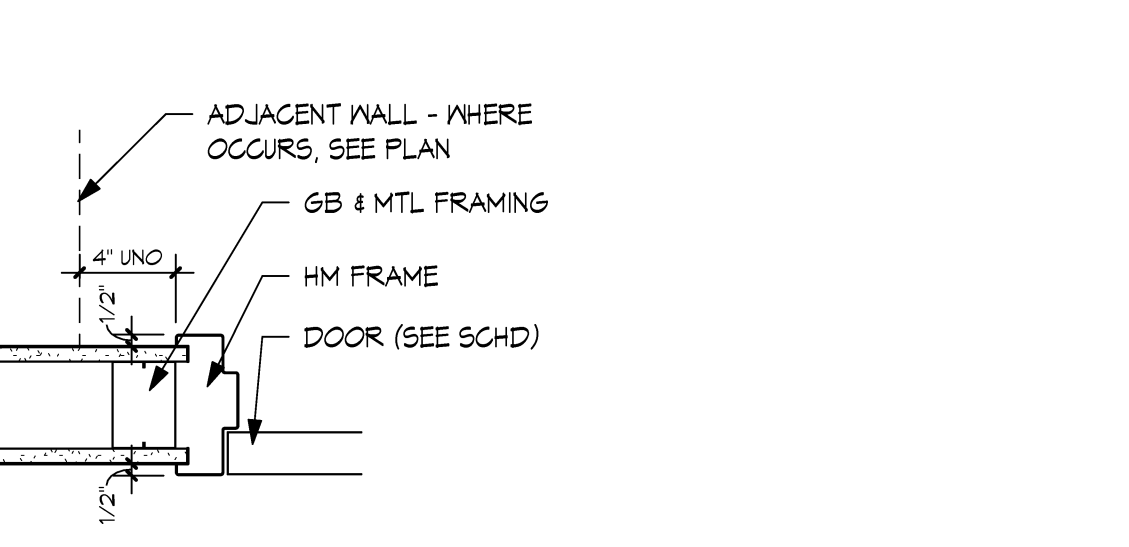
D2 TYPICAL - CMU JAMB
SCALE | 1 1/2" = 1'-0"



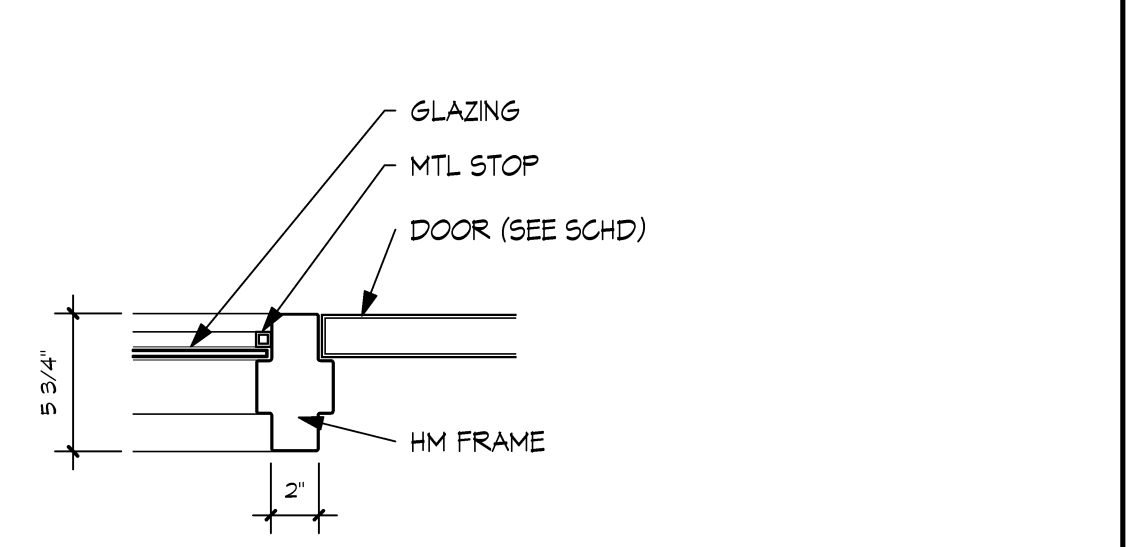
D3 TYPICAL - WIN STOOL
SCALE | 1 1/2" = 1'-0"



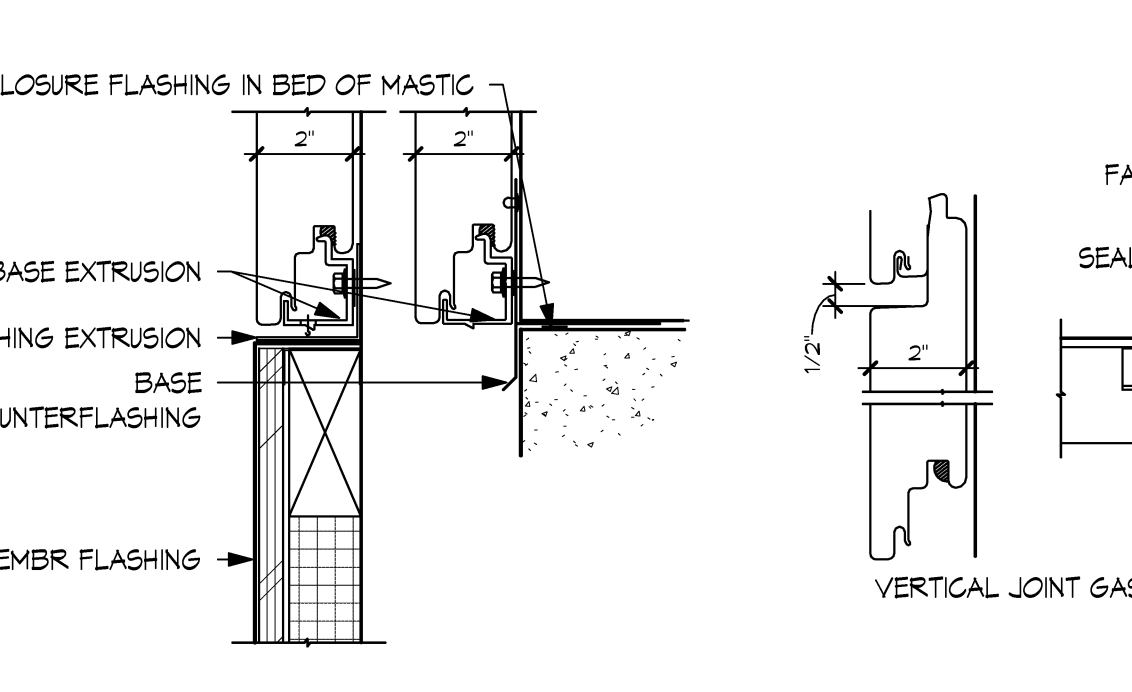
D4 TYPICAL - GB HD & JAMB
SCALE | 1 1/2" = 1'-0"



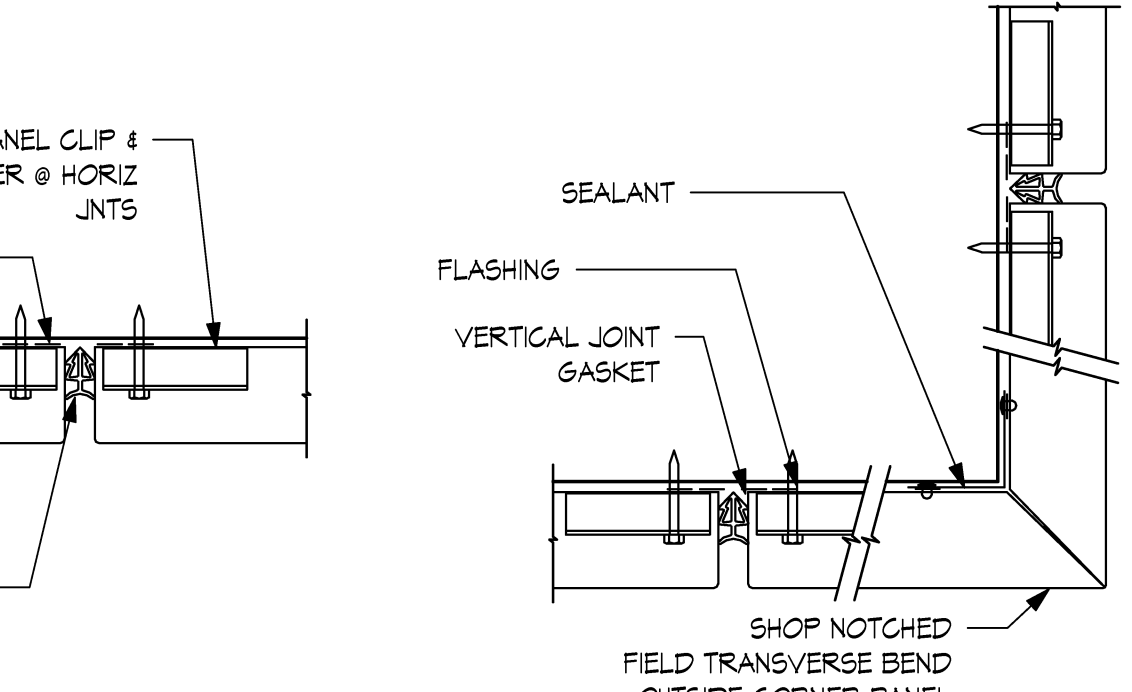
D5 TYPICAL - GB HD & JAMB
SCALE | 1 1/2" = 1'-0"



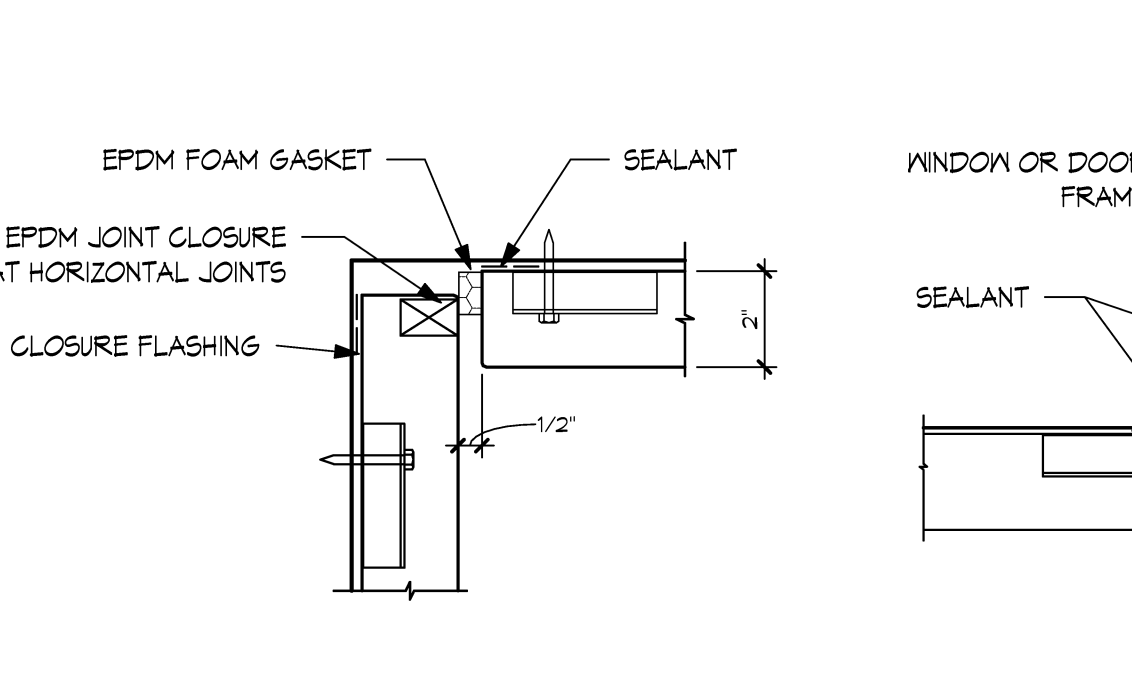
D6 TYPICAL - HM MULLION
SCALE | 1 1/2" = 1'-0"



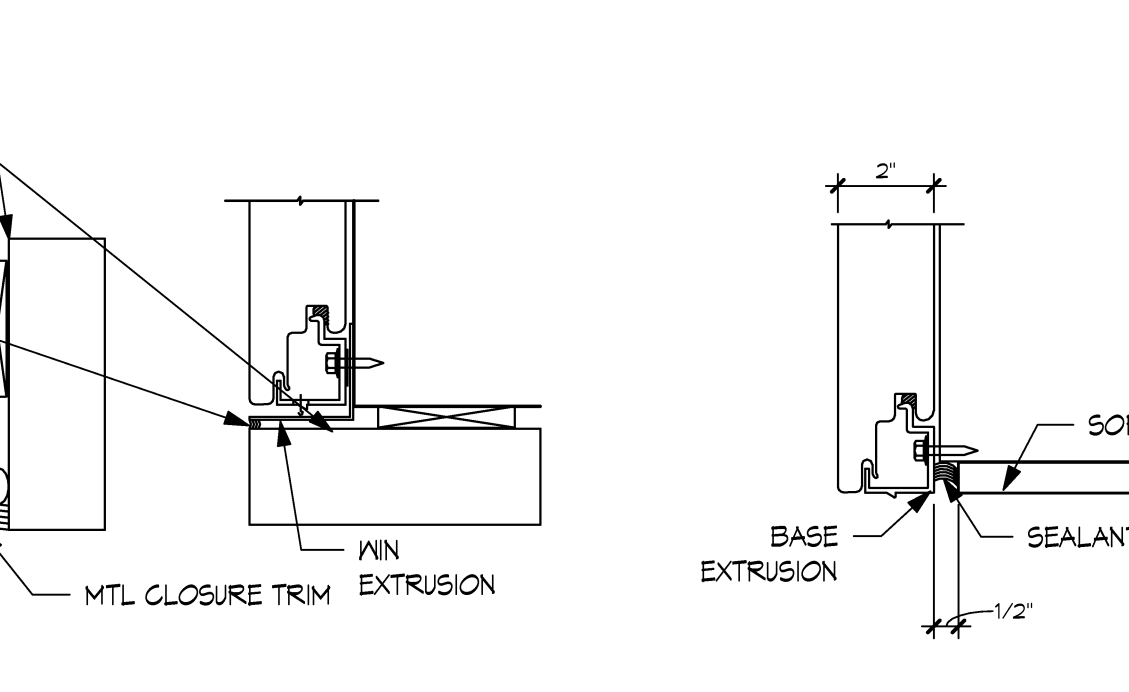
E1 WALL PANEL - BASE - REVEAL
SCALE | 3" = 1'-0"



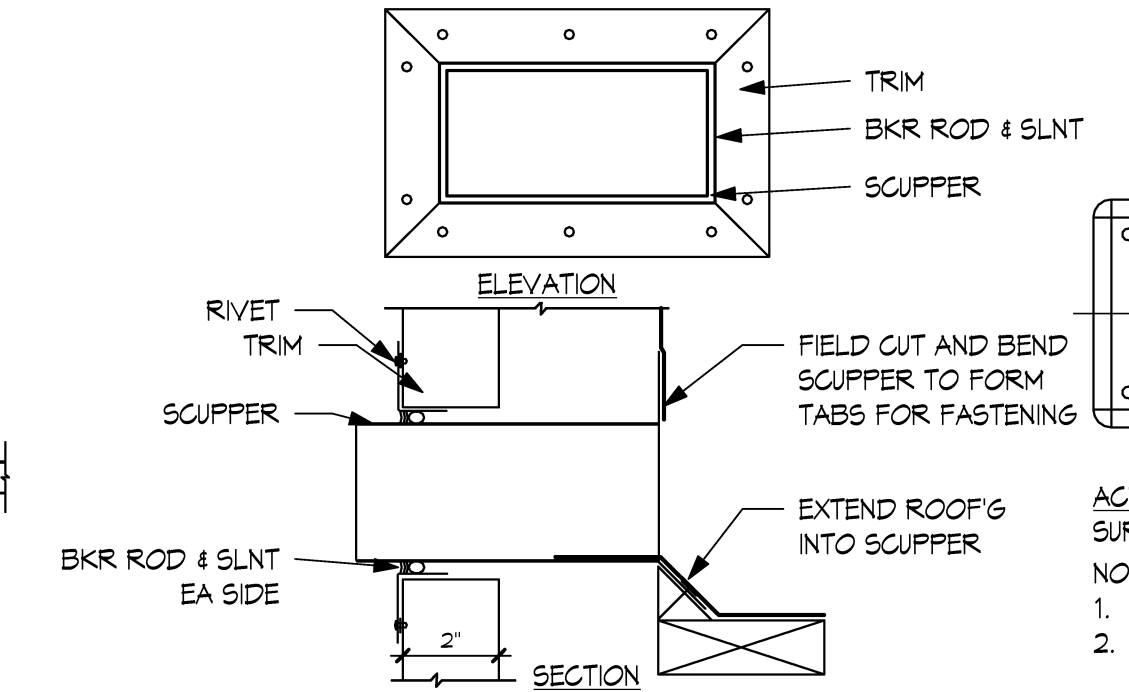
E2 WALL PANEL - BASE - OUTSIDE CORNER
SCALE | 3" = 1'-0"



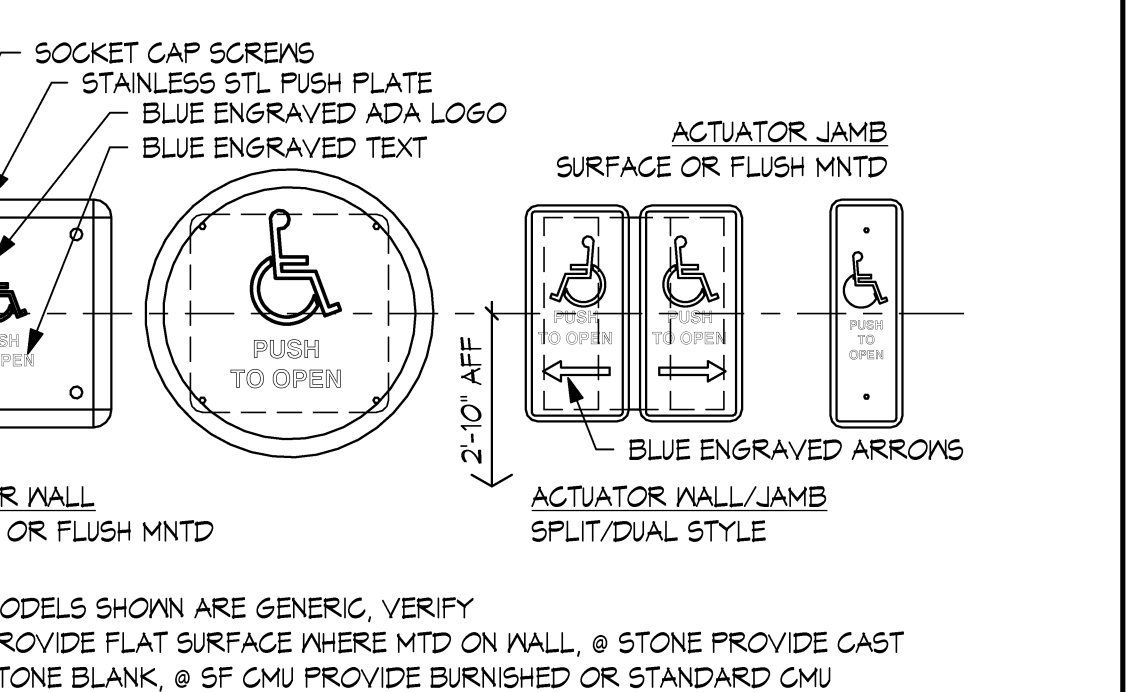
E3 WALL PANEL - BASE - INSIDE CORNER
SCALE | 3" = 1'-0"



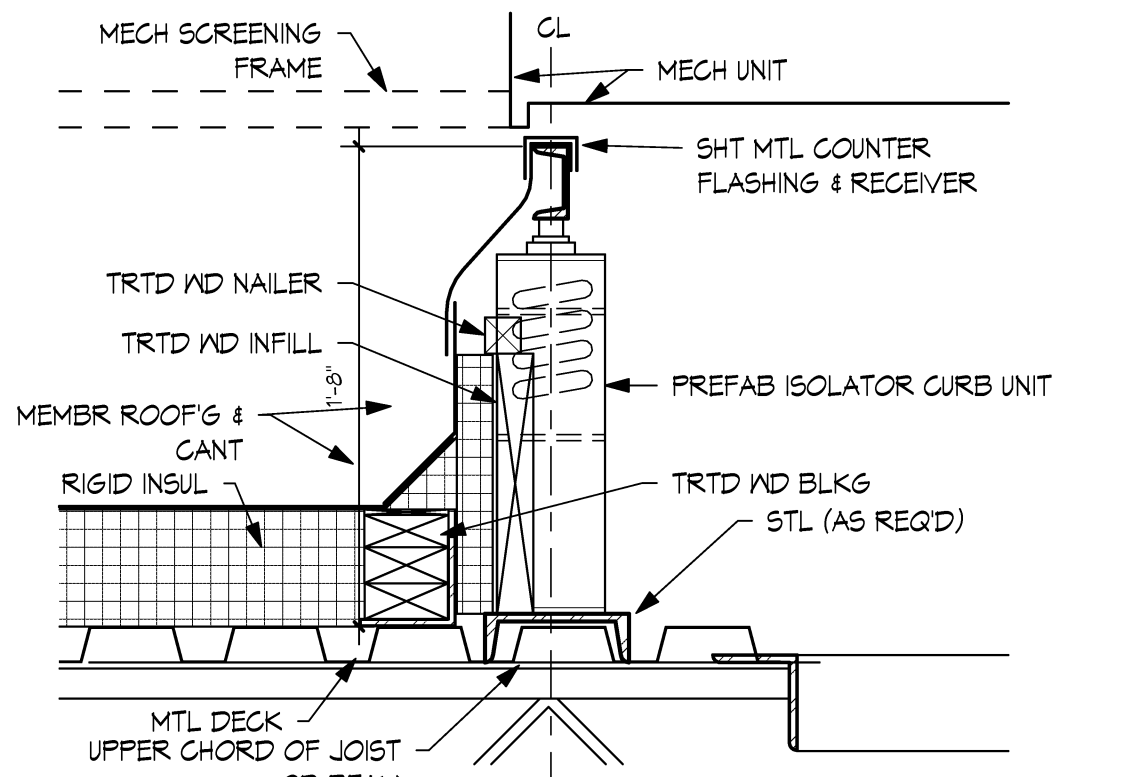
E4 WALL PANEL - BASE - WINDOW
SCALE | 3" = 1'-0"



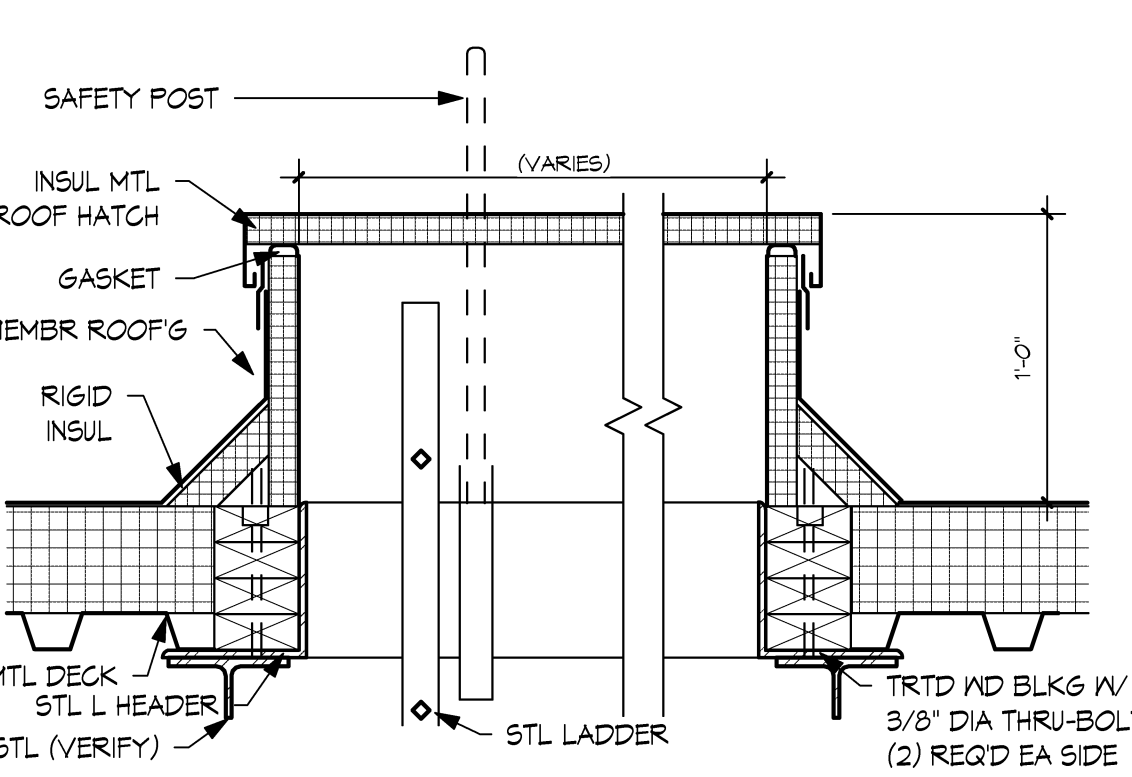
E5 WALL PANEL - BASE - SOFFIT
SCALE | 3" = 1'-0"



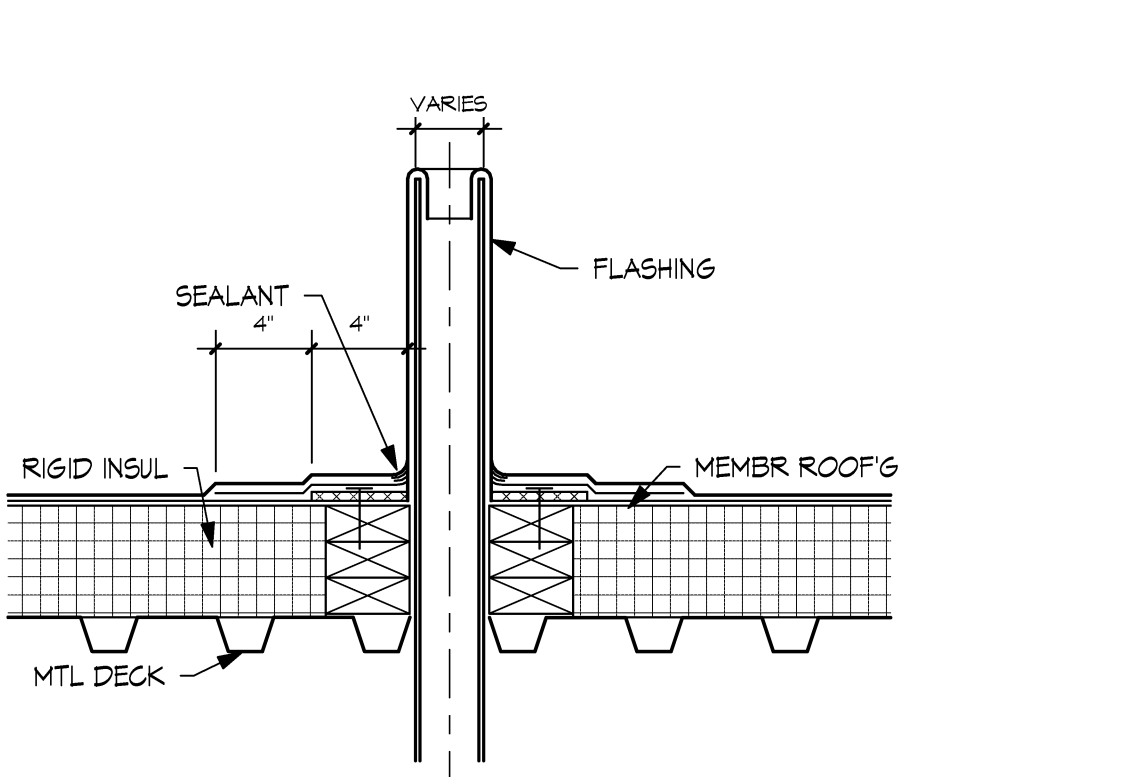
E6 WALL PANEL - BASE - PENETRATION
SCALE | 3" = 1'-0"



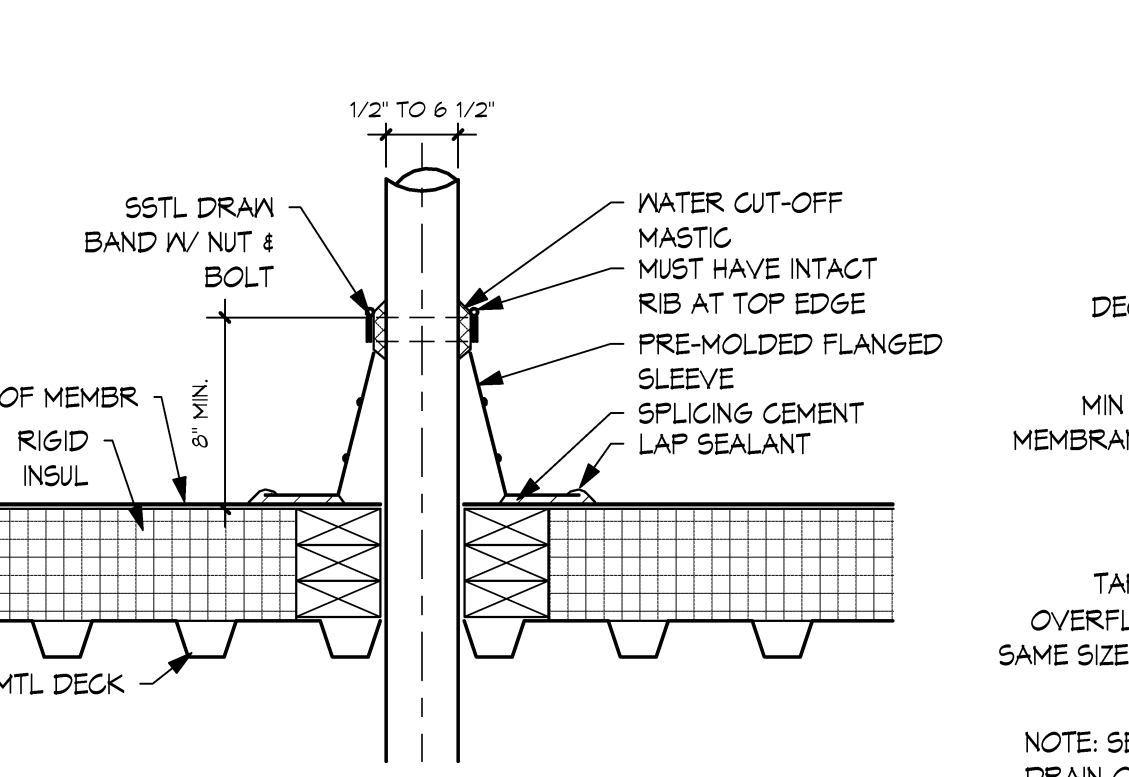
F1 MECH CURB
SCALE | 1 1/2" = 1'-0"



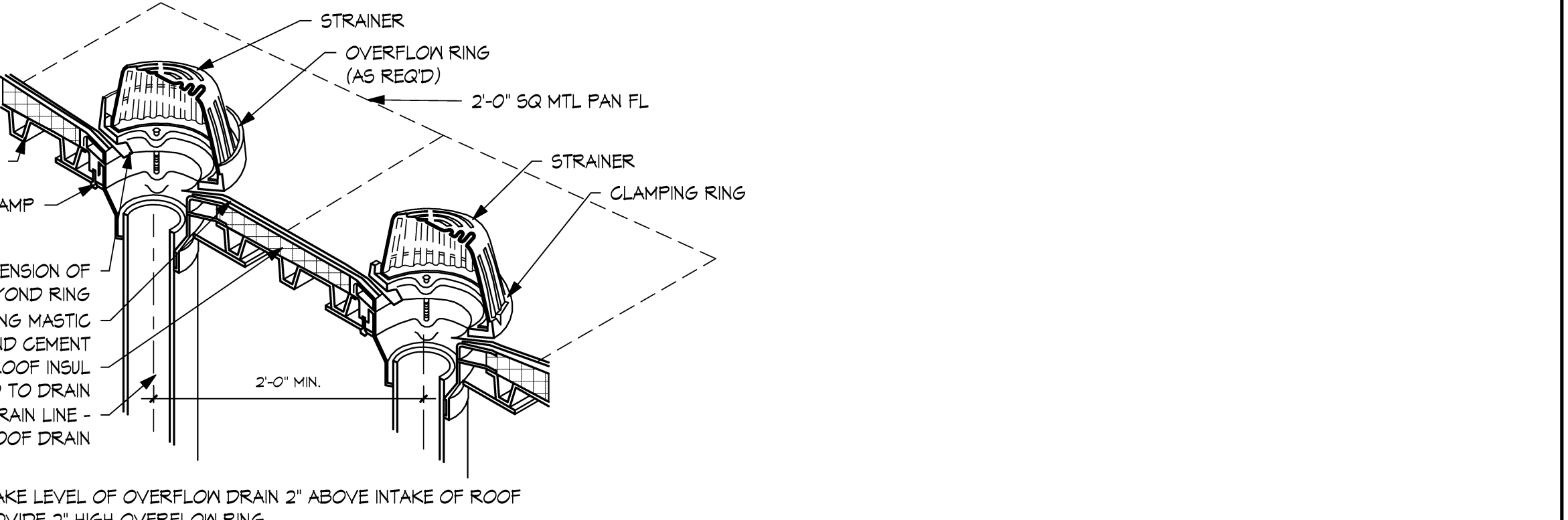
F2 ROOF HATCH
SCALE | 1 1/2" = 1'-0"



F3 PLBG VENT
SCALE | 1 1/2" = 1'-0"



F4 PIPE FLASHING
SCALE | 1 1/2" = 1'-0"



F5 ROOF DRAIN
SCALE | 1 1/2" = 1'-0"

Hastings+Chivetta
ARCHITECTURE • PLANNING • ENGINEERING
627 E. Main St., Suite 100, Murray, KY 40361 | 502.338.3333 | www.hastingschivetta.com

MURRAY STATE UNIVERSITY
FACILITIES DESIGN AND CONSTRUCTION
DEPARTMENT FOR FACILITIES MANAGEMENT
616 GIBBERT DRIVE, MURRAY, KY 40371-3884
MURRAY STATE UNIVERSITY
MURRAY, KY 40371-3884

SPORTS PRACTICE FACILITY
MURRAY STATE UNIVERSITY
MURRAY, KENTUCKY
MURRAY STATE UNIVERSITY
MURRAY, KENTUCKY
MURRAY STATE UNIVERSITY
MURRAY, KENTUCKY
MURRAY STATE UNIVERSITY
MURRAY, KENTUCKY

MURRAY STATE UNIVERSITY
MURRAY, KENTUCKY
MURRAY STATE UNIVERSITY
MURRAY, KENTUCKY
MURRAY STATE UNIVERSITY
MURRAY, KENTUCKY
MURRAY STATE UNIVERSITY
MURRAY, KENTUCKY

C:\Users\johnd\Documents\Projects\2983.00 SP-2012_cohirent
1/6/2012 3:57:51 PM

REVISIONS

Date	2012-01-04
H-C Project No	2983.00
FDC Project No	10-007
BFW Project No	11194
Marcum Project No	11557
Sheet Name	MISC DETAILS