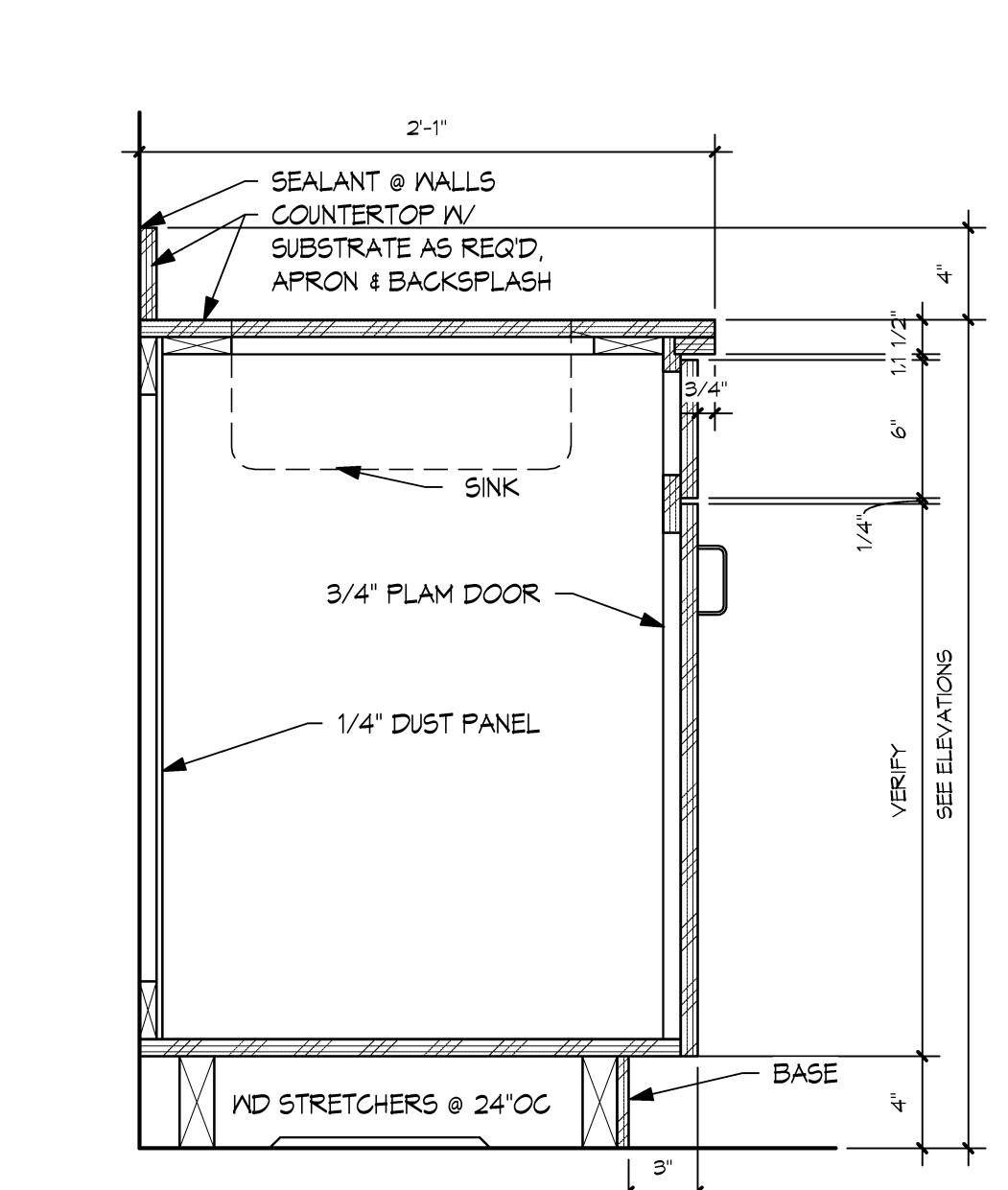
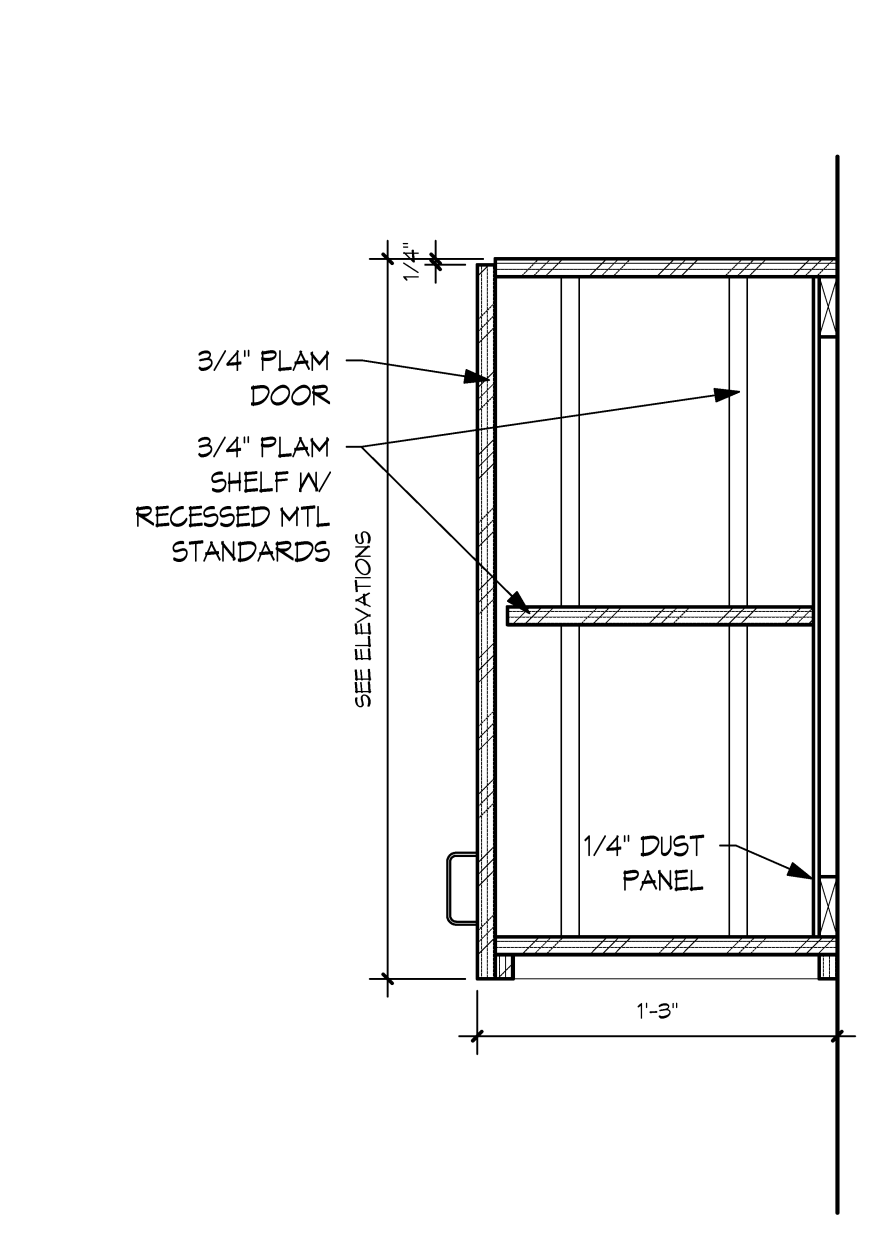


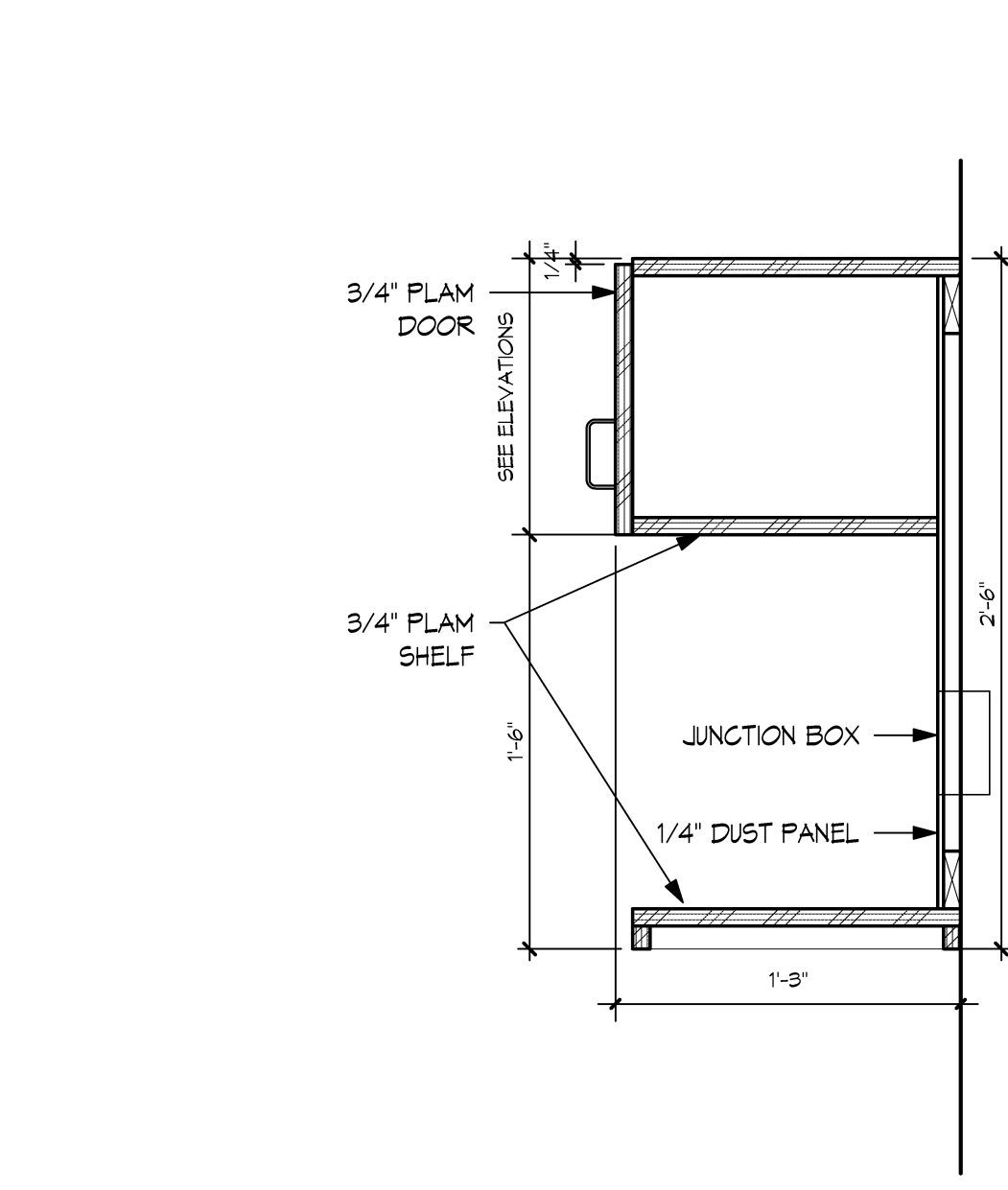
B1 BASE CAB - DOOR/DRAWER
SCALE | 1 1/2" = 1'-0"



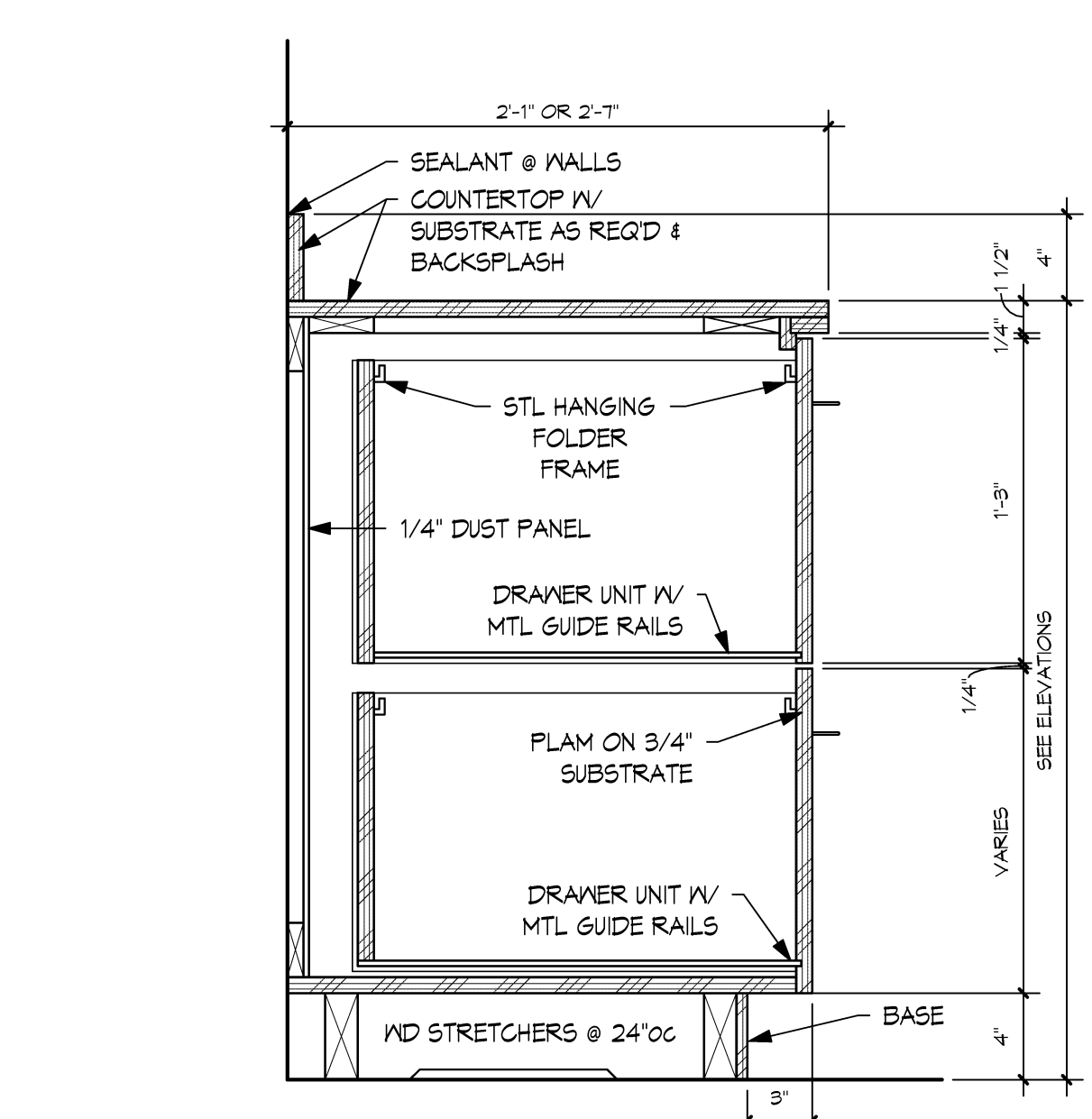
B2 BASE CAB - SINK
SCALE | 1 1/2" = 1'-0"



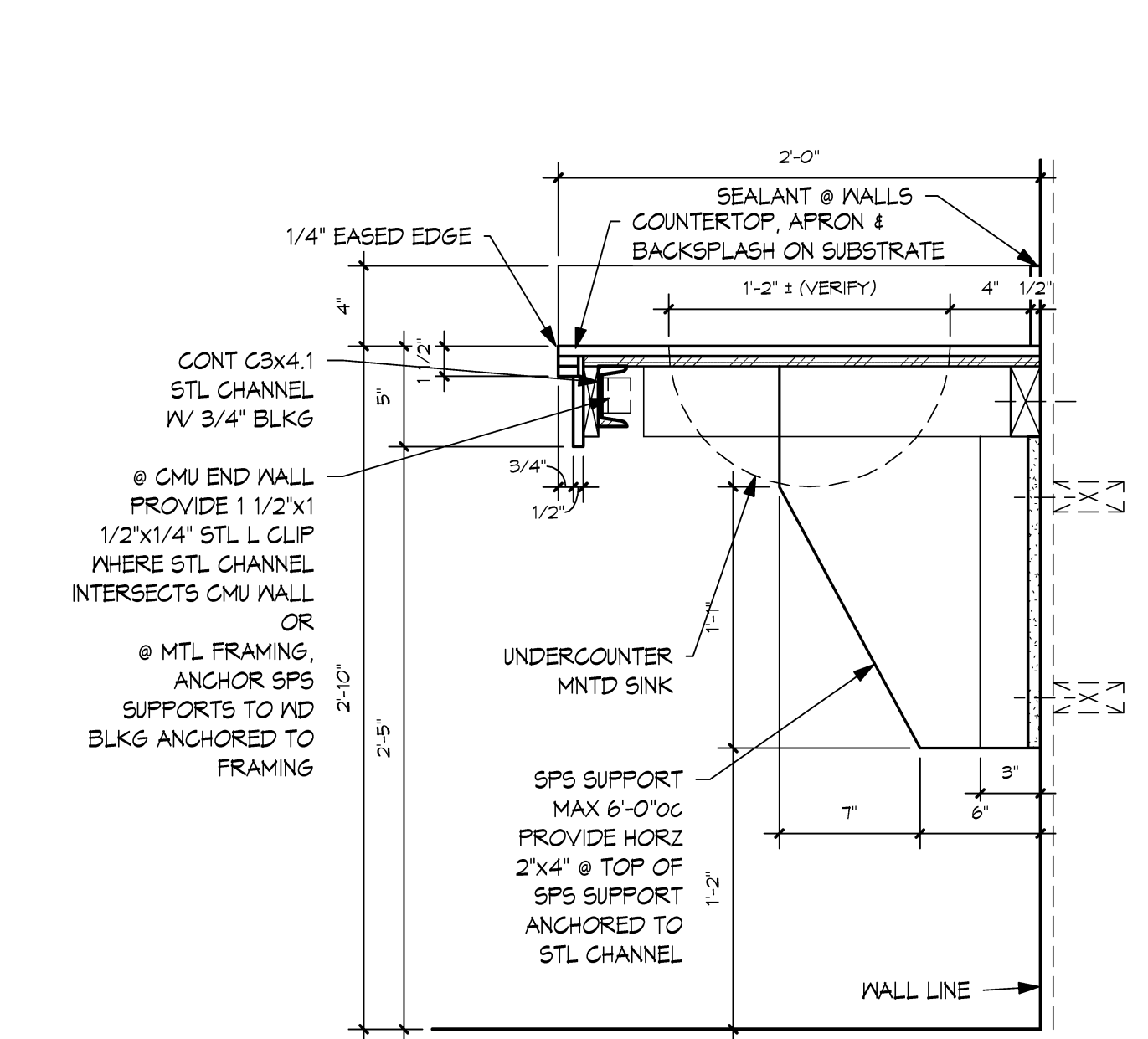
B3 WALL CABINET
SCALE | 1 1/2" = 1'-0"



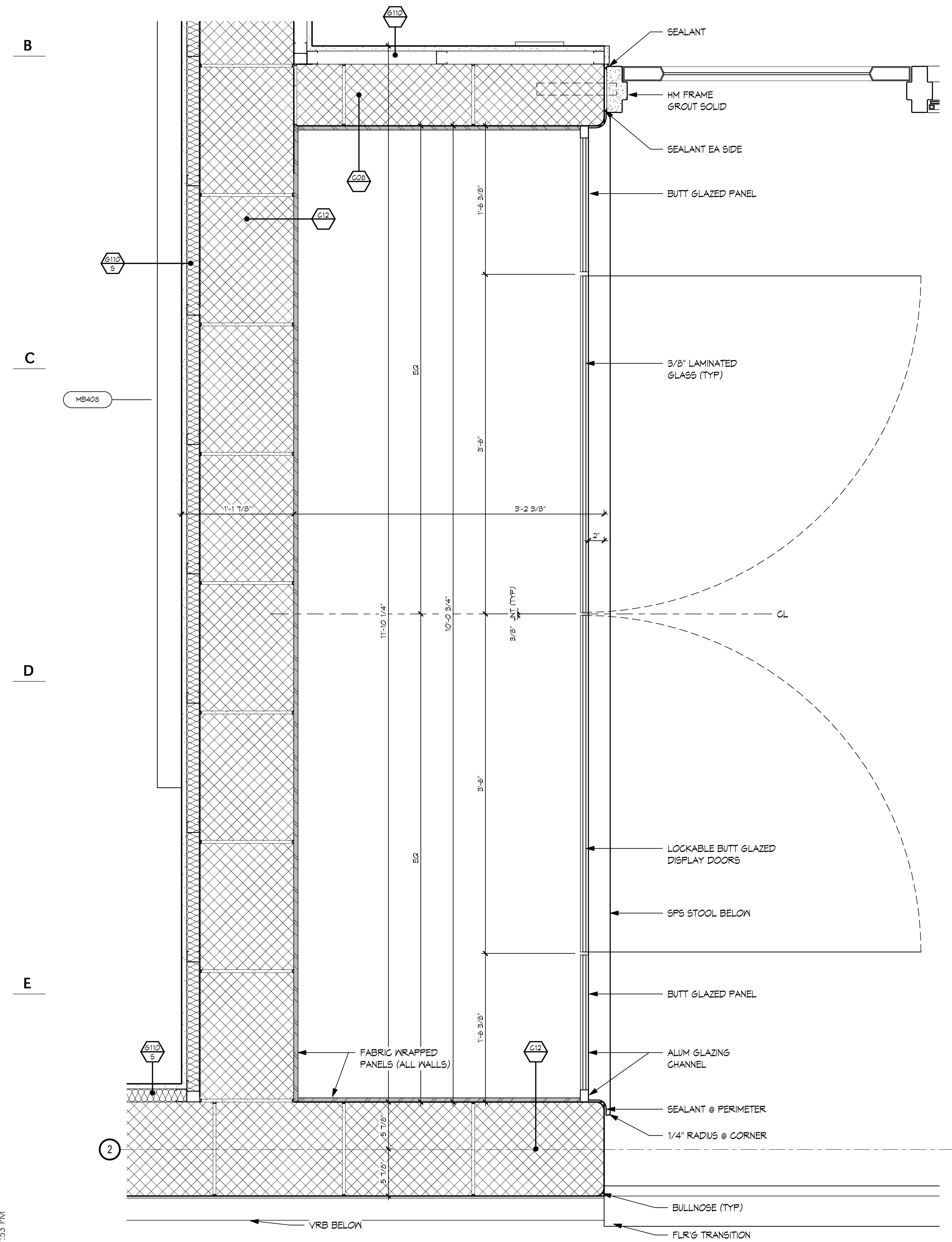
B4 WALL CABINET - MICRO
SCALE | 1 1/2" = 1'-0"



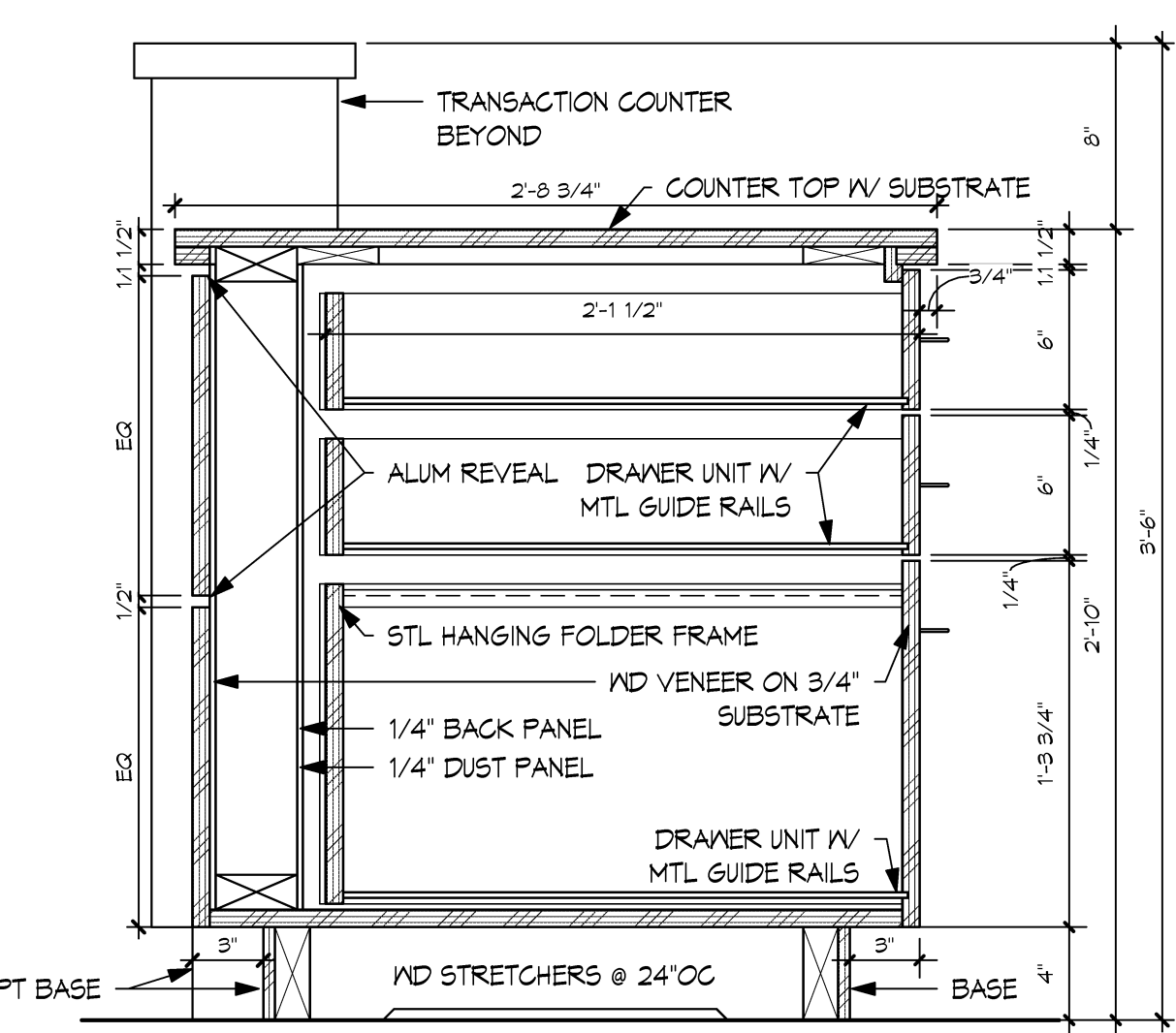
B5 BASE CAB - LATERAL FILE
SCALE | 1 1/2" = 1'-0"



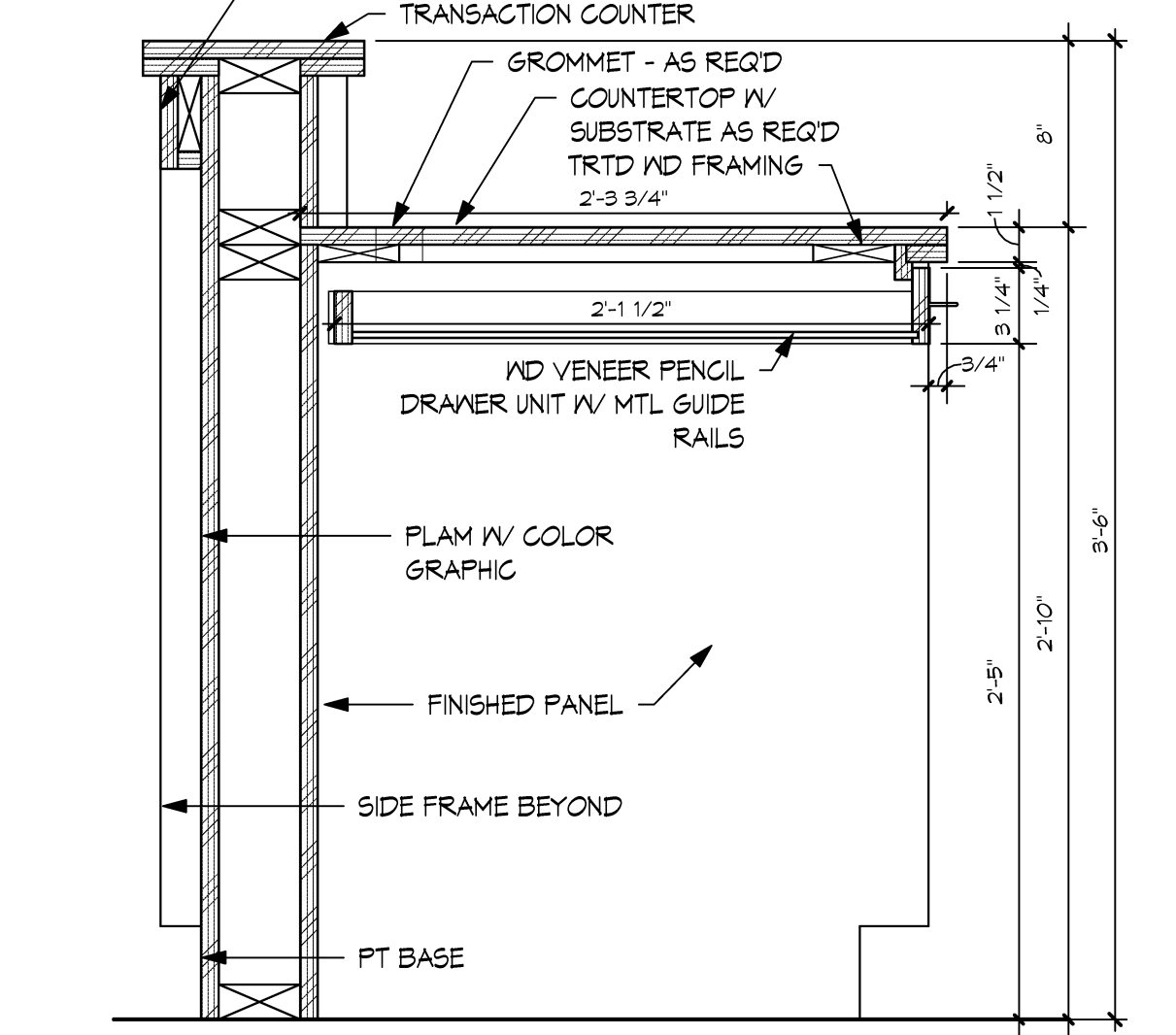
B6 VANITY SINK
SCALE | 1 1/2" = 1'-0"



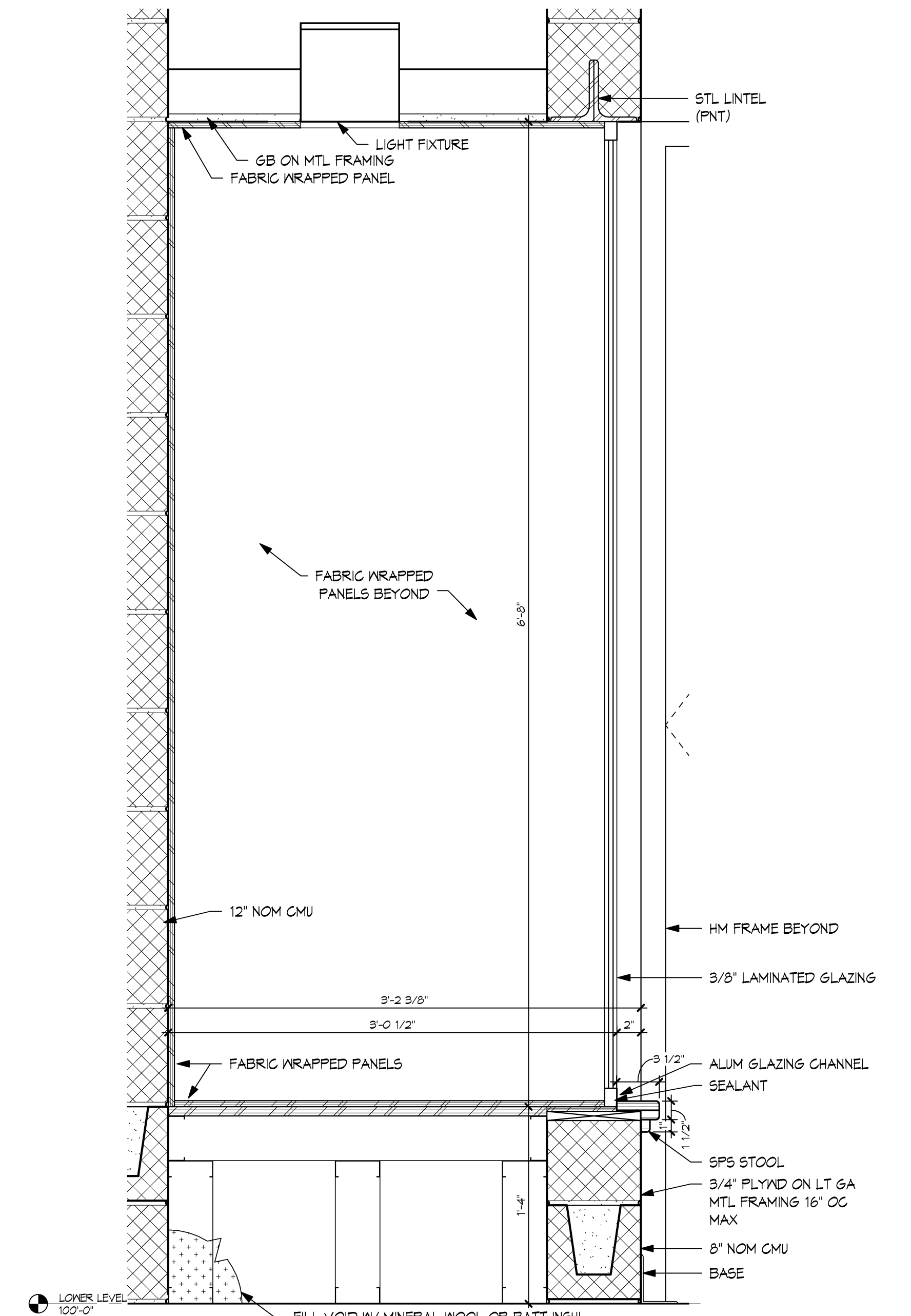
F1 DISPLAY CASE - PLAN DETAIL
SCALE | 1 1/2" = 1'-0"



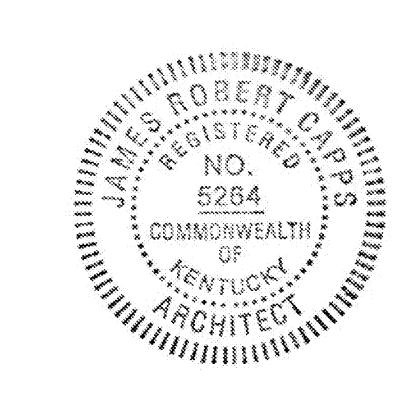
C3 RECEPTION - 3 DRAWER
SCALE | 1 1/2" = 1'-0"



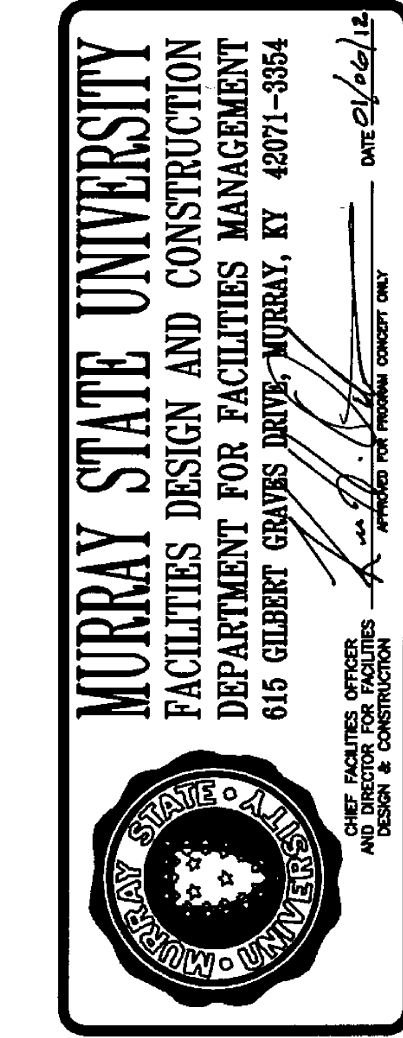
C4 RECEPTION - KO
SCALE | 1 1/2" = 1'-0"



F3 DISPLAY CASE - WALL DETAIL
SCALE | 1 1/2" = 1'-0"



Hastings+Chivetta
ARCHITECTURE • PLANNING • ENGINEERING
6275 Enterprise, Suite 500 | Louisville, Missouri 63111 | 314.883.5717 | Fax: 314.883.2833 | www.hastingschivetta.com
CIVIL, ARCHITECT, PLANNING, WORKMAN ENGINEERING & TESTING, INC., 1715 DILLIGOLD DRIVE, MURRAY, KENTUCKY 42071
CIVIL, ARCHITECT, PLANNING, WORKMAN ENGINEERING & TESTING, INC., 465 N. COURT ST., MARION, ILLINOIS 62959
MPE-MARCUM ENGINEERING, LLC, 580 SOUTH 17TH STREET, PADUCAH, KENTUCKY, 40201



MURRAY STATE UNIVERSITY
SPORTS PRACTICE FACILITY
MURRAY STATE UNIVERSITY
MURRAY, KENTUCKY
BID SET - 2012-01-04

MURRAY STATE UNIVERSITY
REVISIONS

Date	2012-01-04
H+C Project No	2983.00
FDC Project No	10-007
BFW Project No	11194
Marcum Project No	11557
Sheet Name	CASEWORK DETAILS

C:\Users\jchivetta\Documents\Projects\2983.00 SPS-2012.tblsheet
1/6/2012 3:57:53 PM