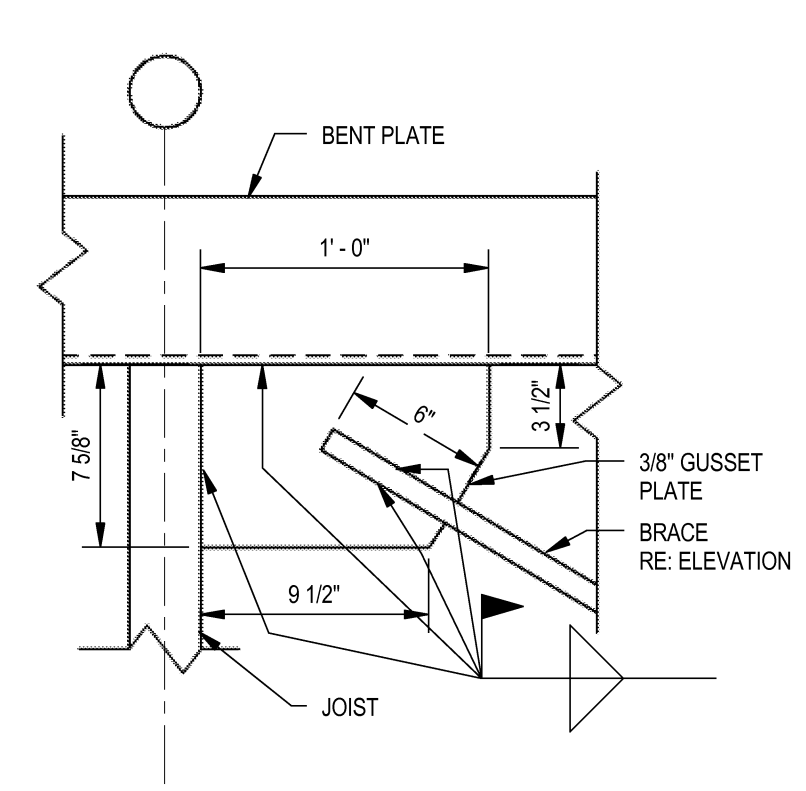


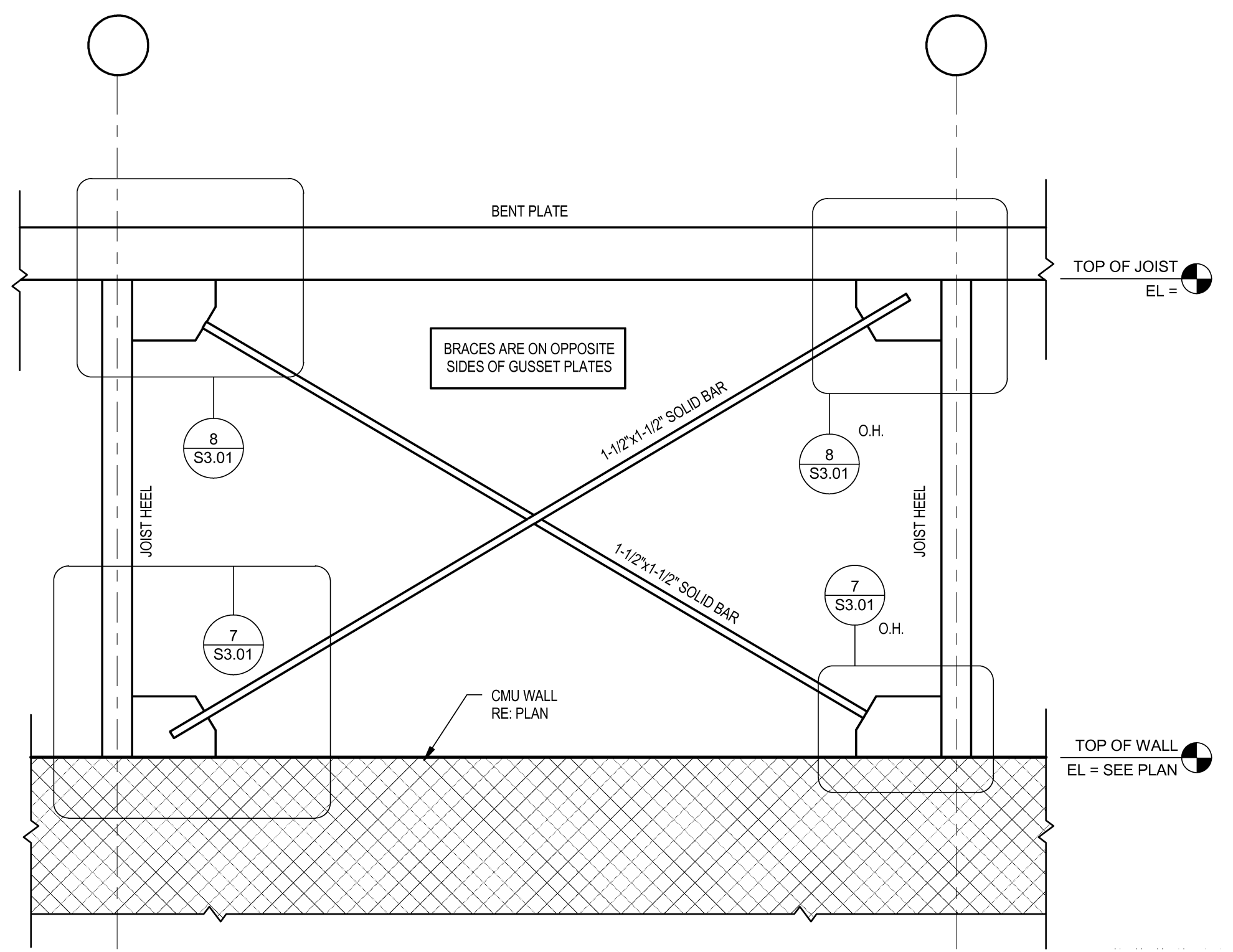
**7 TYPICAL DETAIL**

**S3.01** X-BRACE 1 TOP OF WALL CONNECTION



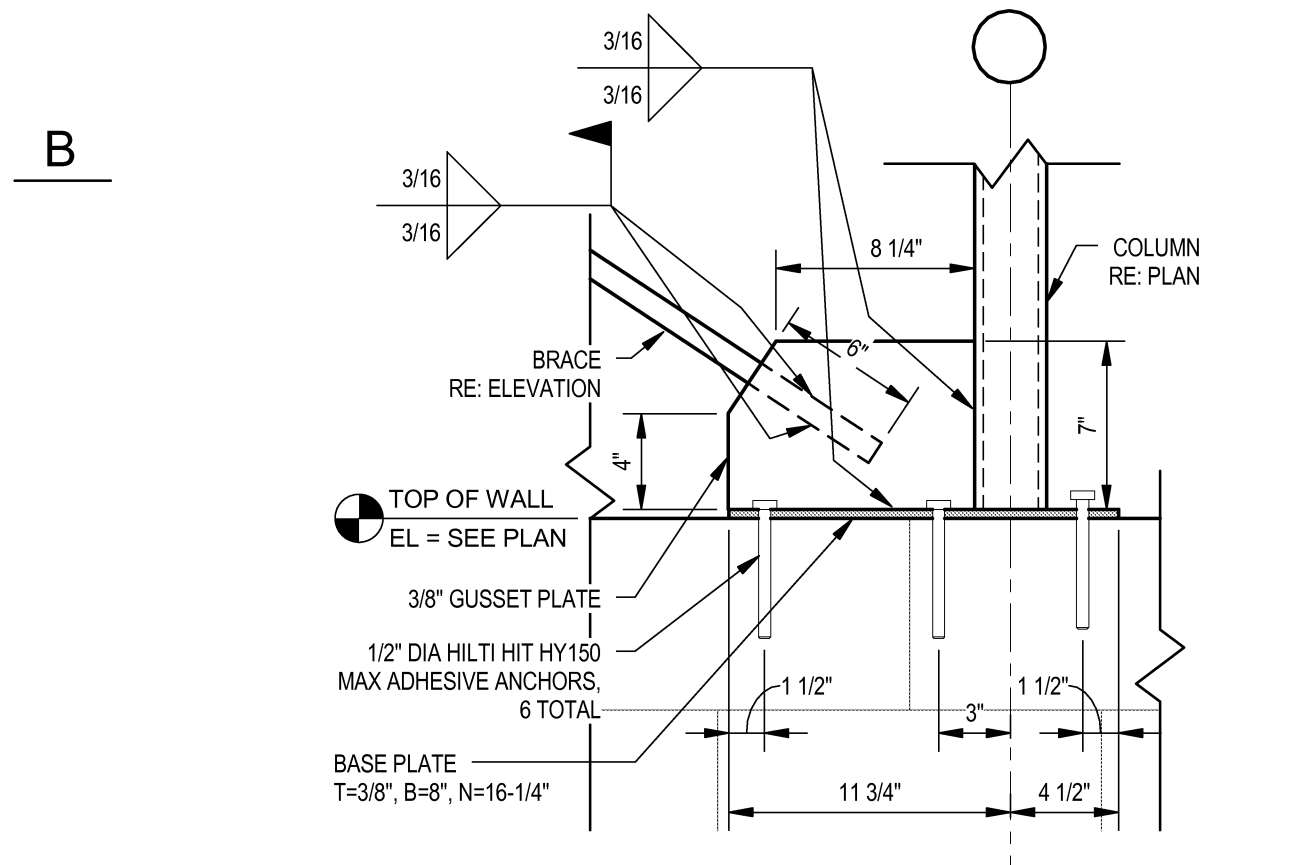
**8 TYPICAL DETAIL**

**S3.01** X-BRACE 1 TOP OF JOIST CONNECTION



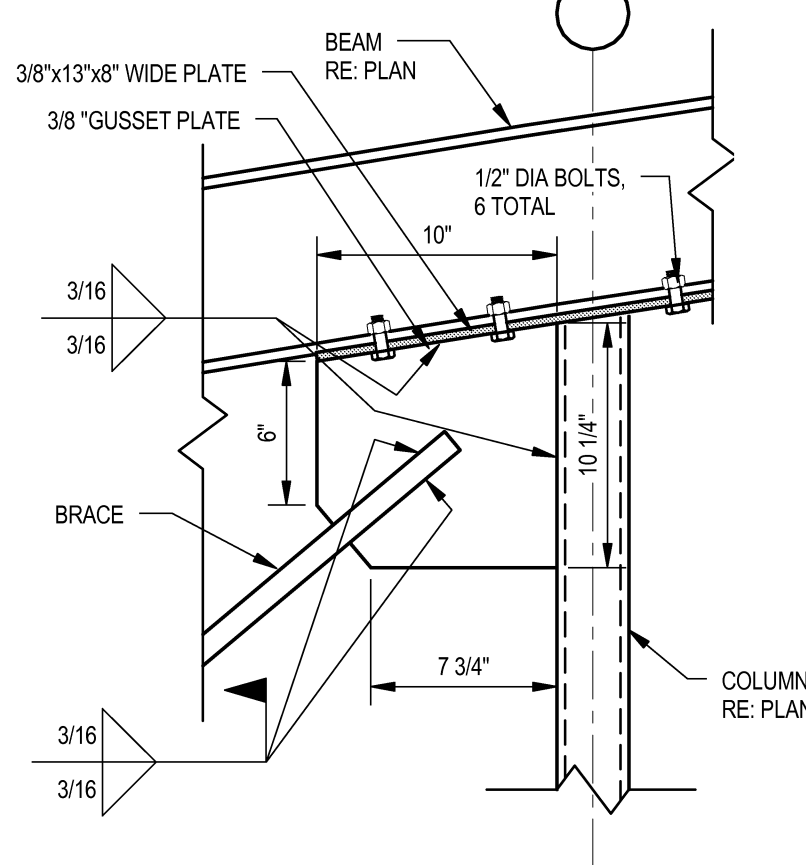
**X-BRACE 1**

3/4" = 1'-0"



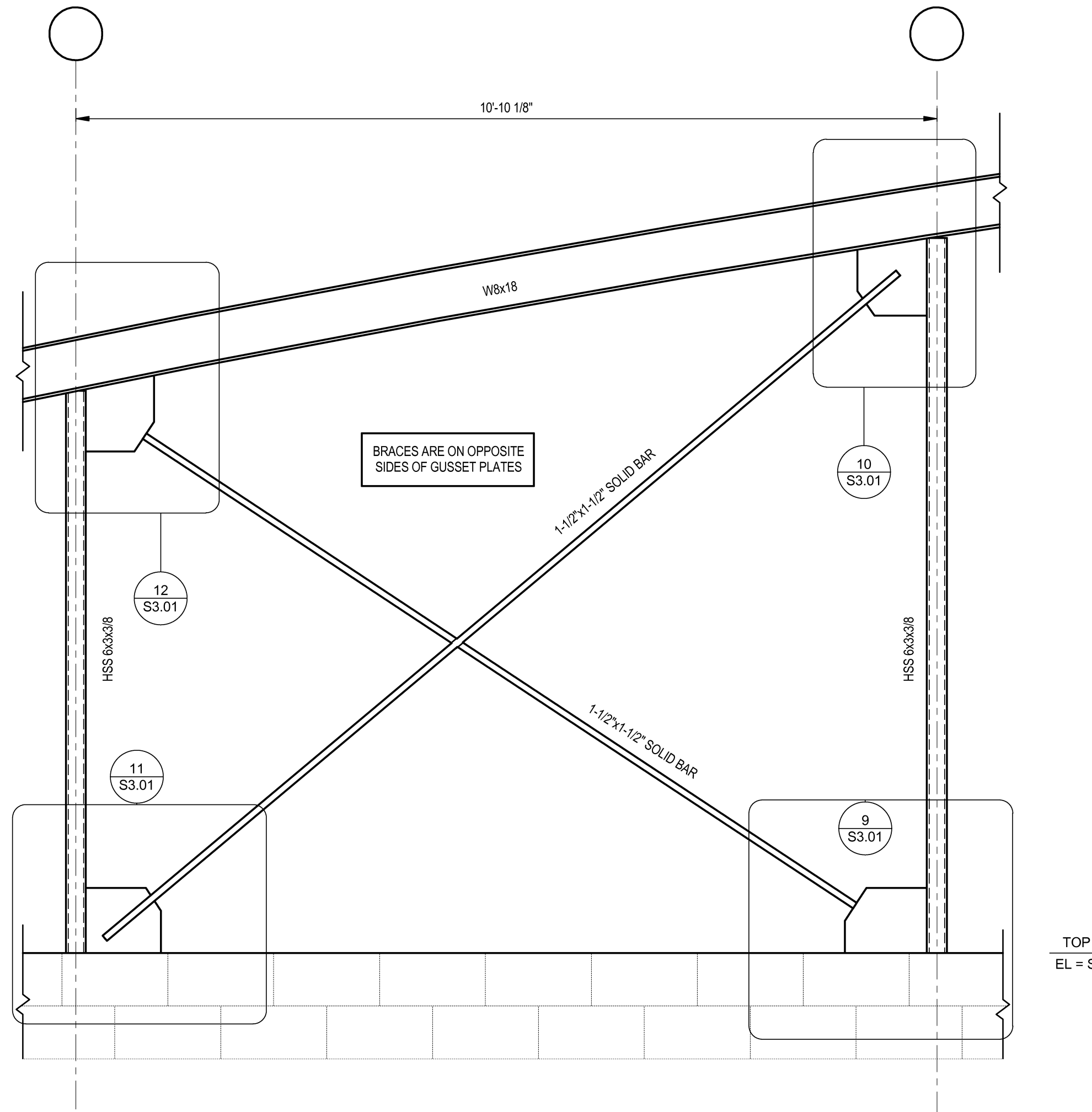
**9 TYPICAL DETAIL**

**S3.01** X-BRACE 2 CMU WALL CONNECTION 1



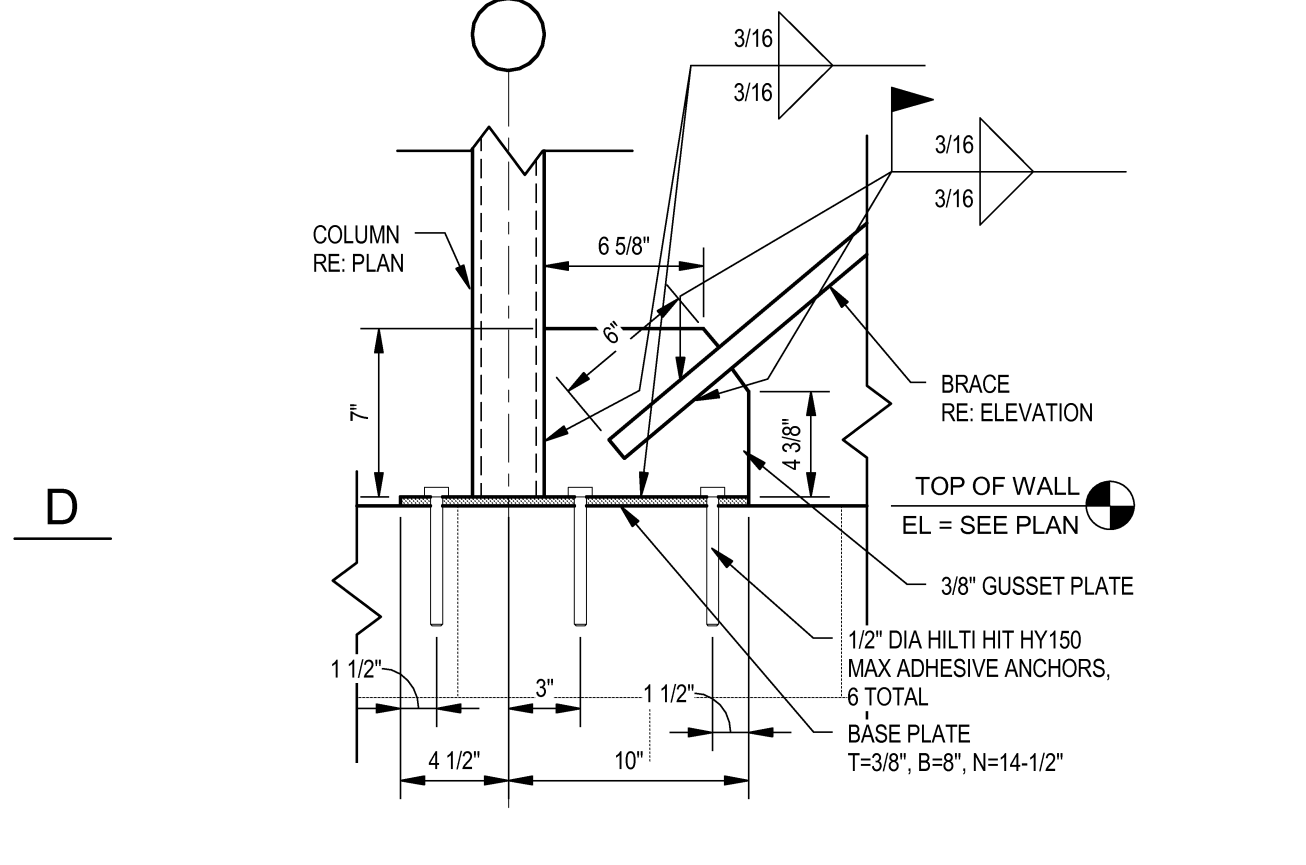
**10 TYPICAL DETAIL**

**S3.01** X-BRACE 2 BEAM CONNECTION 1



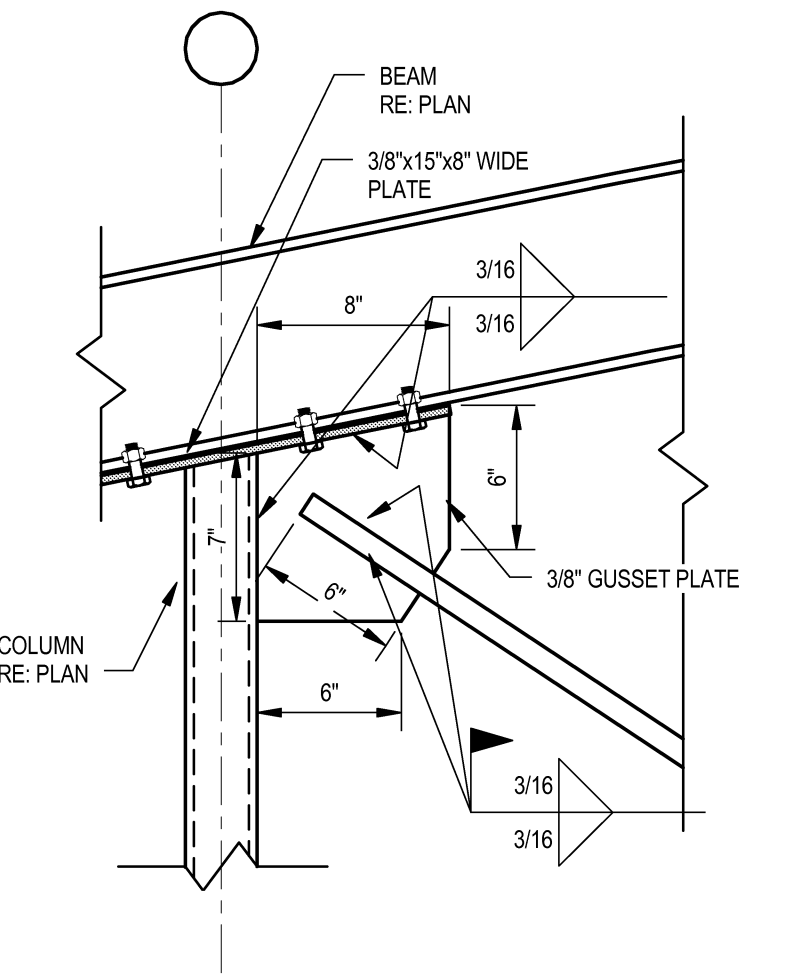
**X-BRACE 2**

3/4" = 1'-0"



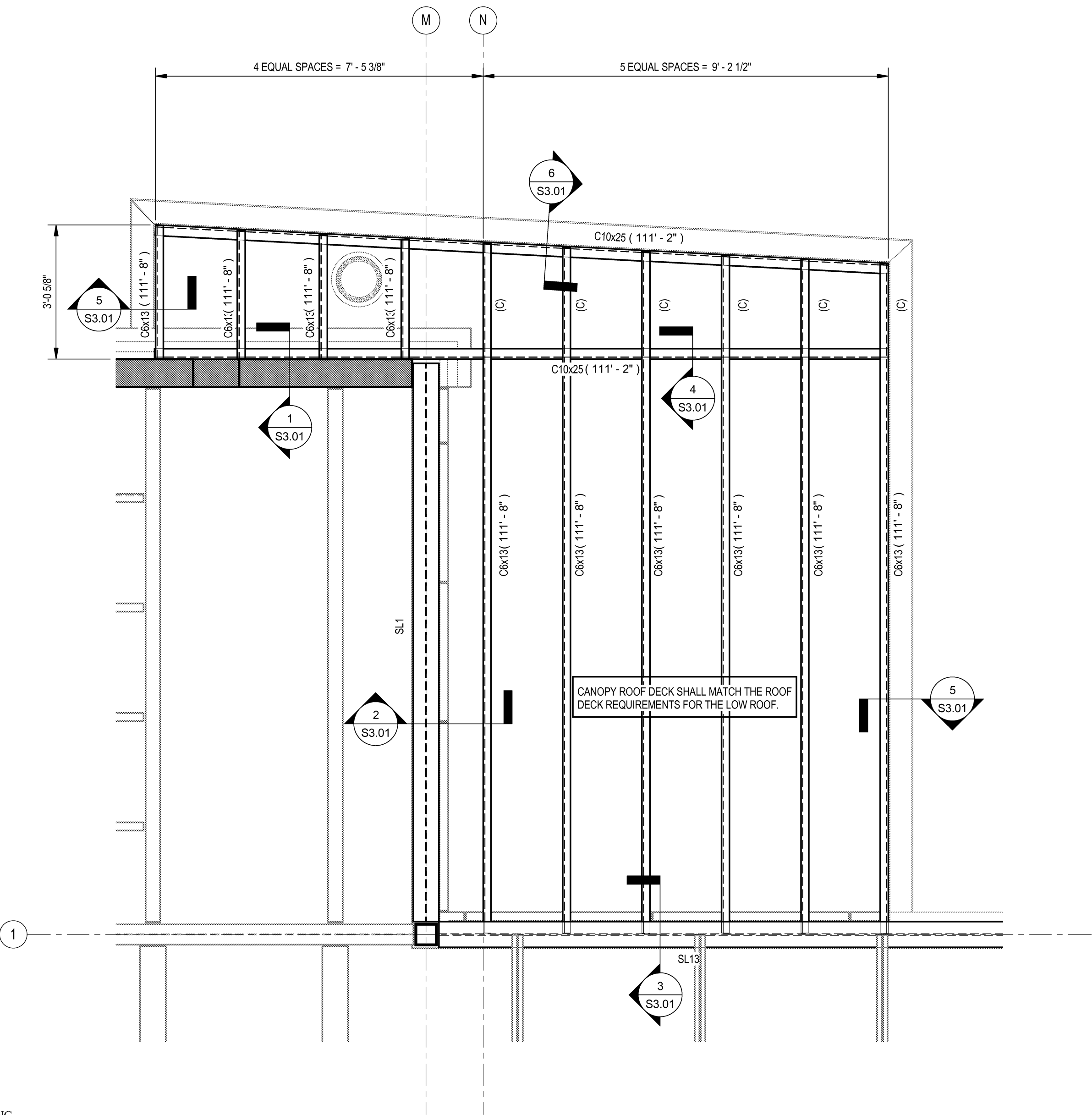
**11 TYPICAL DETAIL**

**S3.01** Callout (3) of X-BRACE 2



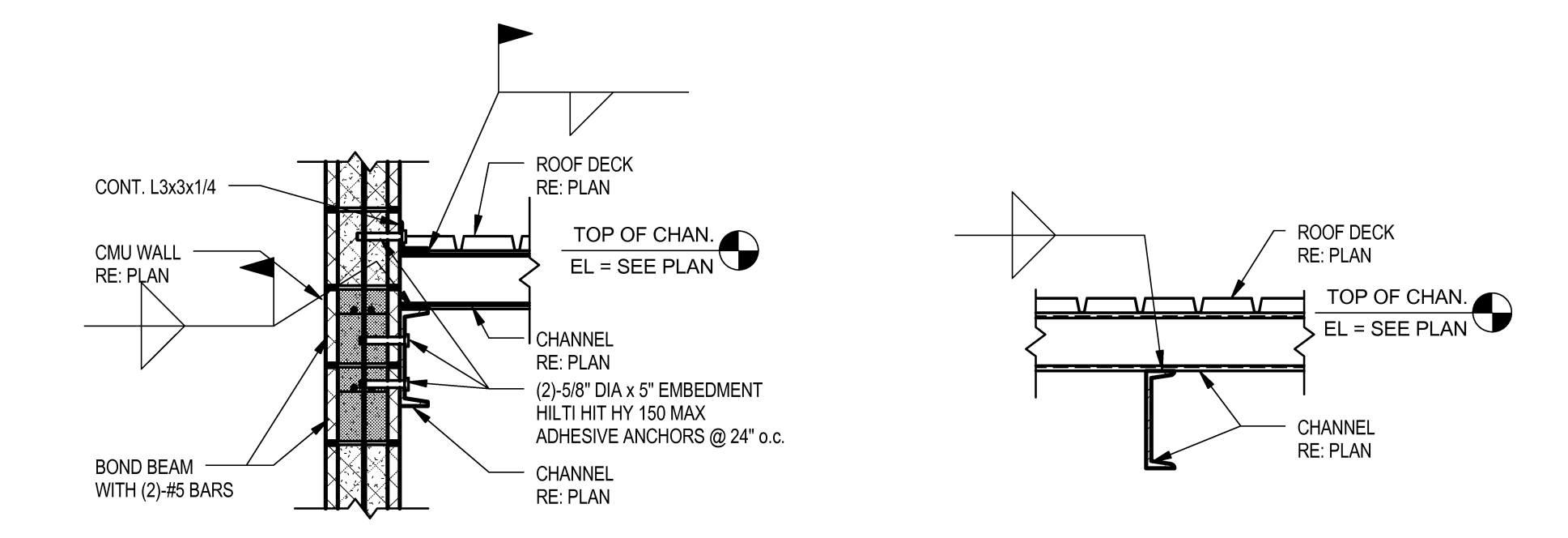
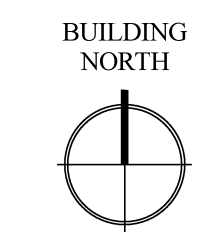
**12 TYPICAL DETAIL**

**S3.01** X-BRACE 2 BEAM CONNECTION 2



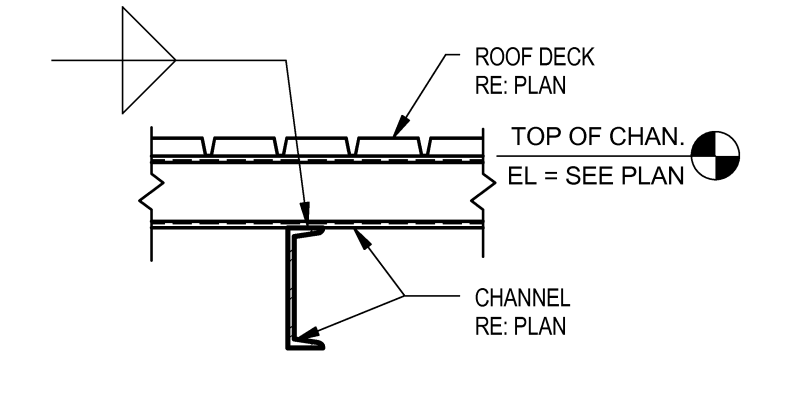
**CANOPY FRAMING PLAN**

1/2" = 1'-0"



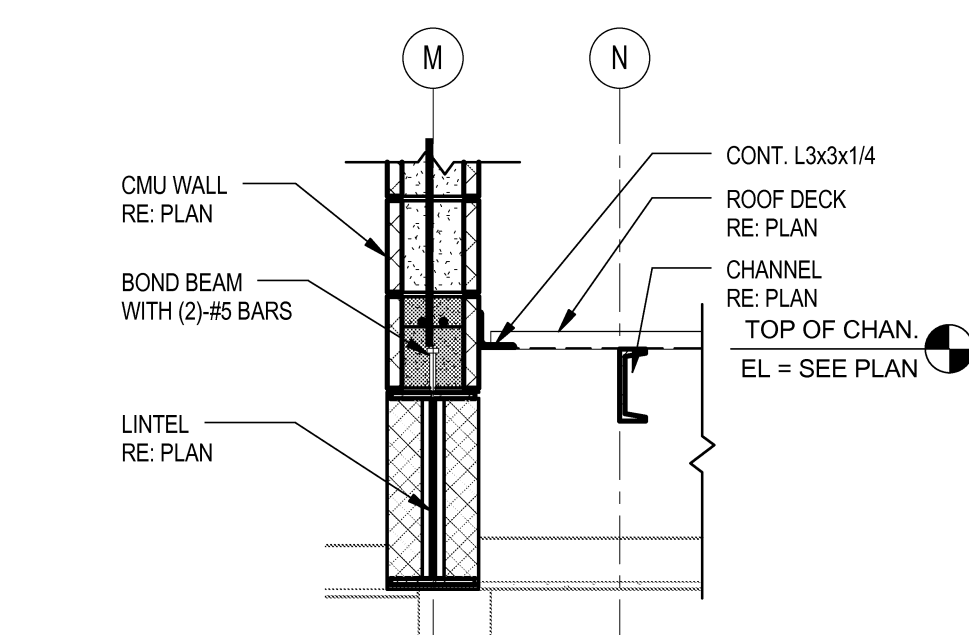
**1 TYPICAL DETAIL**

**S3.01** CANOPY FRAMING AT CMU WALL



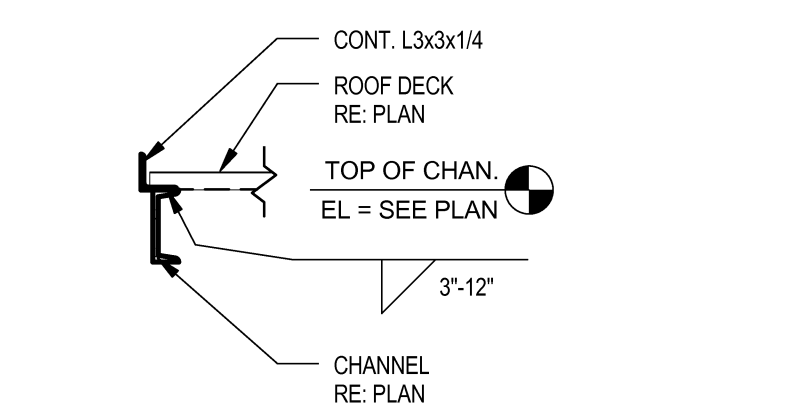
**4 TYPICAL DETAIL**

**S3.01** CANOPY CHANNEL FRAMING



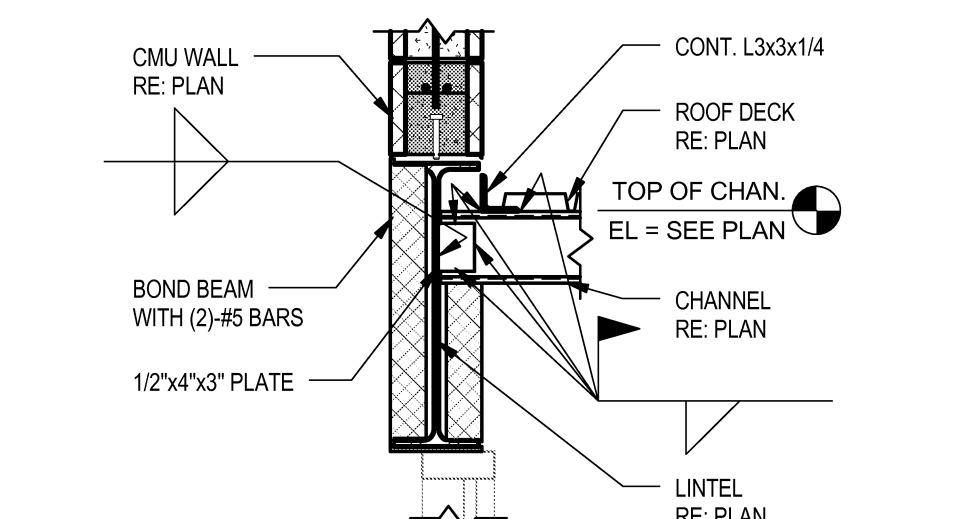
**2 TYPICAL DETAIL**

**S3.01** CANOPY FRAMING ALONG GRID 'M'



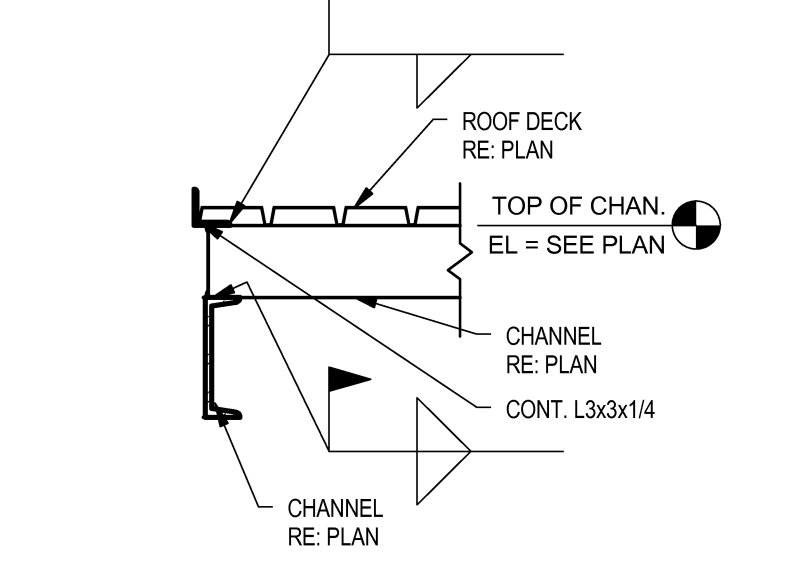
**5 TYPICAL DETAIL**

**S3.01** PERIMETER CANOPY FRAMING



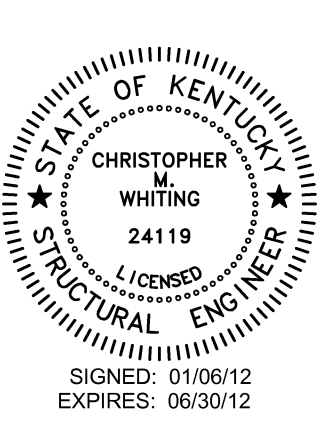
**3 TYPICAL DETAIL**

**S3.01** CANOPY FRAMING @ STEEL LINTEL



**6 TYPICAL DETAIL**

**S3.01** PERIMETER CANOPY FRAMING AT NORTH EDGE



**Hastings+Chivetta**  
 ARCHITECTURE • PLANNING • ENGINEERING  
 622 Emerson, Suite 200 | Shelton, MA 01914 | Tel: 914.863.5717 Fax: 914.863.2823 | www.hastingschivetta.com  
 CUII, BACON FARMER WORKMAN ENGINEERING & TESTING, INC. 1761 Old Forge, Murray, Kentucky 40371  
 STRUCTURAL, FACON FARMER WORKMAN ENGINEERING & TESTING, INC. 401 N. COURT ST., MARION, ILLINOIS 62959  
 MEP: MARCUM ENGINEERING, LLC, 505 SOUTH 17TH STREET, PADUCAH, KY, 42002

**MURRAY STATE UNIVERSITY**  
 FACILITIES DESIGN AND CONSTRUCTION  
 DEPARTMENT FOR FACILITIES MANAGEMENT  
 616 GILBERT DRIVE, MURRAY, KY 40371-3854  
 MURRAY STATE UNIVERSITY  
 FACILITIES DESIGN AND CONSTRUCTION  
 DEPARTMENT FOR FACILITIES MANAGEMENT  
 616 GILBERT DRIVE, MURRAY, KY 40371-3854

**SPORTS PRACTICE FACILITY**  
 MURRAY STATE UNIVERSITY  
 MURRAY, KENTUCKY  
 BID SET - 2012-01-10



REVISIONS

Date	1-10-2012
H+C Project No	11194
FDC Project No	10-007
BFW Project No	11194
Marcum Project No	11557

Sheet Name -  
**DETAILS, CANOPY FRAMING PLAN & DETAILS**



**S3.01**