

A

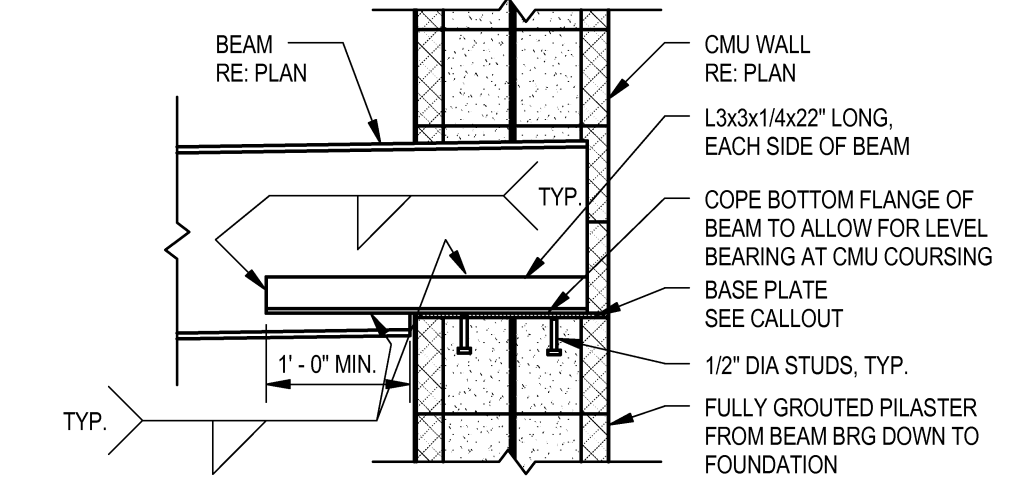
B

C

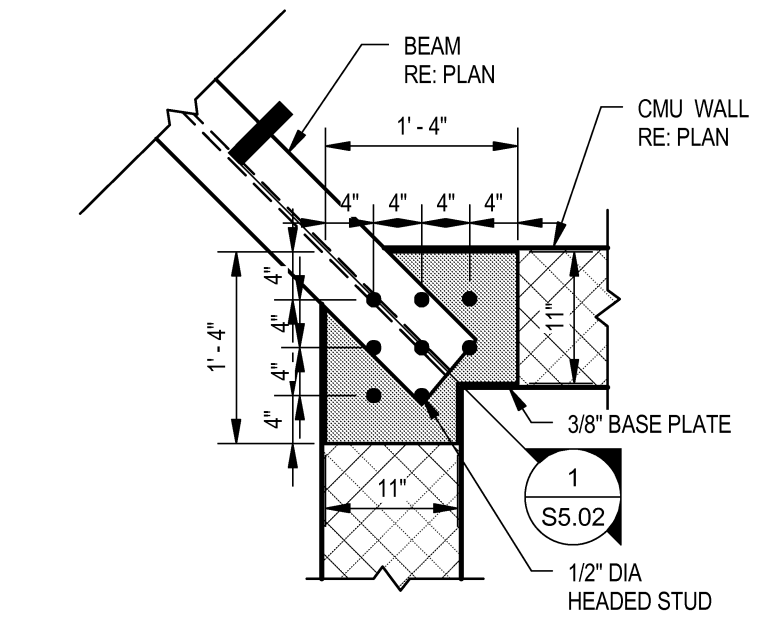
D

E

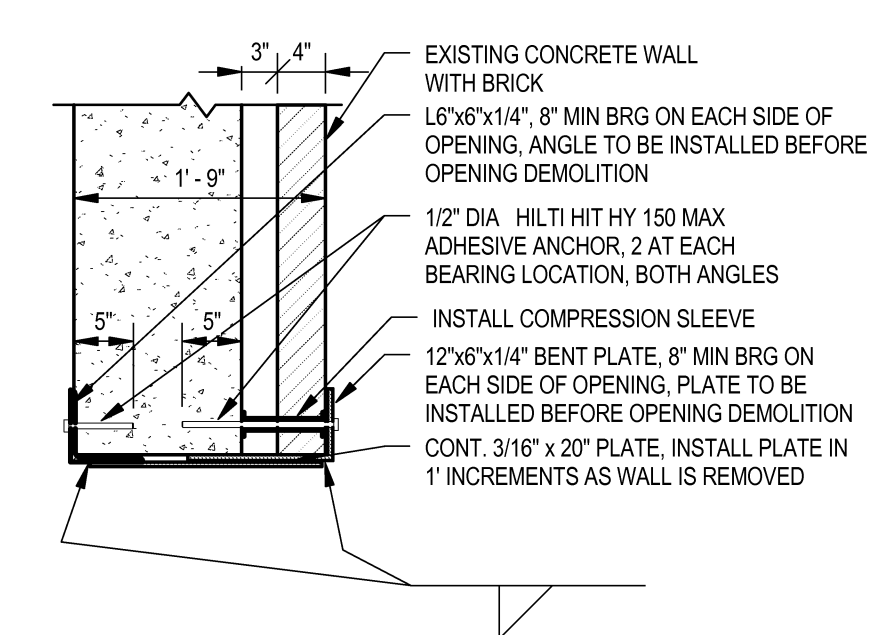
F



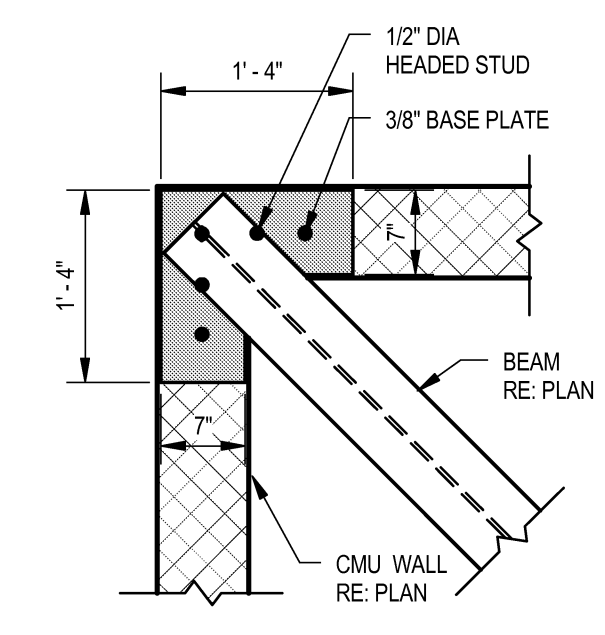
**1 TYPICAL DETAIL**  
**S5.02** WF TO GYM WALL CORNER CONNECTION



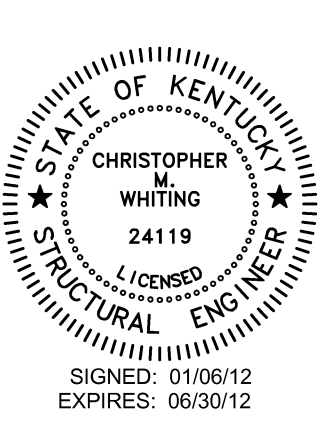
**2 TYPICAL DETAIL**  
**S5.02** WIDE FLANGE TO CMU WALL CORNER 1



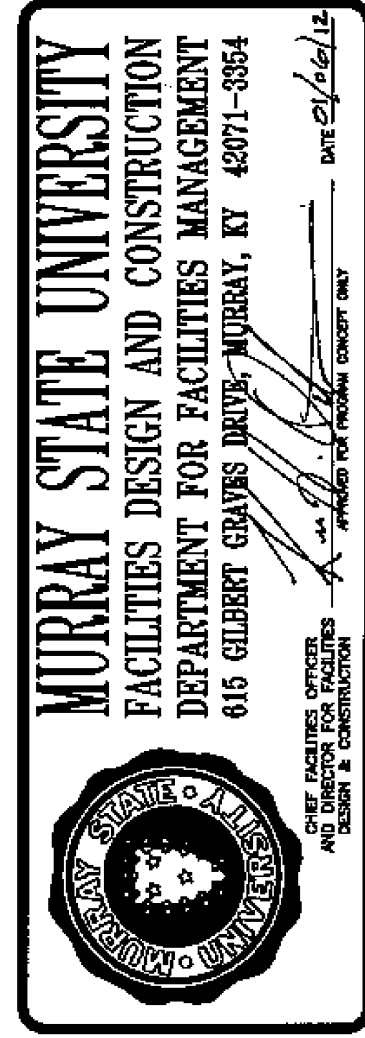
**3 TYPICAL DETAIL**  
**S5.02** LINTEL AT EXISTING WALL



**4 TYPICAL DETAIL**  
**S5.02** WIDE FLANGE TO CMU WALL CORNER 2



**Hastings+Chivetta**  
 ARCHITECTURE • PLANNING • ENGINEERING  
 622 Emerson, Suite 200 | Saint Louis, Missouri 63141 | Tel: 314.863.2717 | Fax: 314.863.2822 | www.hastingschivetta.com  
 CUII, BACON FARMER WORKMAN ENGINEERING & TESTING, INC. 1015 OGDON DRIVE, MURRAY, KENTUCKY 40371  
 STRUCTURAL, FACILITY, FACILITY WORKMAN ENGINEERING & TESTING, INC. 403 N. COURT ST., MARION, ILLINOIS 62559  
 MEP, MARCUM ENGINEERING, LLC, 509 SOUTH 17TH STREET, PADUCAH, KY, 42002



**MURRAY STATE UNIVERSITY**  
 FACILITIES DESIGN AND CONSTRUCTION  
 DEPARTMENT FOR FACILITIES MANAGEMENT  
 616 GILBERT DRIVE, MURRAY, KY 40371-3854  
 MURRAY STATE UNIVERSITY  
 FACILITIES MANAGEMENT  
 616 GILBERT DRIVE, MURRAY, KY 40371-3854

**MURRAY STATE UNIVERSITY**  
 STATE UNIVERSITY  
 MURRAY, KENTUCKY  
 BID SET - 2012-01-10

REVISIONS

Date -	1-10-2012
H+C Project No -	11194
FDC Project No -	10-007
BFW Project No -	11194
Marcum Project No -	11557
Sheet Name -	FRAMING DETAILS



**S5.02**