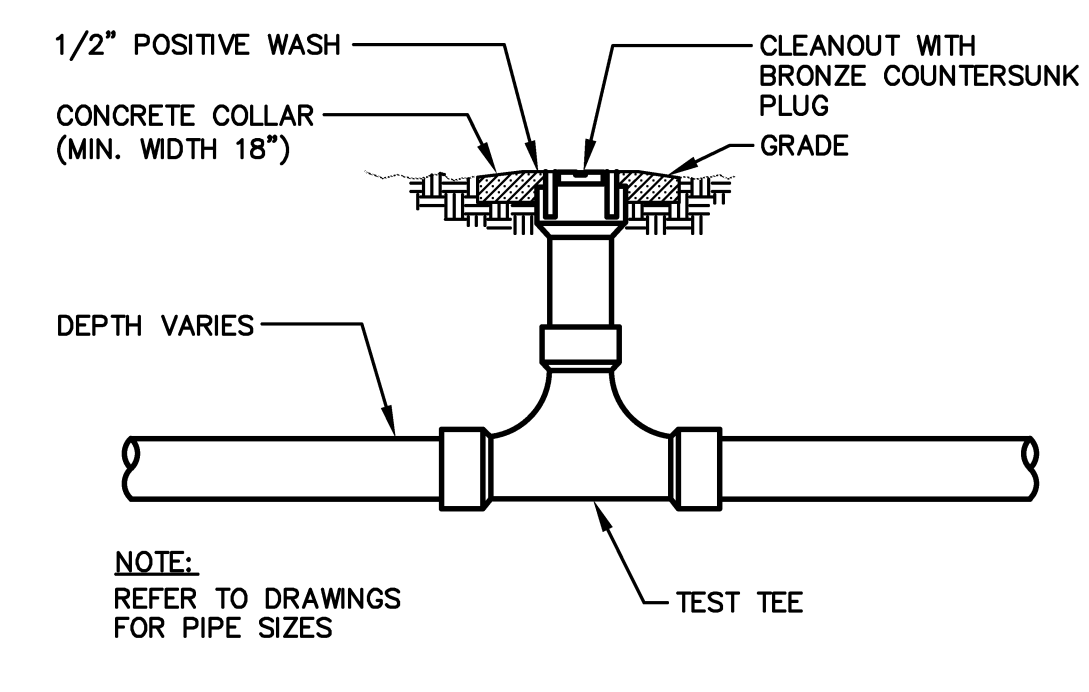
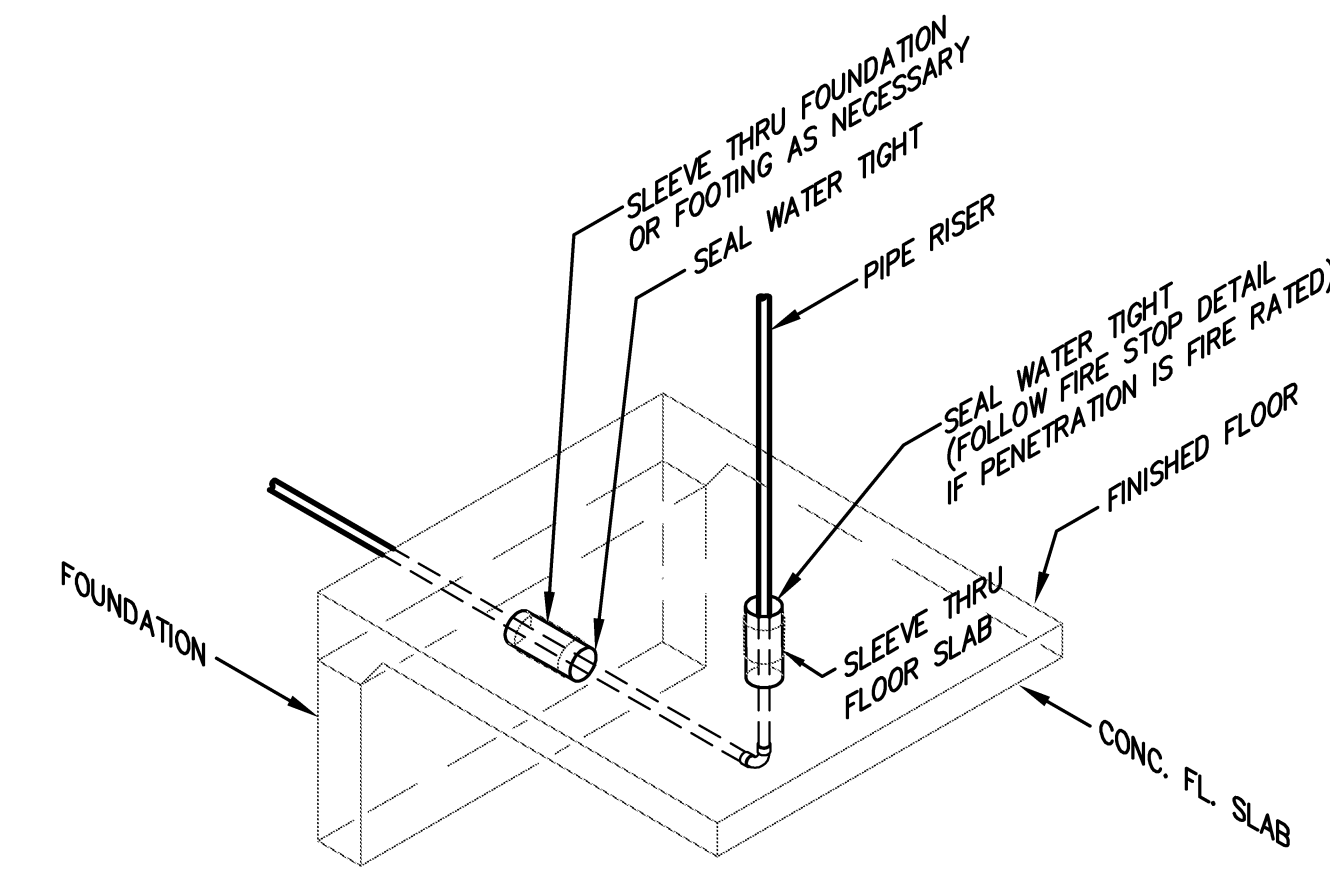


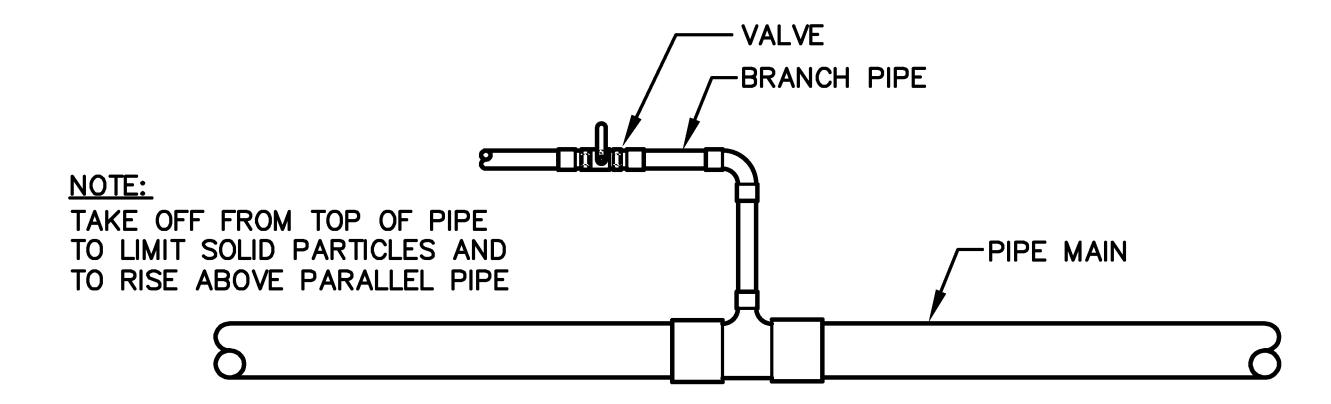
**1 CLEANOUT DETAIL**  
 NO SCALE



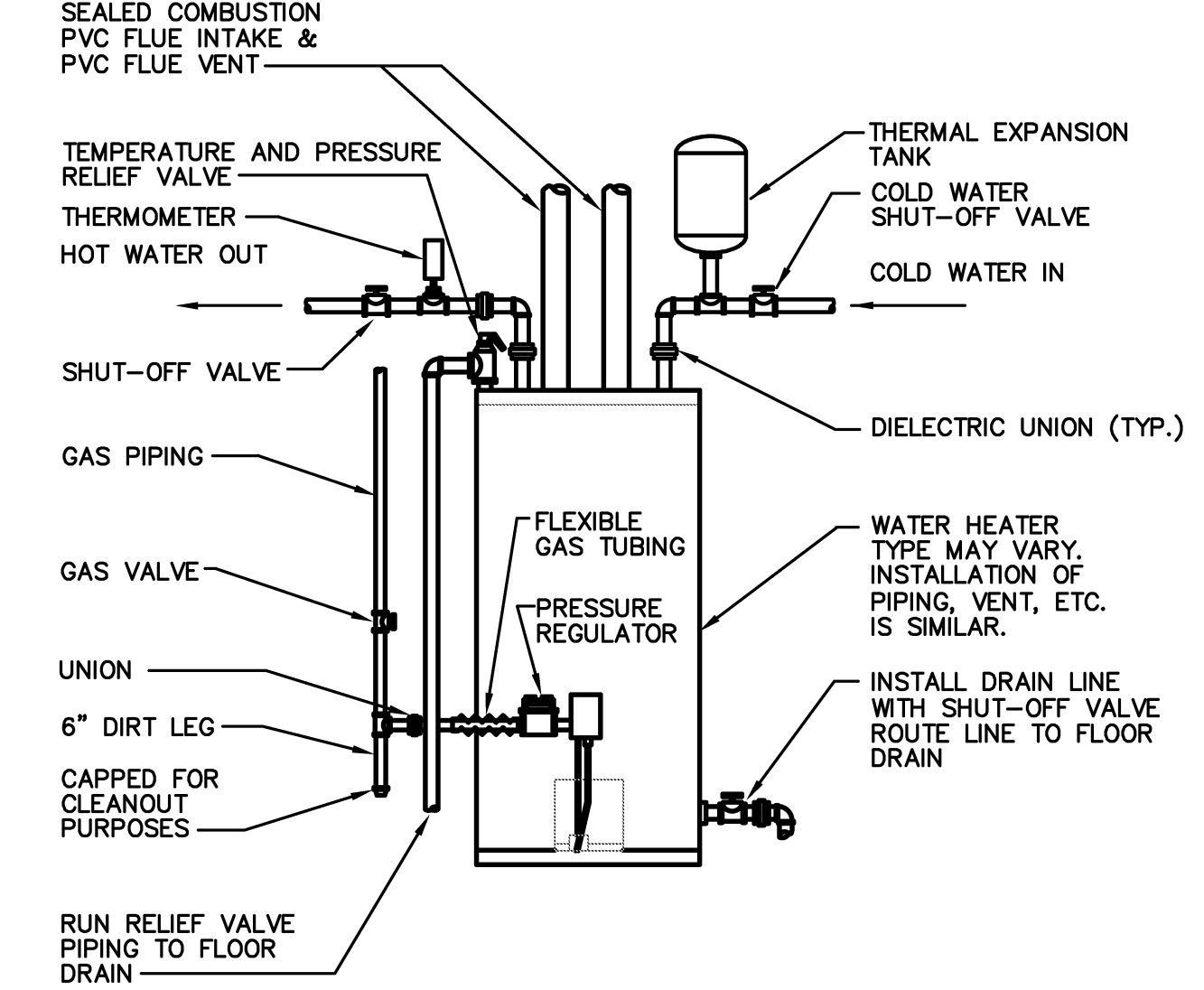
**2 COMBINATION TEST TEE AND CLEANOUT DETAIL**  
 NO SCALE



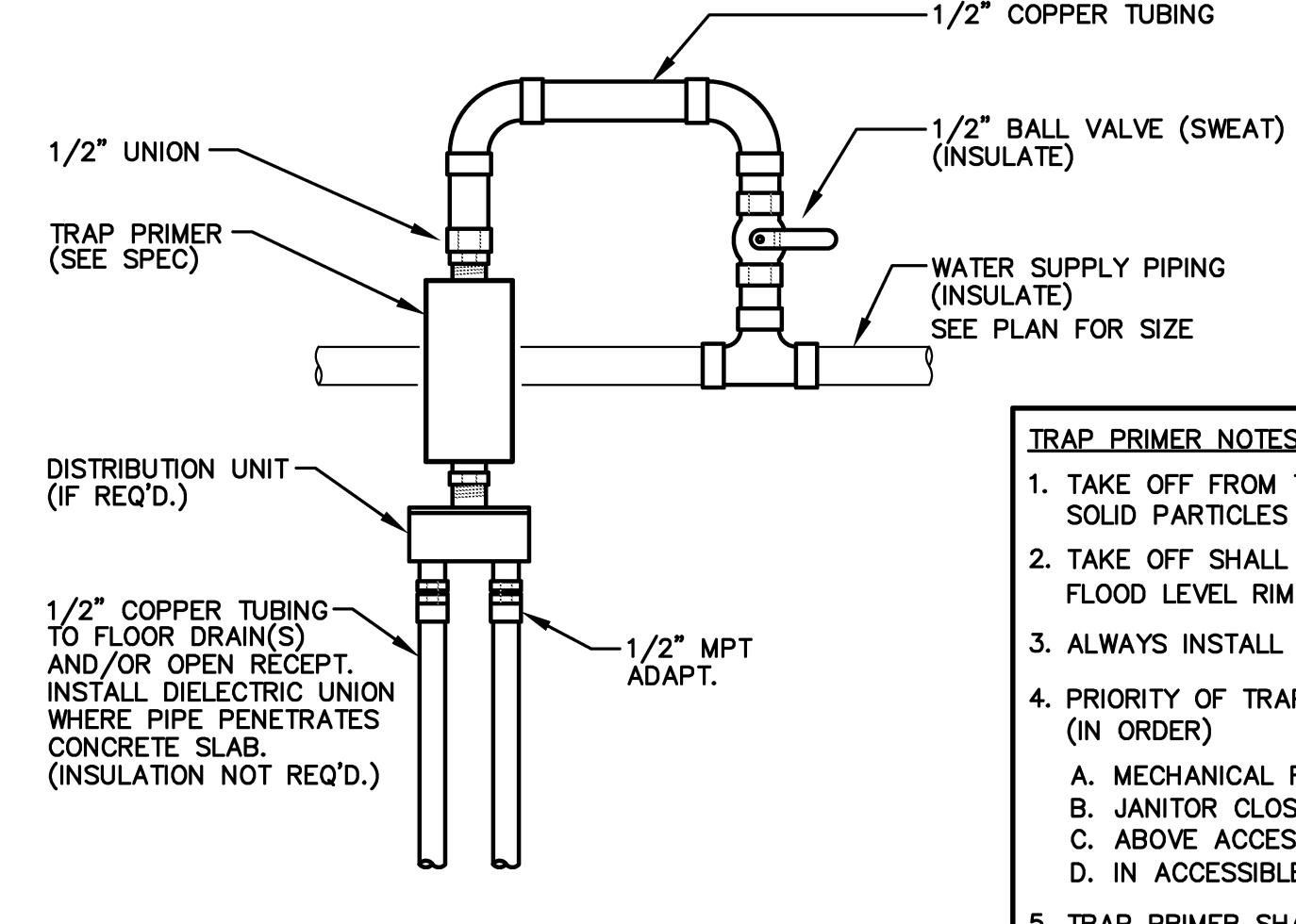
**3 PIPE PENETRATION DETAIL**  
 NO SCALE



**4 PIPE TAKE OFF DETAIL**  
 NO SCALE

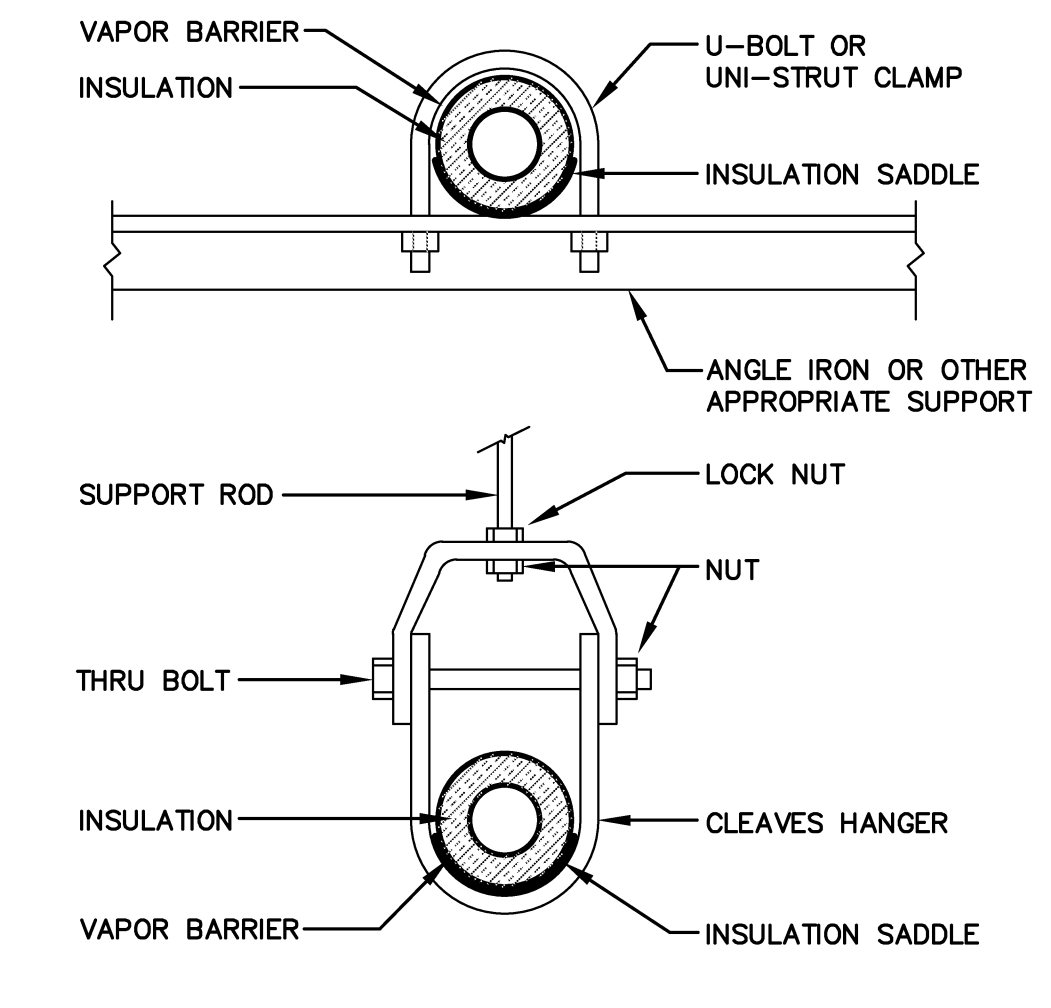


**5 GAS WATER HEATER DETAIL**  
 NO SCALE



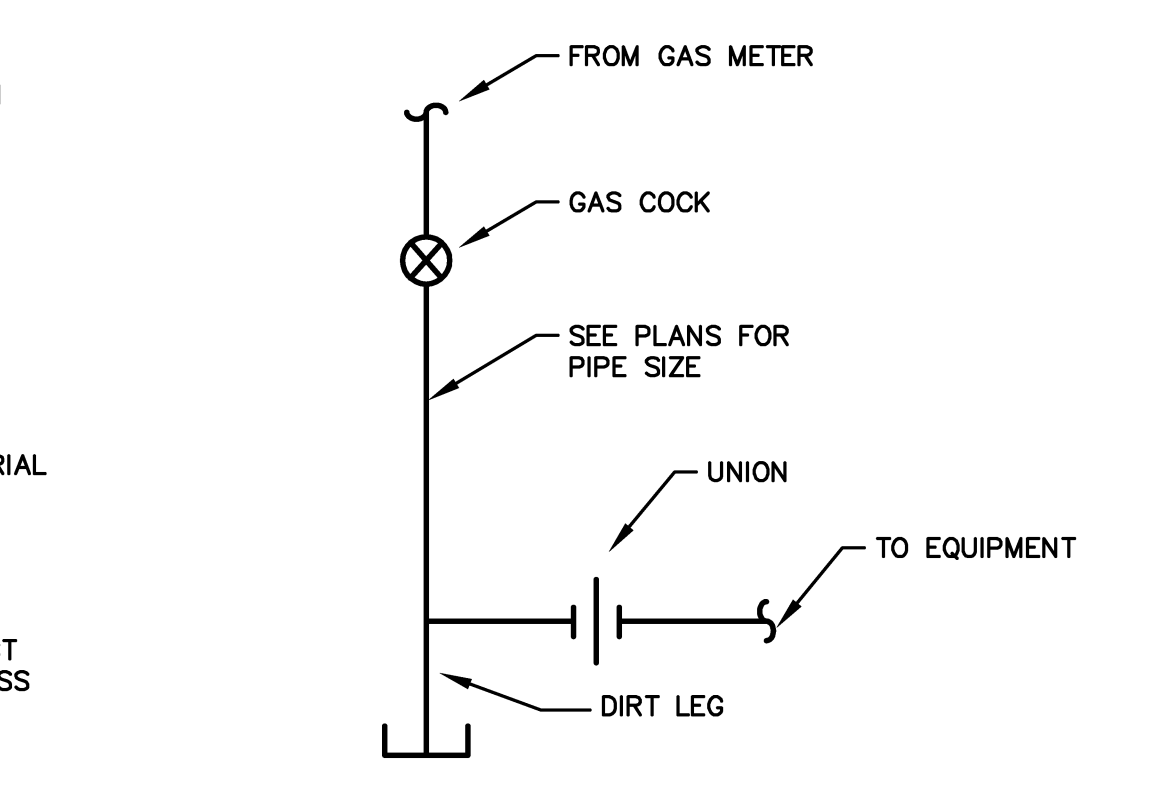
**6 TRAP PRIMER DETAIL**  
 NO SCALE

**TRAP PRIMER NOTES:**  
 1. TAKE OFF FROM TOP OF PIPE TO LIMIT SOLID PARTICLES ENTERING TRAP PRIMER  
 2. TAKE OFF SHALL BE MIN. 12" ABOVE FLOOD LEVEL RIM OF FLOOR DRAIN  
 3. ALWAYS INSTALL IN ACCESSIBLE AREA  
 4. PRIORITY OF TRAP PRIMER LOCATION (IN ORDER)  
 A. MECHANICAL ROOMS  
 B. JANITOR CLOSETS/ROOMS  
 C. ABOVE ACCESSIBLE CEILINGS WHEN HEATED  
 D. IN ACCESSIBLE PLUMBING CHASES  
 5. TRAP PRIMER SHALL BE ACCESSIBLE FOR MAINTENANCE. IF THE ABOVE LOCATIONS ARE NOT PRACTICAL, LOCATE PRIMER IN AN INTERIOR WALL AND FURNISH AND INSTALL A PAINTABLE STEEL, KEY LOCKED ACCESS DOOR WITH FRAME.

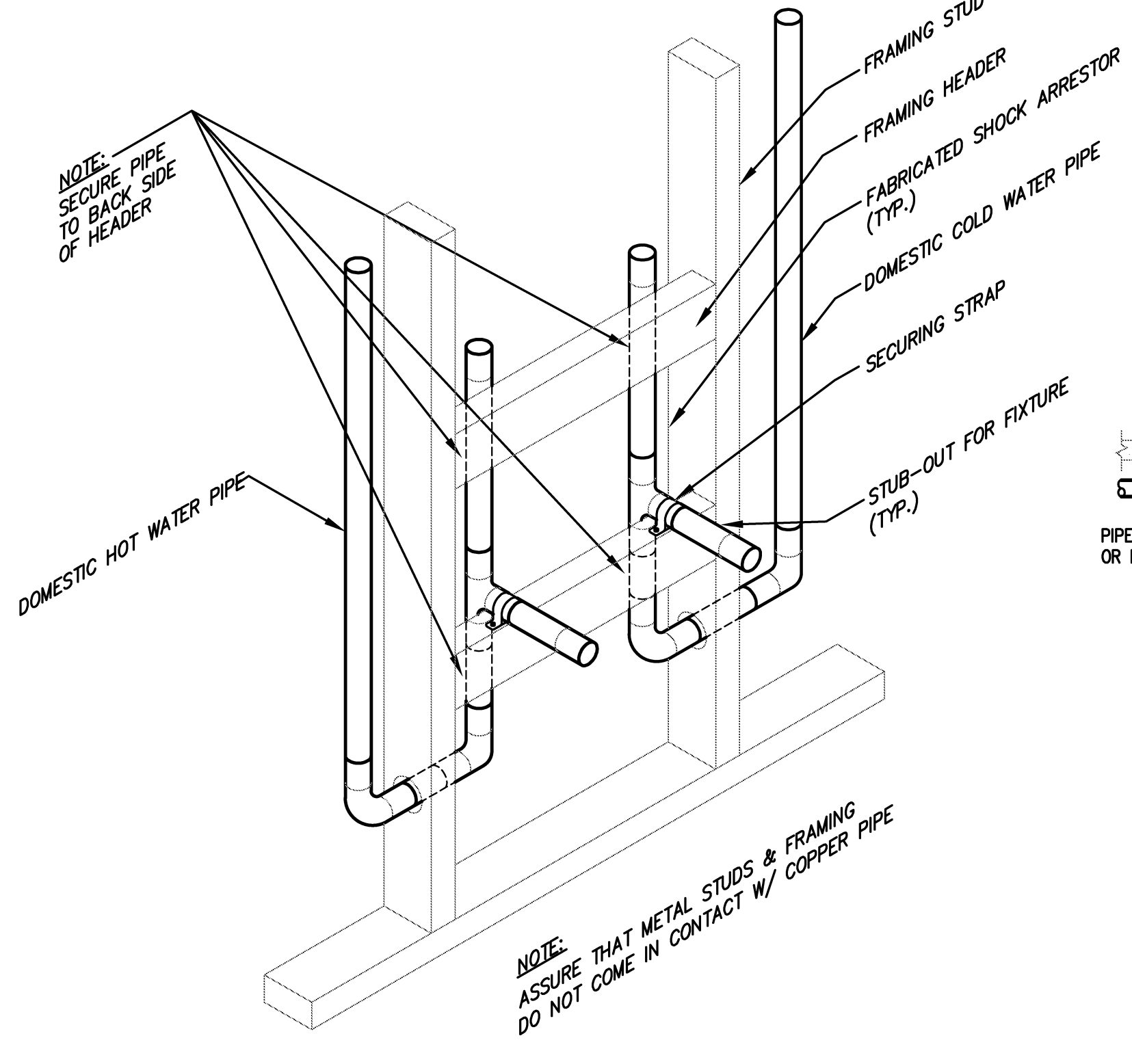


**7 PLUMBING PIPE SUPPORT DETAIL**  
 NO SCALE

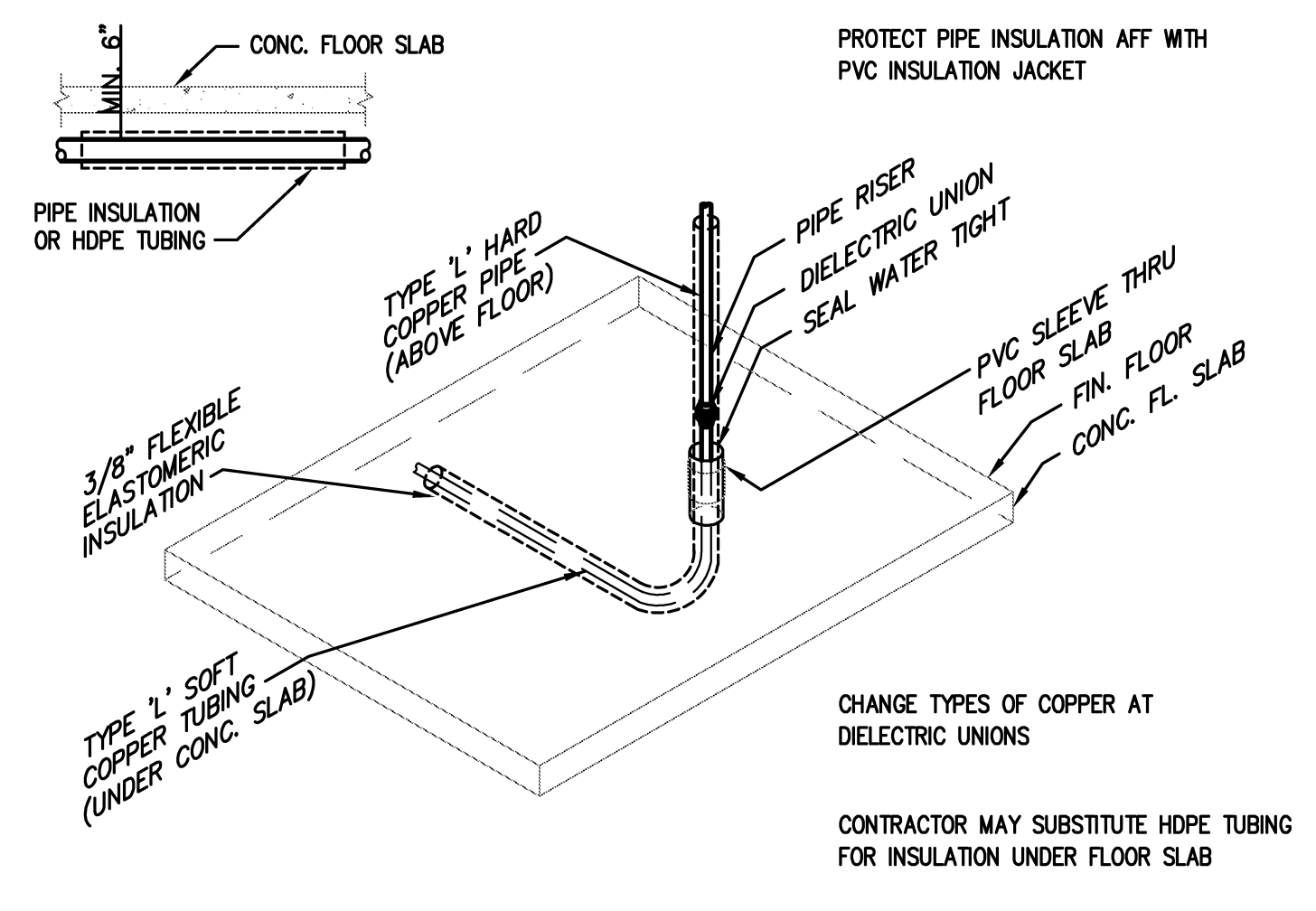
- NOTES:**
1. THIS METHOD FOR PIPE SUPPORT AND INSULATION PROTECTION SHALL BE USED UNLESS SPECIFICALLY APPROVED OTHERWISE.
  2. COPPER PIPING SHALL BE ISOLATED FROM CONTACT WITH HANGER.
  3. INSULATION SADDLE SHALL BE USED TO SPREAD FORCE OVER A LARGER AREA OF THE INSULATION TO PREVENT CRUSHING.
  4. THE INSULATION SHALL BE CONTINUOUS THROUGH HANGER.
  5. THE VAPOR BARRIER SHALL BE CONTINUOUS THROUGH HANGER.
  6. REFER TO DRAWINGS AND SPECIFICATIONS FOR PIPING MATERIAL AND SIZE.
  7. REFER TO SPECIFICATIONS FOR INSULATION MATERIAL AND SIZE.
  8. FOR LARGE SIZE PIPE, SUPPORT SHOES MAYBE REQUIRED. SEE SPECIFICATIONS.
  9. WHERE INSULATION IS REQUIRED, INSTALL CORRECT SIZE HANGER FOR PIPE AND INSULATION THICKNESS REQUIREMENTS.
  10. WHERE INSULATION IS NOT REQUIRED, INSTALL CORRECT SIZE HANGER FOR PIPE.



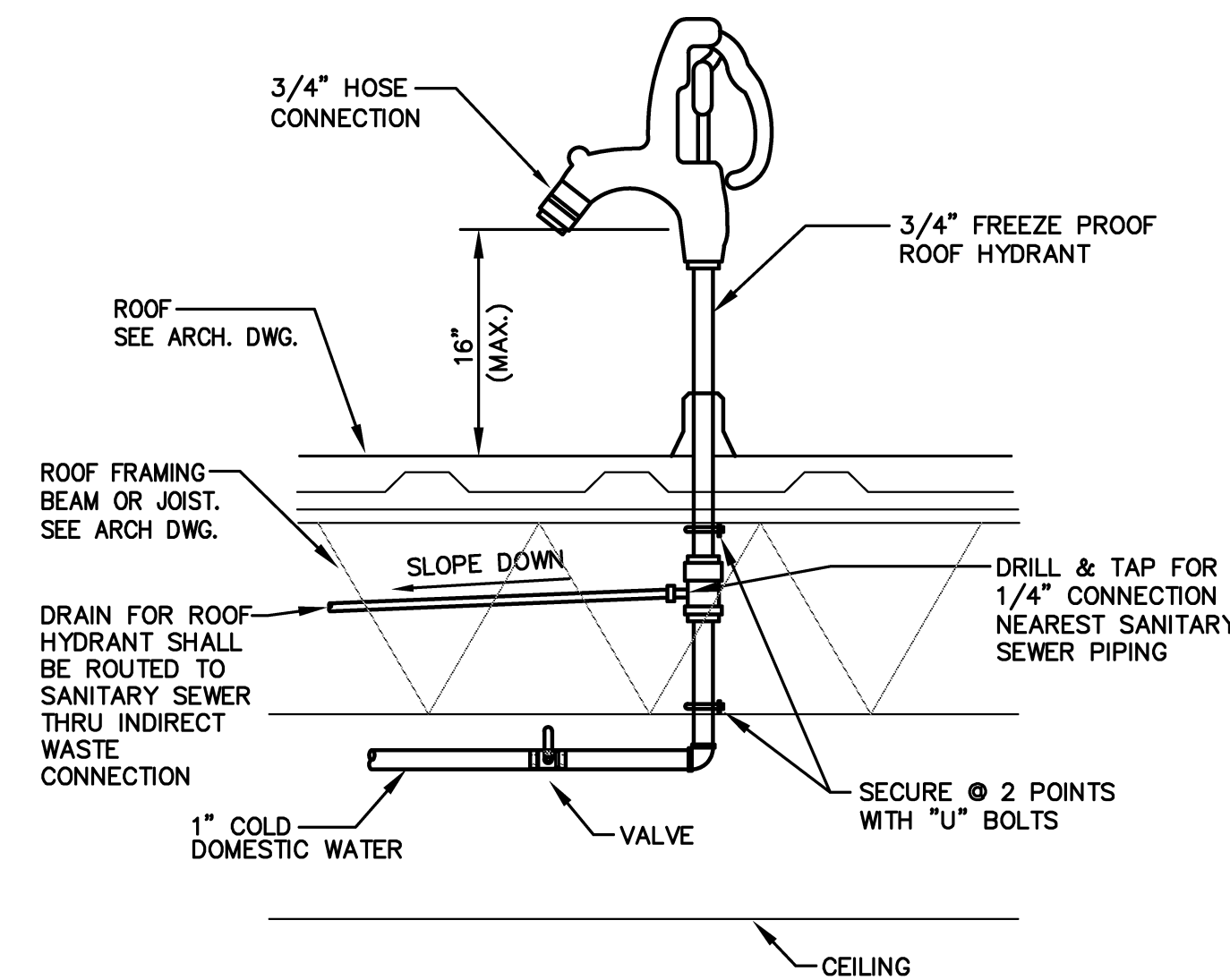
**8 GAS CONNECTION DETAIL**  
 NO SCALE



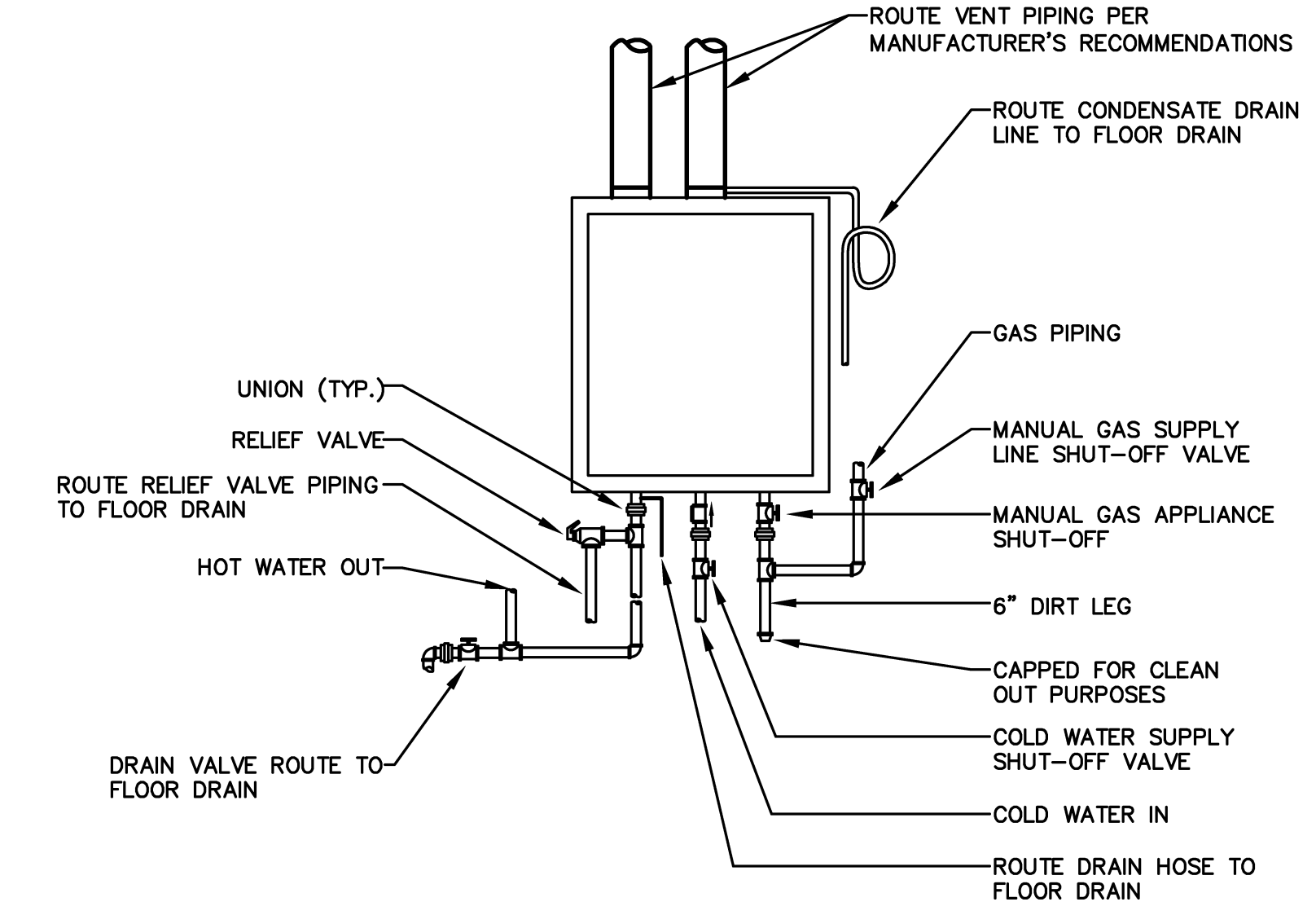
**9 FIXTURE SUPPLY DETAIL**  
 NO SCALE



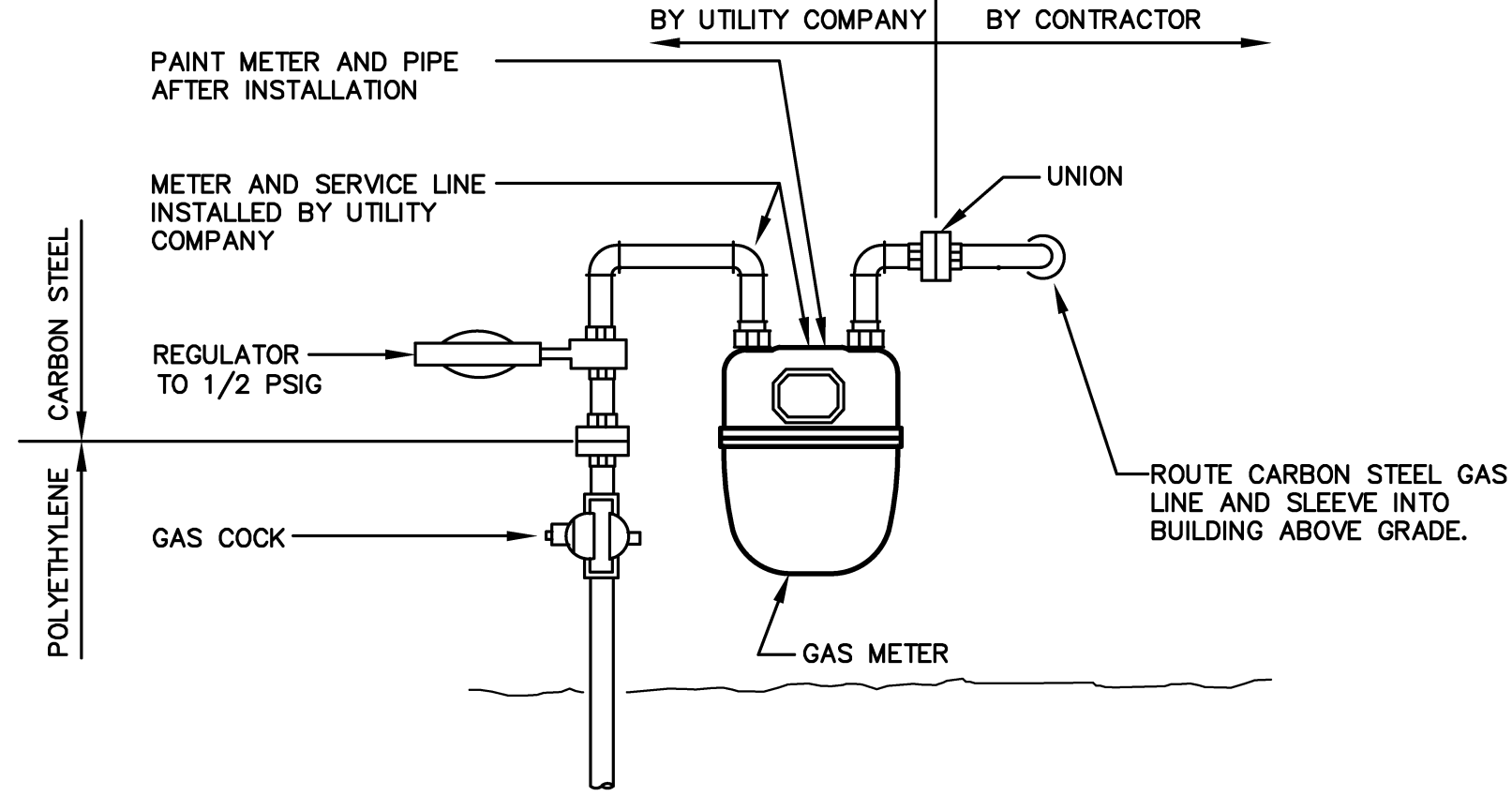
**10 DOMESTIC WATER PIPE UNDER FLOOR SLAB DETAIL**  
 NO SCALE



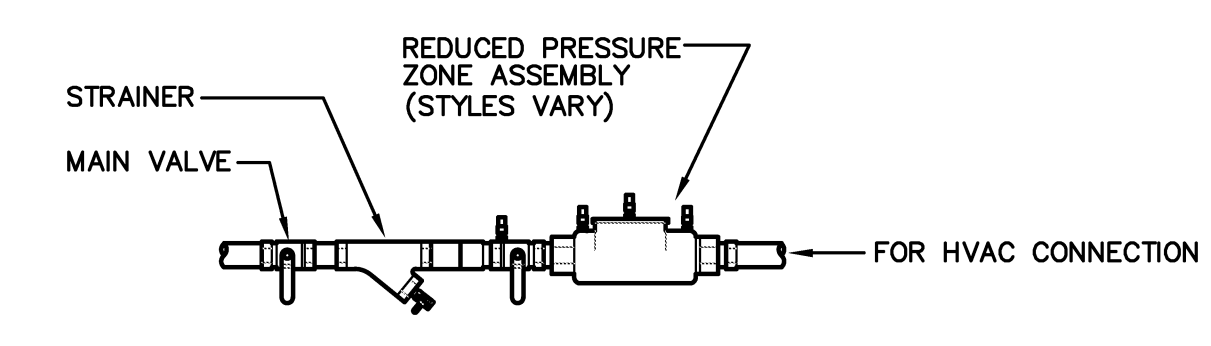
**11 FREEZE PROOF ROOF HYDRANT DETAIL**  
 NO SCALE



**12 INSTANTANEOUS GAS WATER HEATER DETAIL (ALTERNATE)**  
 NO SCALE

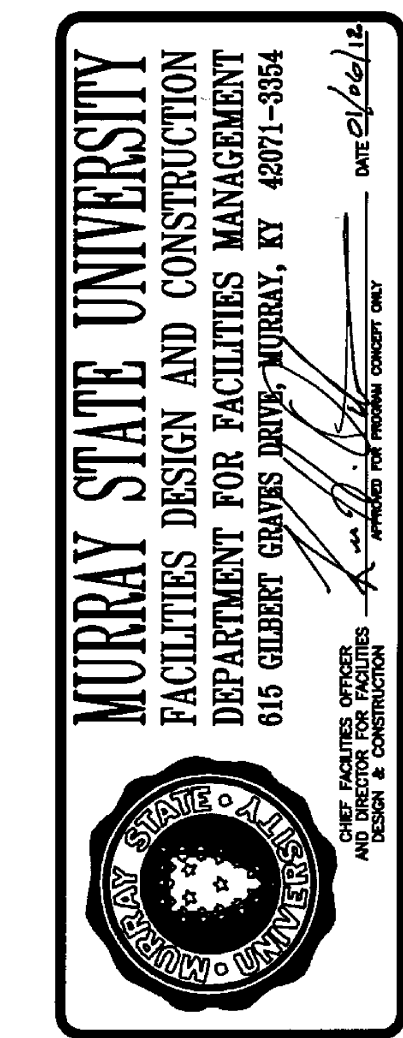


**13 GAS METER DETAIL**  
 NO SCALE



**14 BACKFLOW PREVENTER FOR HVAC CONNECTION**  
 NO SCALE

**Hastings+Chivetta**  
 ARCHITECTURE • PLANNING • ENGINEERING  
 CIVIL/BAZON, FARMER, WORMAN ENGINEERING & TESTING, INC., 1242 DULGID DRIVE, MURRAY, KENTUCKY 42071  
 622 Emerson, Suite 200, 1 South, Louisville, Missouri 63241 | Tel: 314.883.2711 | Fax: 314.883.2823 | www.hastingschivetta.com  
 615 GIBBERT DRIVE, MURRAY, KY 42071-3384  
 MURRAY, ILLINOIS 62869  
 MPE: MARCUM ENGINEERING, L.L.C. 500 SOUTH 17TH STREET, PADUCAH, KENTUCKY, 42002



**SPORTS PRACTICE FACILITY**  
 MURRAY STATE UNIVERSITY  
 MURRAY, KENTUCKY  
 BID SET - 2012-01-04



**REVISIONS**

Date	2012-01-04
H+C Project No	2983.00
FDC Project No	10-007
BFW Project No	11194
Marcum Project No	11557
Sheet Name	PLUMBING DETAILS