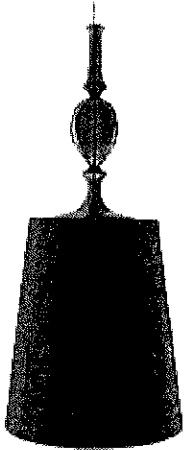




# CFSB Caloway County

## Interiors

**Kiev Pendant**



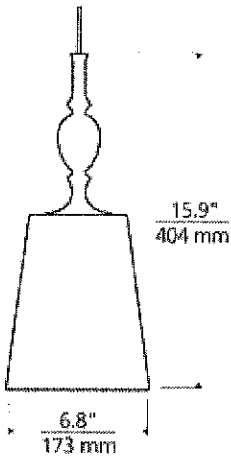
BLACK SHADE



BROWN SHADE



WHITE SHADE



**DESCRIPTION**

Antique meets modern with a turned ornate glass fount and simple tapered fabric shade with rolled edges. Includes low-voltage, 50 watt halogen bi-pin lamp or 5.8 watt replaceable LED module and six feet of field-cutable suspension cable.

**SYSTEM**

Available for FreeJack, MonoRail, Two-Circuit MonoRail, and Kable Lite. For use on T-trak, order FreeJack version and T-trak FreeJack Connector (sold separately).

**INSTALLATION**

Socket terminates with FreeJack male connector, which may be installed into a system connector. Elements ordered with a system prefix include a connector for that system.

**ACCESSORIES & OPTICAL CONTROLS**

Swag Hook

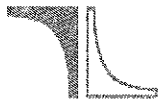
**WEIGHT**

0.91lb / 0.41kg

**ORDERING INFORMATION**

700	SYSTEM	KIE	COLOR	Fount Color	FINISH	LAMP	
<b>FJ</b>	FREEJACK (MONO POINT)	<b>B</b>	BLACK SHADE	<b>C</b>	CLEAR FOUNT	<b>Z</b> ANTIQUE BRONZE	12 VOLT HALOGEN
<b>KL</b>	KABLE LITE	<b>N</b>	BROWN SHADE	<b>F</b>	FROST FOUNT	<b>S</b> CHROME SATIN NICKEL	12 VOLT LED
<b>MO</b>	MONORAIL	<b>W</b>	WHITE SHADE	<b>K</b>	SMOKE FOUNT		3000K
<b>MO2</b>	TWO-CIRCUIT MONORAIL						-24 24 VOLT HALOGEN

Note: LED option not available on MO2 at this time.



**TECH LIGHTING®**

7400 Linder Avenue T 847.410.4400  
 Skokie, Illinois 60077 F 847.410.4500

www.techlighting.com

700 FJ KIE B K S-LED

FIXTURE TYPE: Kiev Pendant

JOB NAME: CFSB Calloway County

NOTES: Teller Line



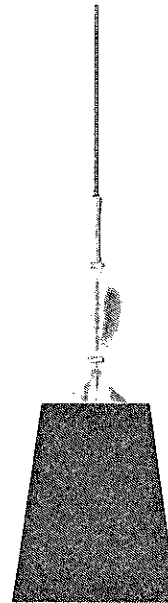


**GENERAL PRODUCT INFORMATION:**

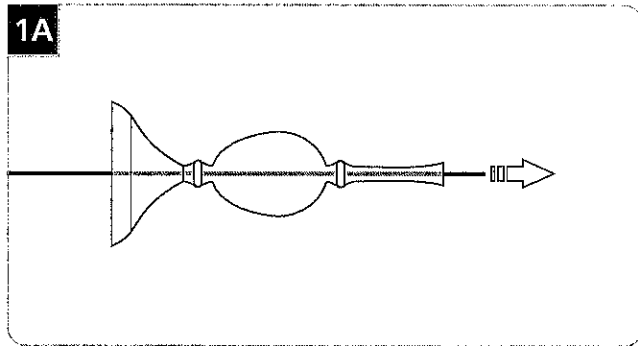


This product is ETL listed and suitable only for indoor dry locations and approved for use at any height above the finished floor.

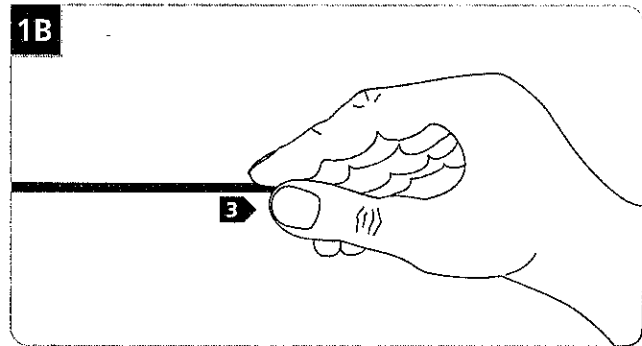
This product is patented (U.S. PAT. 6,183,297).



**Adjust The Fixture Height**

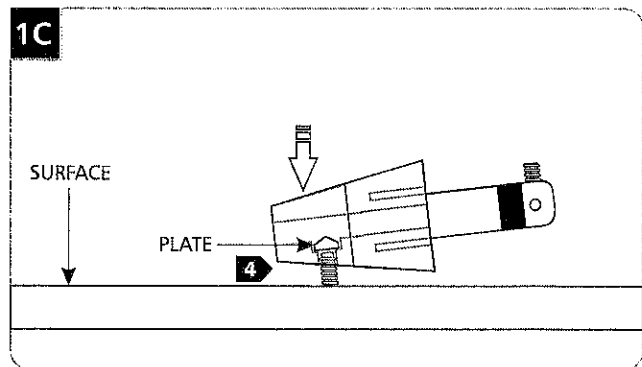


**1** Feed the coaxial cable through the glass fount.



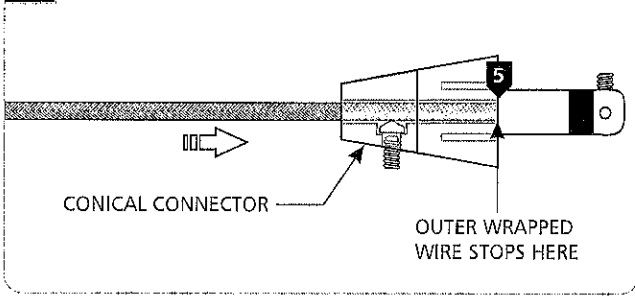
**2** Cut the coaxial cable to the desired length.

**3** Gently twist the end of the coaxial cable between thumb and forefinger.



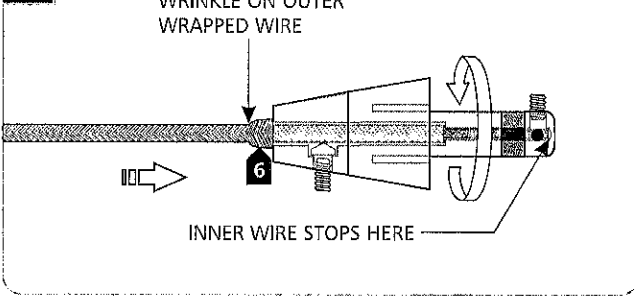
**4** Tap the conical connector on a hard surface with the set screw facing down, so the plate inside drops into place.

1D



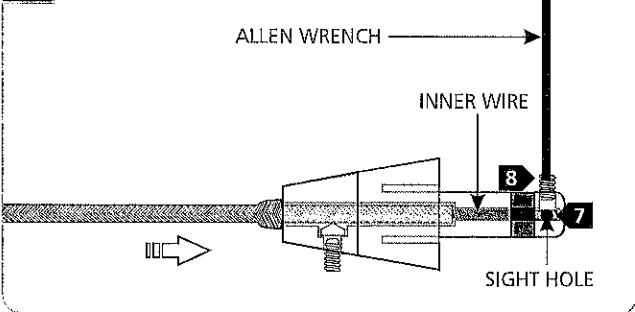
5 Feed and push the coaxial cable into the conical connector. The coaxial cable will come to a stop point after being inserted 3/4" into the conical connector.

1E



6 Keep pushing the coaxial cable into the connector while rotating the connector to ease feeding the inner wire into the tip of the connector. The outer wrapped wire will start wrinkling while being inserted another 1/2" into the connector.

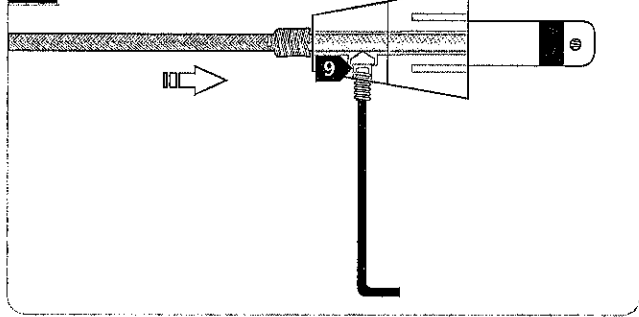
1F



7 Look into the sight hole on the top of the connector to make sure that the inner wire is contacting the end of the connector.

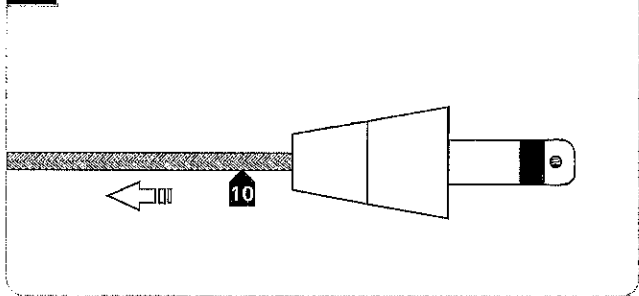
8 Hold the coaxial cable in place and tighten the set screw on tip of the connector with the provided Allen wrench. **Make sure this set screw connection is tight.**

1G



9 Firmly tighten the set screw on the conical connector.

1H

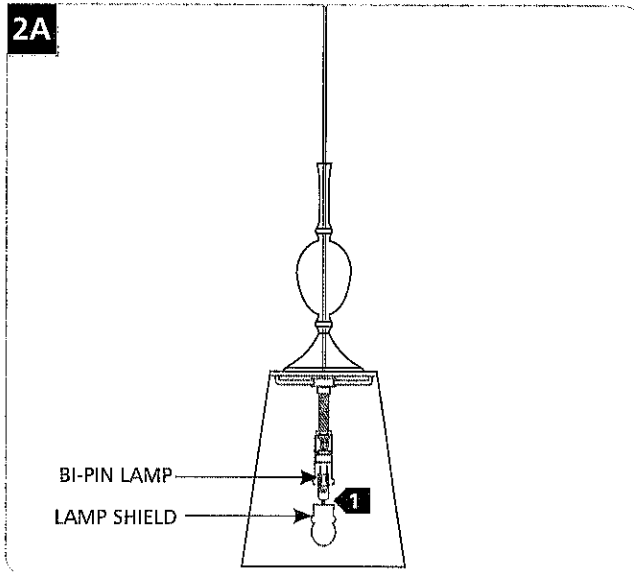


10 Pull the coaxial cable toward the fixture to smooth the wrinkles.

## Replacing the Lamp

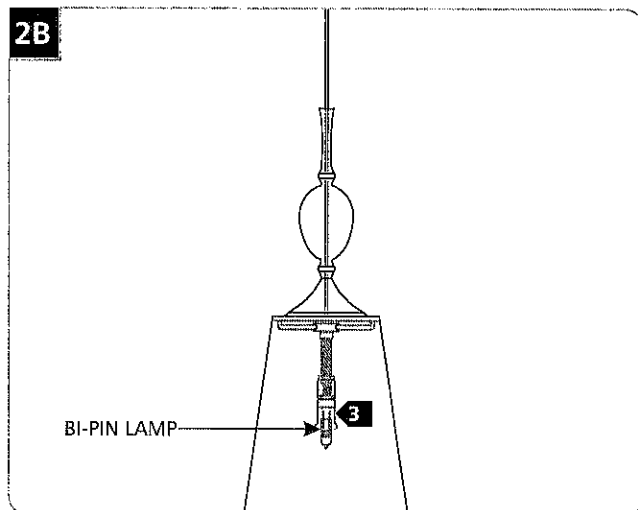
**CAUTION:** To reduce the risk of a burn or electric shock during relamping, disconnect the power to the fixture.

**NOTE:** Use only your fingers and a soft cloth to replace the lamp.



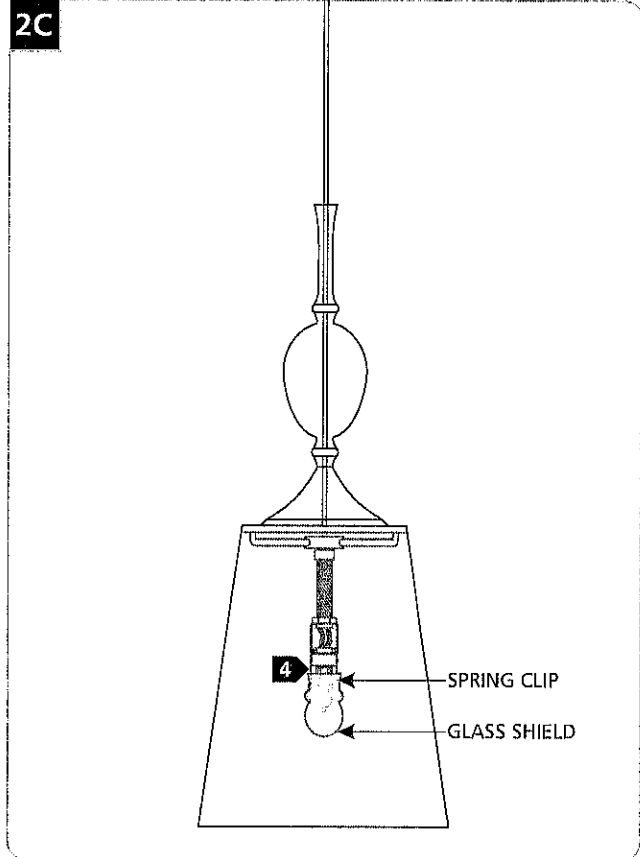
Use **MAX 50 Watt, Bi-Pin Halogen Lamp.** 

**1** Remove the lamp shield and the old lamp.



**2** Handle the new replacement lamp with a soft cloth to prevent the natural oils on the fingertips from collecting on the lamp. This will help extend the life of the lamp.

**3** Gently insert the new lamp into the socket.



**4** Push the lamp shield onto the spring clip.

## IMPORTANT SAFETY INSTRUCTIONS

*To reduce the risk of fire, electrical shock, exposure to excessive UV radiation, or injury to person:*

- Use this fixture indoors only.
- Do not look directly at the lighted lamp.
- Do not remain in light if skin feels warm.
- Risk of fire: Use only the type of lamp and maximum wattage indicated in this instruction manual.
- Never cover the halogen lamp with anything other than a Tech Lighting lamp shield and never place flammable material close to your fixture.
- Do not touch the fixture shades or lamp shield while the fixture is on. These surfaces may be HOT.
- To avoid glare in child's eyes, hang the fixture at least 18" above a table.

## Halogen Lamp General Information

- It is normal for a new halogen lamp to smoke slightly on first use. The protective coating is being vaporized.

## Prolonging Halogen Lamp Life

- Do not touch the lamp with bare hands. Any contaminant, even the oil from your hands can deteriorate the lamp. Handle the lamp with a soft, clean cloth. Rubbing alcohol can be used to remove any contaminant from the lamp.
- Do not run the lamps at full power when you do not need to. However, if dimming the fixture for an extended period of time, occasionally bring the light up to full brightness for a few minutes to complete the halogen cycle.

**SAVE THESE INSTRUCTIONS!**



**TECH LIGHTING®**

7400 Linder Ave, Skokie, IL 60077

847.410.4400

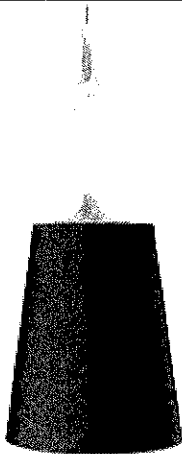
[www.techlighting.com](http://www.techlighting.com)

© 2008 Tech Lighting, L.L.C. All rights reserved. The "Tech Lighting" graphic is a registered trademark of Tech Lighting, L.L.C. Tech Lighting reserves the right to change specifications for product improvements without notification.

A Generation Brands Company

LINE-VOLTAGE PENDANTS

Kiev Large Pendant



BLACK SHADE



WHITE SHADE

DESCRIPTION

Antique meets modern with a turned ornate glass fount and simple tapered fabric shade with rolled edges. Black, satin nickel, and white finish options highlighted with a satin nickel detail and clear cable; antique bronze finish includes antique bronze detail and brown cable. Includes 120 volt, 75 watt A19 medium base lamp or GX24Q-3 base 32 watt triple tube compact fluorescent lamp (electronic ballast included). Fixture provided with six feet of field-cutable cable. Incandescent version dimmable with standard incandescent dimmer.

INSTALLATION

This product can mount to either a 4" square electrical box with round plaster ring or an octagon electrical box.

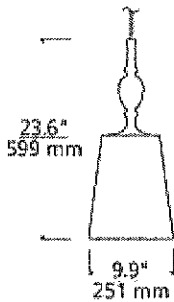
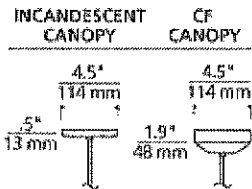
DIMMING

Incandescent version dimmable with a standard incandescent dimmer.

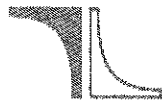
WEIGHT

1.44lb / 0.65kg

ORDERING INFORMATION



SYSTEM	COLOR	FINISH	LAMP
700 KIELP			
TD LINE-VOLTAGE PENDANTS	(B) BLACK SHADE W WHITE SHADE	C CLEAR FOUNT F FROST FOUNT (K) SMOKE FOUNT	Z ANTIQUE BRONZE (S) SATIN NICKEL W WHITE
			INCANDESCENT 120V (CF) COMPACT FLUORESCENT 120V -CF277 COMPACT FLUORESCENT 277V



TECH LIGHTING®

7400 Linder Avenue T 847.410.4400  
 Skokie, Illinois 60077 F 847.410.4500

www.techlighting.com

700 KIELP B K S - CF

FIXTURE TYPE: Kiev Large Pendant

JOB NAME: CFEB Calloway County

NOTES: Coffee Room



©2010 Tech Lighting, L.L.C. All Rights Reserved. The "Tech Lighting" graphic is a registered trademark of Tech Lighting, L.L.C. Tech Lighting reserves the right to change specifications for product improvements without notification.

# Kiev Pendant (Compact Fluorescent)

700TDKIELP\_-CF\_

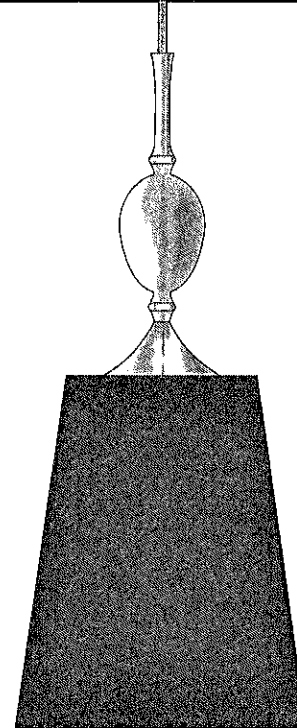
1.0

## 2 thousand degrees

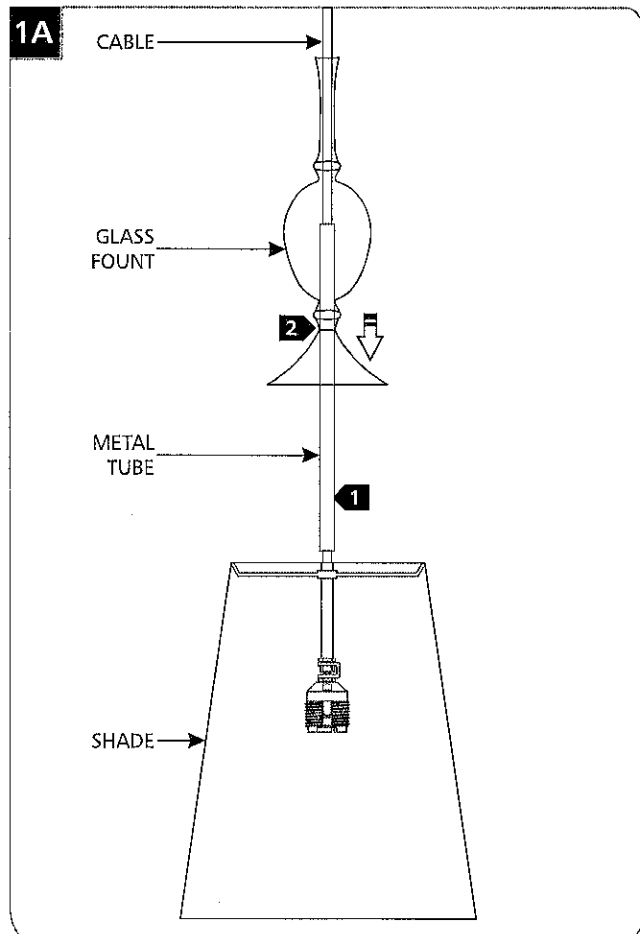
PENDANTS

### GENERAL PRODUCT INFORMATION:

This product is suitable for damp locations.

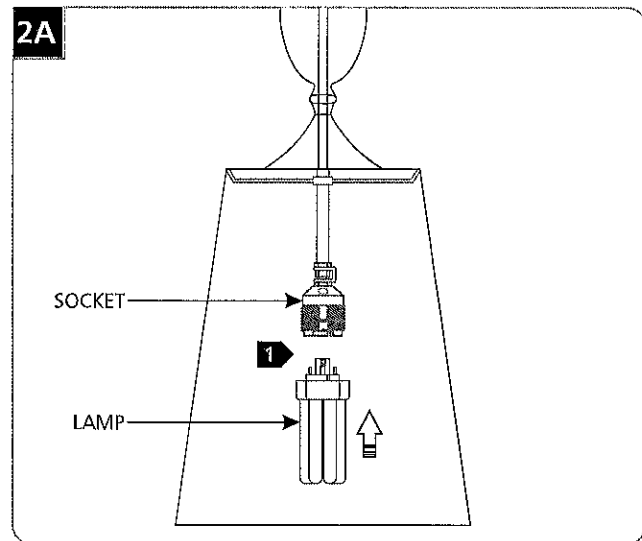


### Assemble the Fixture



- 1 Slide the metal tube down the cable to the shade.
- 2 Feed the cable through the glass fount and slide the fount down until it rests on the shade.
- 3 Follow the instructions provided with the canopy to install the fixture to the ceiling.

### Install the Lamp



**CAUTION:** To reduce the risk of a burn or electric shock during relamping, disconnect the power to the fixture.

Use **MAX 32 Watt** GX24Q-3 base triple tube compact fluorescent lamp.



- 1 Push the lamp base completely into the socket.

**SAVE THESE INSTRUCTIONS!**



7400 Linder Ave, Skokie, IL 60077  
847.410.4400

[www.2thousanddegrees.com](http://www.2thousanddegrees.com)

© 2008 Tech Lighting, L.L.C. All rights reserved. The "2thousand degrees" graphic is a registered trademark of 2thousand degrees. 2thousand degrees reserves the right to change specifications for product improvements without notification.

A Generation Brands Company

LF4

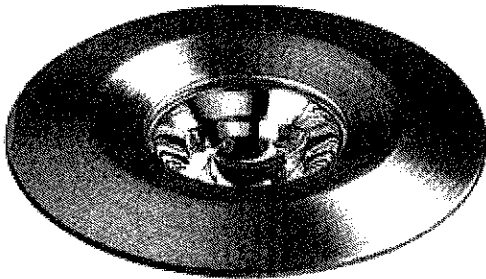
# LED BY ILLUMINEER

PROJECT NAME: CFSB Calloway County

FIXTURE TYPE: \_\_\_\_\_

APPROVAL: \_\_\_\_\_

DATE: \_\_\_\_\_



### Buttons - LED

Buttons - LED. Saucer - Static , w/source. 15 deg beam. Metallic Grey Aluminum.

**Item Number:** WLE130C32K-0-95

**Finishes:** 95 Metallic Grey (shown)

**Shade:** 0 Glass (shown)

**Diameter:** 1.66 Inches

**Projection:** 0.85 Inches

**Lamp:** Luxeon 1.2W LED per button

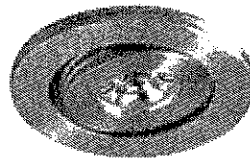
### OTHER PRODUCTS IN THIS FAMILY



**Buttons - LED**  
WLE133C32K-0-95  
Buttons - LED.  
Saucer - Adjust  
Smooth , w/source.  
15 degree beam.  
Metallic Grey.



**Buttons - LED**  
WLE132C32K-0-95  
Buttons - LED. Rings  
- Adjust w Cowl ,  
w/source. 15 deg  
beam. Metallic Grey.



**Buttons - LED**  
WLE131C32K-0-95  
Buttons - LED. Rings  
- Adjust , w/source.  
15 deg beam. Metallic  
Grey Aluminum.



© 2008 Alico Industries Inc.  
2750 John Street, Unit 2 Markham, Ontario L3R 2W4 | T: 905-305-6606 |  
F: 905-305-6191 | info@alicoindustries.com

M I N K A  
G R O U P

The Art of Contemporary Lighting

GEORGE  
KOVACS

Enter Item # or keyword

Browse by

[Advanced Search](#)

[Brands](#)

[Products](#)

[All Collections](#)

[Dealer Locator](#)

[Coupons](#)

[» George Kovacs®](#) [» Sconce](#) [» P294-00-634](#)

### P294-00-634

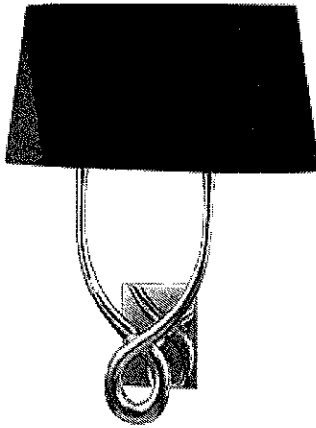
#### Wall Sconce

**Dimensions:** 18 1/2"W x 23"H x 8 1/2"Ext

**Glass/Shade:** Black w/White Interior

**Lamping (Watts/Bulb):** 2-60W E26 Base

**Finish:** Silver Plated



Products depicted on this website are protected by United States Federal and/or State laws including US patent, trademark, copyright and unfair competition laws. Unauthorized reproduction or use carries severe legal penalties. Unauthorized reproduction or use carries severe legal penalties. [Click here for Minka patent / Copyright information](#)

[about us](#)

[contact us](#)

[what's new](#)

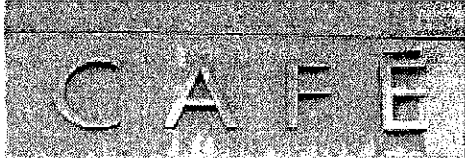
[ask mr. minka](#)

[builder/contractor](#)

[dealer login](#)

[sitemap](#)

M I N K A  
G R O U P



LETTER HEIGHT: 7"

LETTER FINISH: SATIN NICKEL

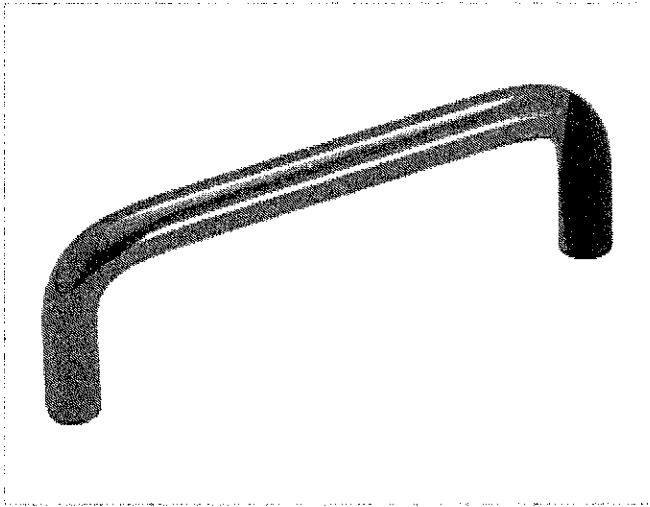
STAND-OFF DISTANCE: 1/2"

PHRASE: CAFÉ

LOCATION: ON HEADER ABOVE ENTRANCE INTO COFFEE 111

MANUFACTURER: CONTRACTOR'S CHOICE

\*\*MUST SUBMIT TO INTERSPACE LIMITED, LLC FOR APPROVAL PRIOR TO ORDER



### 3" PULL ALLISON VALUE HARDWARE

BP865-BN

- From rustic to modern-day casual to sophisticated beauty, the Allison Value Hardware collection offers a variety of designs, making on-trend, quality hardware affordable.
- 2 x #8 32 x 1"

#### **Specifications**

Collection: Allison Value Hardware

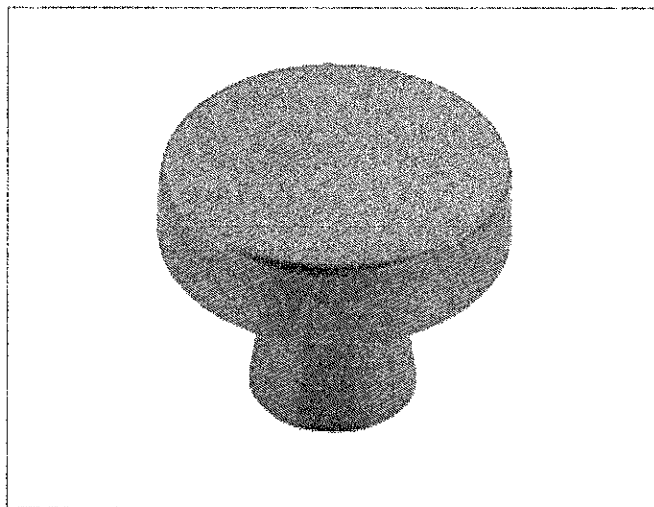
CtC (Inches): 3

Finish: Black Nickel

Projection (Inches): 1.25

Type: Pull

Width (Inches): 0.312



## ROUND KNOB BLACKROCK BP55270-G10

- Eclectic – Anything goes, as long as it goes together. Fits comfortably anywhere from a utilitarian galley kitchen to a contemporary cottage kitchen
- 1 x #8 32 x 1"

### **Specifications**

Collection: Blackrock

Diameter (Inches): 1.307

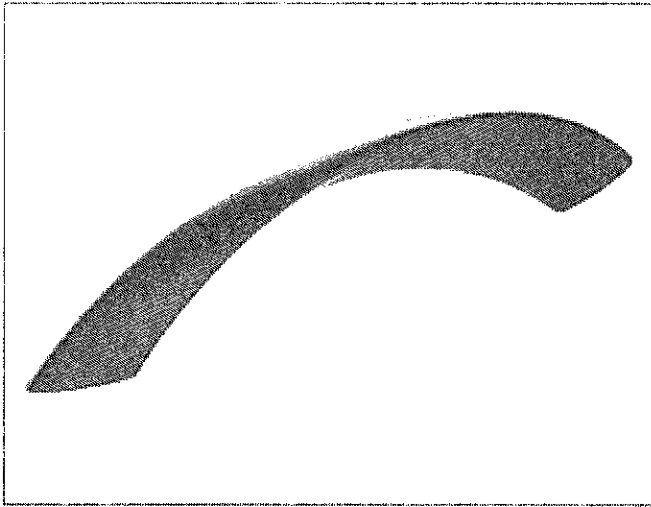
Diameter (mm): 33.21

Finish: Satin Nickel

Projection (Inches): 1.043

Projection (mm): 26.5

Type: Knob



## 128MM PULL ESSENTIAL'Z BP24002-SN

- Inspired by abstract beauty and sculptural refinement. Futurism.
- 2 x #8 32 x 1"

### **Specifications**

Collection: Essential'Z

CtC (mm): 128

Finish: Satin Nickel

(Length (mm): 148)

Projection (Inches): 1.062

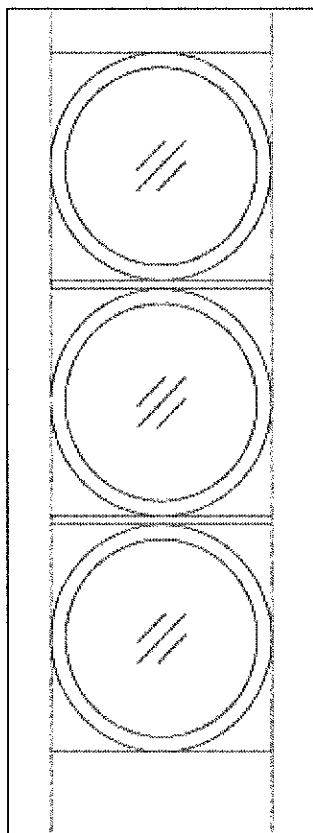
Projection (mm): 34

Type: Pull

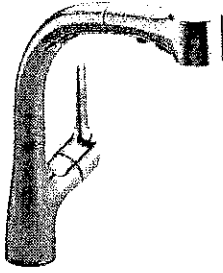
Width (mm): 14

## Vogue Collection

**Model: AD3030** — Our Custom Design series doors offer a unique collection of custom door styles that complement a variety of architectural styles in both residential and commercial settings. These doors showcase the design flexibility that only TruStile can provide. Custom Design doors are built with genuine stile and rail construction and are available as both interior doors and exterior doors. This door is available in both paint-grade MDF and 14 stain-grade wood species.



(Photo shows faucet without escutcheon plate)



**Your current selection:**

**Color/Finish:** Polished Chrome  
(-CP)

**Model Number:** K-13963-CP

**List price\*:** \$275.00



**Elate™ pullout kitchen faucet**

The Elate Kitchen faucet by KOHLER meets the growing demand for pullout faucets with a sleek new design. Elate brings the sophisticated look of contemporary design at an affordable price.

- Sophisticated design with ergonomic functionality
- Allows the user to switch between pause, spray and stream options
- Resists buildup and is easy-to-clean
- 2.2 gpm
- Elate faucet contains all necessary parts for both single-hole and three-hole installations

List price\*: \$275.00 and up

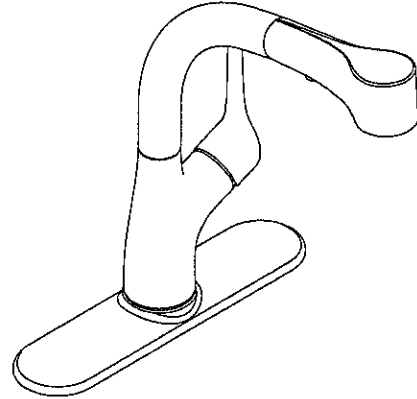


**Features**

- Metal construction
- One-piece, self-contained ceramic disc valve allows both volume and temperature control
- Temperature memory allows faucet to be turned on and off at any temperature setting
- Integral pullout sprayhead with retractable hose
- Compact three-function sprayhead with spray, aerated flow, and pause functions
- ADA compliant side lever handle
- Contemporary styling
- 10-1/2" (26.7 cm) escutcheon plate for three-hole installation
- Flexible connections for easy installation
- 9" (22.9 cm) spout reach
- 2.2 gallon (8.3 L) per minute maximum flow rate at 60 psi (4.14 kPa)

**PULLOUT KITCHEN SINK FAUCET  
K-13963**

**ADA**



**Codes/Standards Applicable**

Specified model meets or exceeds the following at date of manufacture:

- ADA
- ASME A112.18.1/CSA B125.1
- ICC/ANSI A117.1
- NSF 61
- Energy Policy Act of 1992
- All applicable US Federal and State material regulations

**Colors/Finishes**

- CP: Polished Chrome
- VS: Stainless Steel
- Other: Refer to Price Book for additional colors/finishes

**Specified Model**

Model	Description	Colors/Finishes
K-13963	Pullout kitchen sink faucet	<input checked="" type="checkbox"/> CP <input type="checkbox"/> VS <input type="checkbox"/> Other _____

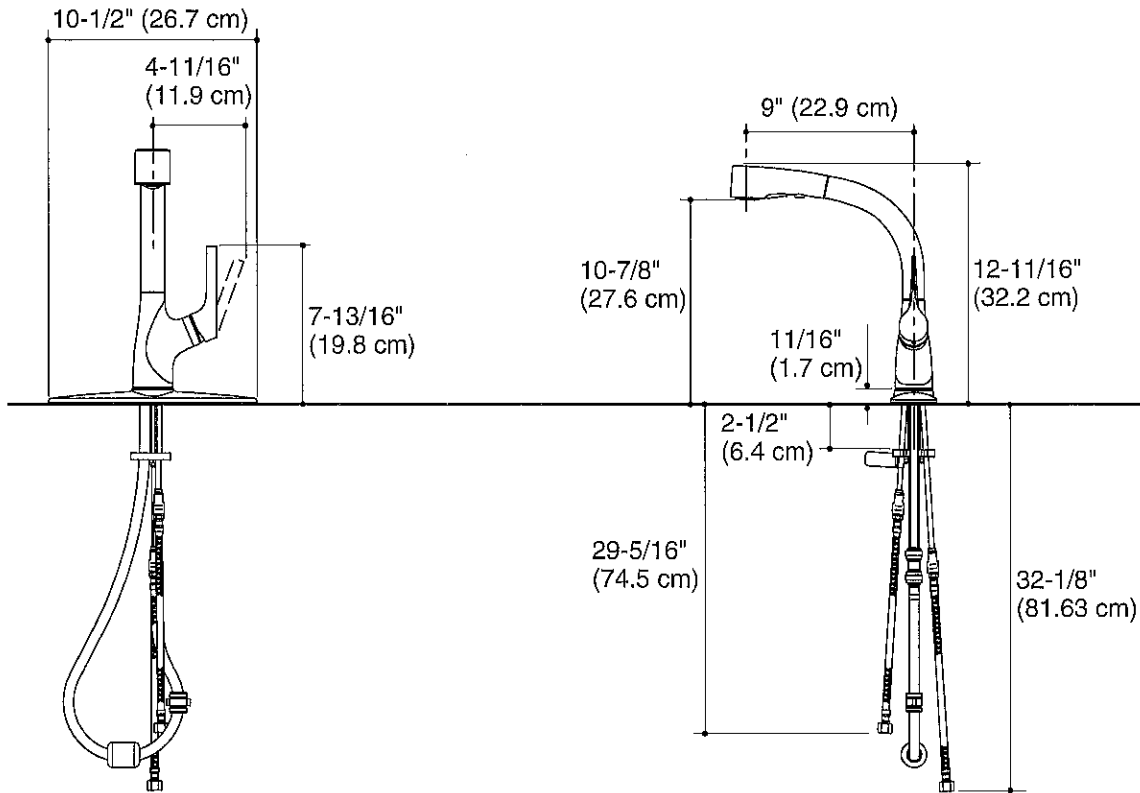
**Product Specification**

The pullout kitchen sink faucet with contemporary styling shall be of metal construction. Product shall have a maximum flow rate of 2.2 gallons (8.3 L) per minute at 60 psi (4.14 kPa). Product shall feature a one-piece, self-contained ceramic disc valve, allowing both volume and temperature control. Product shall feature temperature memory, allowing the faucet to be turned on and off at any temperature setting. Product shall feature an ADA compliant side lever handle, 9" (22.9 cm) spout reach, and flexible connections for easy installation. Product shall feature an integral pullout sprayhead with retractable hose. Product shall feature a compact three-function sprayhead with spray, aerated flow, and pause functions. Product shall include a 10-1/2" (26.7 cm) escutcheon plate for three-hole installation. Pullout kitchen faucet shall be Kohler Model K-13963-\_\_\_\_\_.

# ELATE™

## Installation Notes

Install this product according to the installation guide.



Product Diagram



**Your current selection:**

**Color/Finish:** Polished Chrome  
(-CP)

**Model Number:** K-T944-4-CP

**List price\*:** \$510.40



**WALL-MOUNT LAVATORY TRIM  
K-T944-4**

**Features**

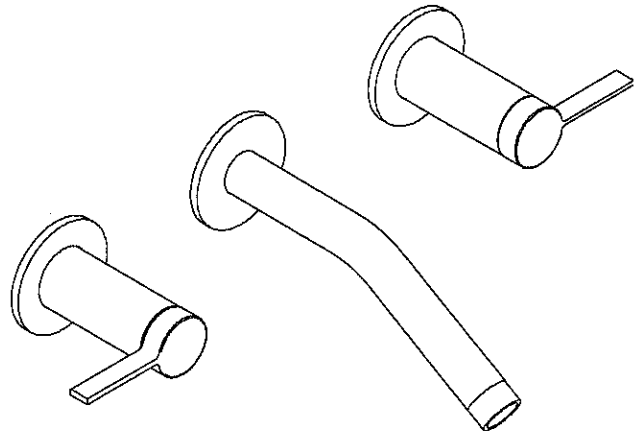
- Brass construction
- Dual control wall-mounted
- Lever handles are ADA compliant
- Less drain
- Stationary spout
- 4-9/16" (3.3 cm) min to 6-1/16" (15.4 cm) max spout from the wall to center of the outlet
- 1.5 gallons (5.7 liters) per minute maximum flow rate



**Codes/Standards Applicable**

Specified model meets or exceeds the following at date of manufacture:

- ADA
- ASME A112.18.1/CSA B125.1
- ICC/ANSI A117.1
- Energy Policy Act of 1992
- NSF 61
- EPA WaterSense®
- All applicable US Federal and State material regulations



**Colors/Finishes**

- CP: Polished Chrome
- Other: Refer to Price Book for additional colors/finishes

**Accessories**

- CP: Polished Chrome
- NA: None applicable
- Other: Refer to Price Book for additional colors/finishes

**Specified Model**

Model	Description	Colors/Finishes
K-T944-4	Wall-mount lavatory trim	<input checked="" type="checkbox"/> CP <input type="checkbox"/> Other _____
<b>Required Accessories</b>		
K-410-K	Wall-mount lavatory valve	<input checked="" type="checkbox"/> NA

**Product Specification**

The wall-mount lavatory trim shall be of brass construction. Product shall have a maximum flow rate of 1.5 gallons (5.7 liters) per minute. Product shall be dual control wall-mounted. Product shall feature a 4-9/16" (3.3 cm) min to 6-1/16" (15.4 cm) max spout from the wall to center of the outlet. Product shall feature ADA compliant lever handles and a stationary spout. Product shall be less drain. Faucet shall be Kohler Model K-T944-4-\_\_\_\_ with required K-410-K-NA valve.

# STILLNESS®

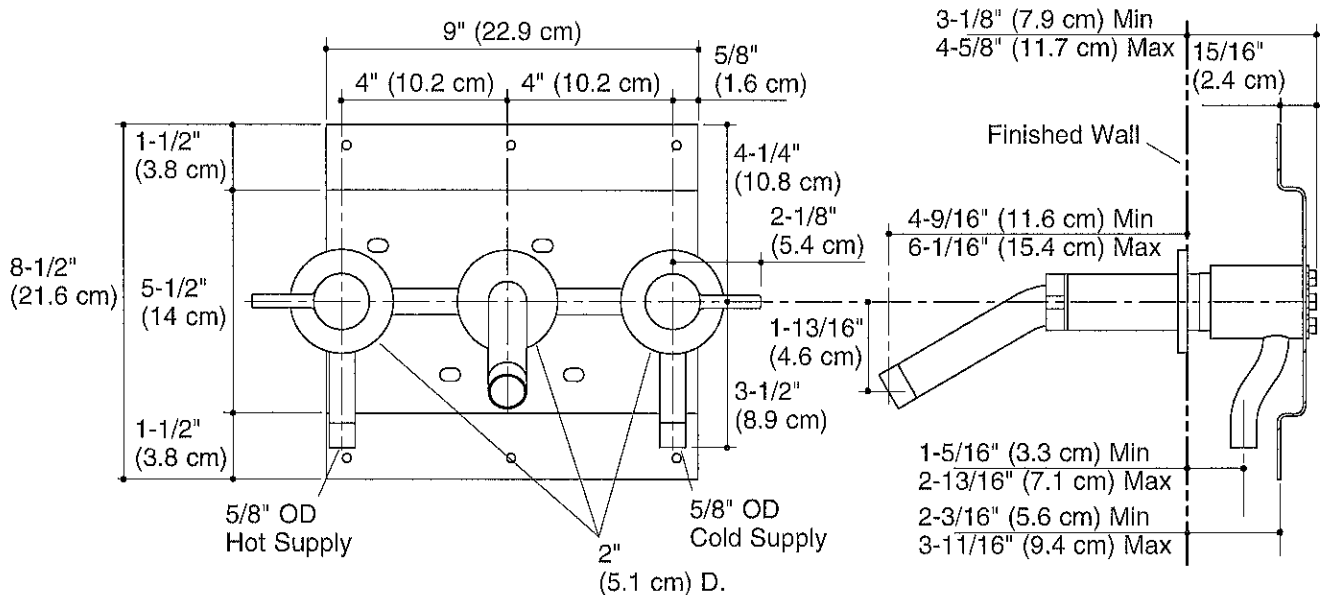
Optional Accessories			
K-7114	Pop-up lavatory drain	<input type="checkbox"/> CP	<input type="checkbox"/> Other _____
K-7124	Touch-activated lavatory drain	<input type="checkbox"/> CP	<input type="checkbox"/> Other _____
K-7127	Lavatory drain with non-removable metal stopper	<input type="checkbox"/> CP	<input type="checkbox"/> Other _____
K-7129	Lavatory grid drain	<input type="checkbox"/> CP	<input type="checkbox"/> Other _____
_____	Additional flow options are available (refer to the Kohler Price Book)	<input type="checkbox"/> NA	

## Installation Notes

Install this product according to the installation guide.

A minimum of 4" (10.2 cm) must be maintained between the bottom of the spout and the top of the fixture rim.

Three 1-1/2" (3.8 cm) diameter holes are required for the spout and handles.



## Product Diagram



**Your current selection:**

**Color/Finish:** Ice (-B11)  
**Model Number:** K-2367-B11  
**List price\*:** \$1,155.25



## VESSELS LAVATORY K-2367, K-2368

ADA

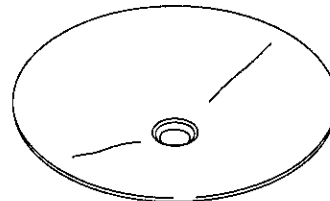
### Features

- Glass
- Without overflow
- Above-the-counter installation
- ADA compliant when distance from rim to floor is 34" (86.4 cm)
- 19" (48.3 cm) diameter

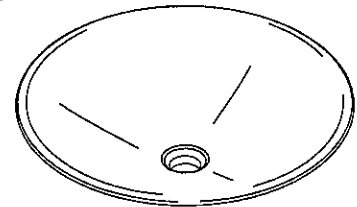
### Codes/Standards Applicable

Specified model meets or exceeds the following:

- IAPMO/UPC IGC 172
- ICC/ANSI A117.1
- ADA
- CSA B45
- CSA B45.11



K-2367



K-2368

### Colors/Finishes

- B11: Ice™

### Accessories

- CP: Polished Chrome
- Other: Refer to Price Book for additional colors/finishes

### Specified Model

Model	Description	Colors/Finishes	
K-2367	Lavinia™ lavatory	<input checked="" type="checkbox"/> B11	
K-2368	Facet™ lavatory	<input type="checkbox"/> B11	
Required Accessories			
K-7107	Decorative drain <b>OR</b>	<input checked="" type="checkbox"/> CP	<input type="checkbox"/> Other _____
K-7108	Decorative drain <b>OR</b>	<input type="checkbox"/> CP	<input type="checkbox"/> Other _____
K-7129	Grid drain	<input type="checkbox"/> CP	<input type="checkbox"/> Other _____

### Product Specification

The vessels lavatory shall be made of glass. Lavatory shall be 19" (48.3 cm) in diameter. Lavatory shall be for above-the-counter installation. Lavatory shall be without overflow. Lavatory shall be ADA compliant when distance from rim to floor is 34" (86.4 cm). Lavatory shall be Kohler Model K-\_\_\_\_-\_\_\_\_.

## Technical Information

Fixture*:		
Lavatory	K-2367	K-2368
Basin area	18-7-8" (47.9 cm) D.	18" (45.7 cm) D.
Water depth	1-13/16" (4.6 cm)	2-7/8" (7.3 cm)
Drain hole	1-5/8" (4.1 cm) D.	1-5/8" (4.1 cm) D.

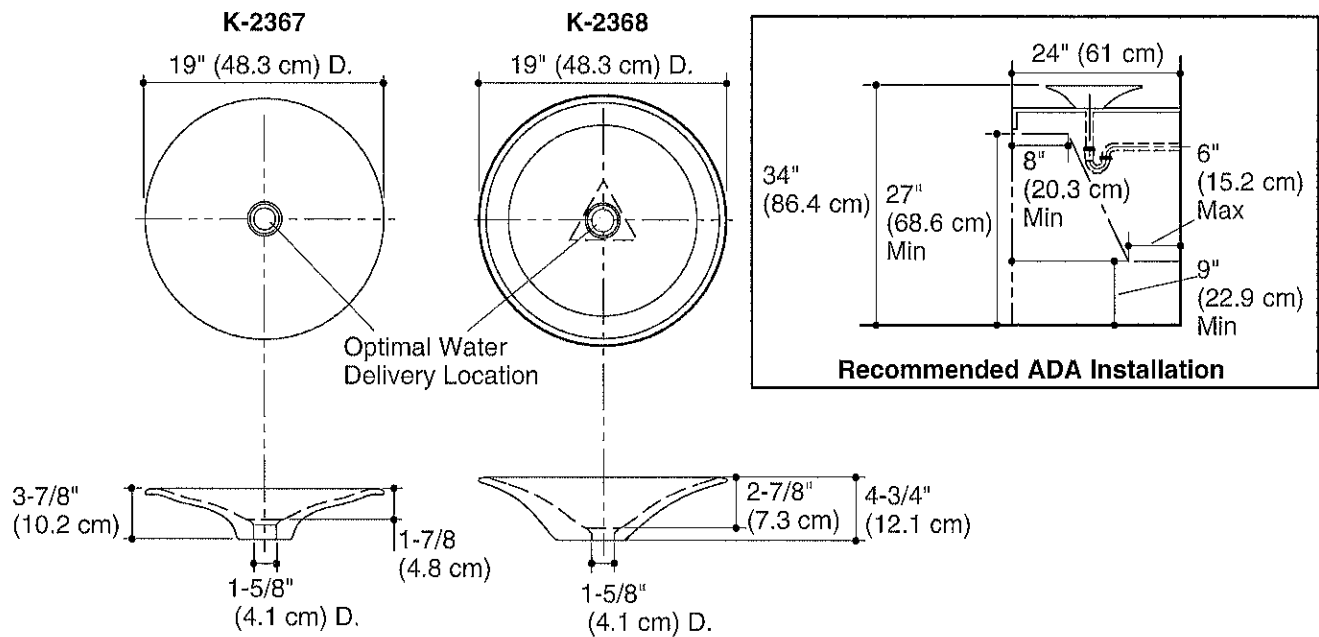
\* Approximate measurements for comparison only.

Included components:	
Drain gasket kit	1070246

## Installation Notes

Install this product according to the installation guide.

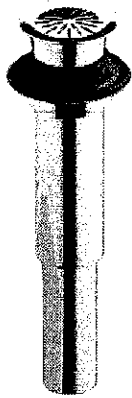
Product does not have an overflow.



## Product Diagram

Decorative grid drain - K-7107

E-mail Print



Your current selection:

**Color/Finish:** Polished Chrome  
(-CP)

**Model Number:** K-7107-CP

**List price\*:** \$69.60



**Features**

- Brass construction
- 1-1/4" outside diameter connection
- Without overflow
- Decorative trim cap designs

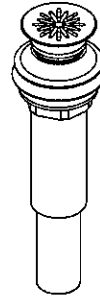
**DECORATIVE DRAINS**

**K-7107**  
**ALSO K-7108**

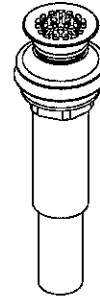
**Codes/Standards Applicable**

Specified model meets or exceeds the following:

- ASME A112.18.2/CSA B125.2
- ASME A112.18.1/CSA B125.1
- IAPMO/UPC
- CSA International



K-7107



K-7108

**Colors/Finishes**

- CP: Polished Chrome
- Other: Refer to Price Book for additional colors/finishes

**Specified Model:**

Model	Description	Colors/Finishes	
K-7107	Decorative lavatory drain	<input type="checkbox"/> CP	<input type="checkbox"/> Other _____
K-7108	Decorative lavatory drain	<input type="checkbox"/> CP	<input type="checkbox"/> Other _____

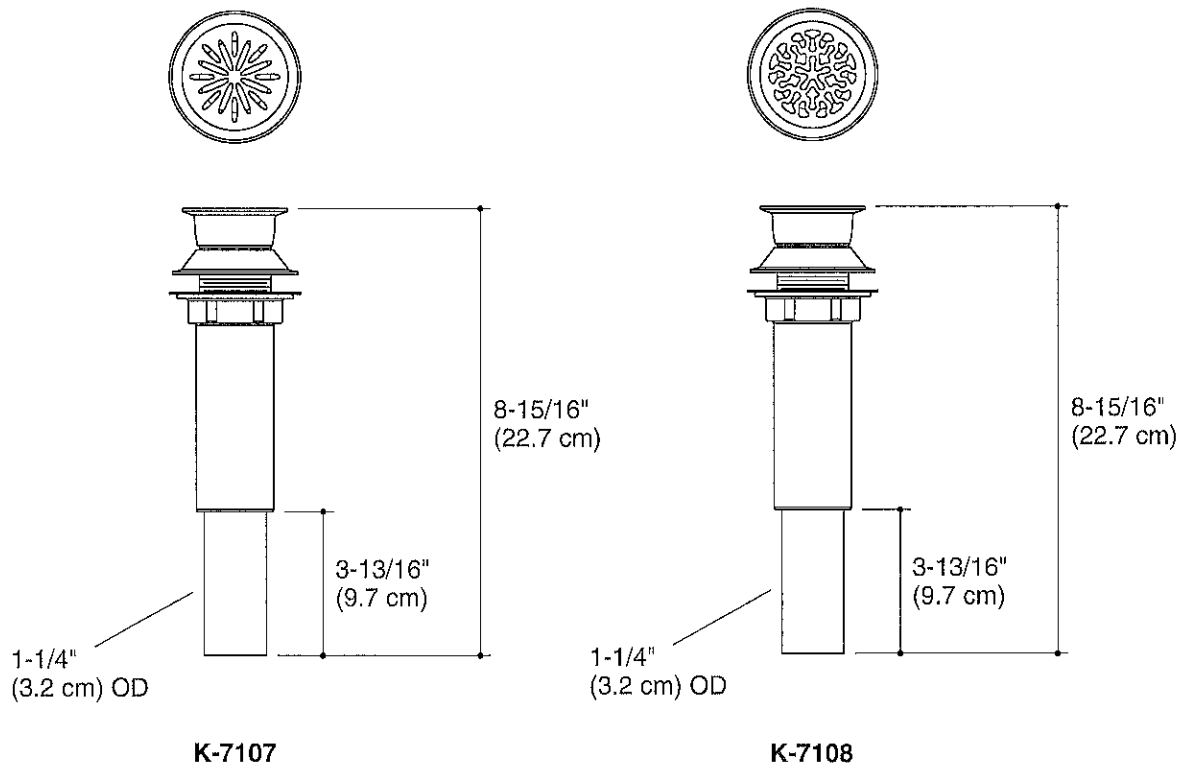
**PRODUCT SPECIFICATION**

Lavatory drain without overflow shall be of brass construction. Drain shall feature a 1-1/4" outside diameter connection and decorative trim cap designs. Drain shall be Kohler Model K-\_\_\_\_-\_\_\_\_.

## Installation Notes

Install this product according to the installation guide.

A thin gasket and a thick gasket are provided with the drain. Use the thin gasket when installing the drain to lavatories with a thick wall [3-1/2" (8.9 cm) maximum thickness], such as vitreous china or cast iron. Use the thick gasket when installing the drain to lavatories with a thin wall, such as stainless steel or copper.



## Product Diagram


[back to GB9FHDXBWB](#)
[PRINT NOW](#)
[home](#) > [products](#) > [kitchen gallery](#) > [refrigerators](#) > GB9FHDXBWB


## GB9FHDXBWB



This Resource Saver™ refrigerator is our most energy efficient bottom mount, topping the federal standard by 30%, which helps you save additional resources and money. Two full-width glass shelves provide easy visibility and plenty of space. A factory-installed icemaker provides fresh ice at your fingertips. Humidity-controlled crispers help produce stay fresh longer with adjustable levels.

### Black

Model: GB9FHDXBWB  
MSRP: **\$1249.00**

### White-on-White

Model: GB9FHDXBWQ  
MSRP: **\$1249.00**

### Stainless Steel

Model: GB9FHDXBWS  
MSRP: **\$1449.00**

MSRP is Manufacturer's Suggested Retail Price and may not necessarily be the price at which the product is sold in the consumer's area. Dealer alone determines actual price.

### PRODUCT FEATURES

#### Features

Resource Saver™ Refrigerator

ENERGY STAR® Qualified

Adaptive Defrost System (ADS)

Accu-Chill™ Temperature Management System

Humidity-Controlled Crispers

Half-Width Adjustable Slide-Out Shelves

Adjustable Door Bins (1 Gallon Size)

Drawer Freezer Door

Upper Slide-Out Freezer Basket

Electronic Temperature Controls

Factory Installed Automatic Ice Maker

Freezer Light

Lower Wire Freezer Basket

Smooth Door Finish (all colors)

Reversible Door Swing

#### Dimensions

Depth: 33 3/8 Inches

Height: 66 15/16 Inches

Width: 29 5/8 Inches

#### Electrical Requirements

15 Amps, 60 Hz, 120 V.

### SPECIFICATIONS

#### Performance

Freezer Capacity: 5.6 Cu. Ft.

Refrigerator Capacity: 12.9 Cu. Ft.

Total Capacity: 18.5 Cu. Ft.

ENERGY STAR® Qualified: Yes

#### Whirlpool Customer Support

For shopping assistance call 1-800-253-1301

#### Controls

Control Type: Electronic 1-7

### Freezer Features

Number of Baskets: 2

Icemaker Type: Factory Installed

Ice Bucket: Large

### Refrigerator Features

Door Bin Quantity: 2

Door Bin 2 Quantity: 1

Total Shelves: 5

Shelf Type: Spillproof

Drawer 1: Crisper Pan

Drawer 2: Deli Drawer

### Exterior

Door Style: Flat

### Dimensions

Width: 29 5/8 Inches

Depth with Door Open 90 Degrees: 59 Inches

Height To Top Of Cabinet: 65 1/2 Inches

REGISTERED TRADEMARK OF WHIRLPOOL U.S.A.  
ALL CONTENTS © 2006 WHIRLPOOL CORPORATION

[back to GB9FHDXWB](#)

PRINT NOW



[back to GU2275XTVY](#)

[PRINT HOW](#)

[home](#) > [products](#) > [kitchen gallery](#) > [dishwashers](#) > [GU2275XTVY](#)



## GU2275XTVY



Help save resources and money with this ENERGY STAR® qualified dishwasher. Fully integrated electronic controls provide a sleek exterior while preventing unwanted cycle changes or accidental operation. Adaptive Wash automatically selects the appropriate cleaning level and cycle duration to save time and excess water. All Whirlpool Gold® dishwashers are backed by a 30-Day Money Back Clean & Quiet Guarantee.

**Black**

Model: GU2275XTVB  
MSRP: **\$549.00**

**White**

Model: GU2275XTVQ  
MSRP: **\$549.00**

**Monochromatic Stainless Steel**

Model: GU2275XTVY  
MSRP: **\$649.00**

MSRP is Manufacturer's Suggested Retail Price and may not necessarily be the price at which the product is sold in the consumer's area. Dealer alone determines actual price.

**PRODUCT FEATURES**

**Features**

- ..... Fully Integrated Electronic Controls
- ..... Soak & Scour Option
- ..... SheerClean™ Direct Feed Wash System
- ..... ENERGY STAR® Qualified
- ..... 30-Day Money Back Guarantee
- ..... Quiet Partner™ III System
- ..... AnyWare™ Plus Silverware Basket
- ..... Adaptive Wash Cycle
- ..... Glass Xpress™ Cycle
- ..... Slate Plastic Interior
- ..... Adjustable Upper Rack
- ..... NSF® Certified Sani Rinse Option
- ..... Super Capacity Tall Tub
- ..... Auto Soil Sensor
- ..... China Cycle
- ..... Control Lock
- ..... 4 Hour Delay Wash
- ..... Fold-Down Tines
- ..... Heated Dry
- ..... Pots & Pans Cycle
- ..... Rinse Only Cycle

**Dimensions**

Depth: 24 1/2 Inches  
Height: 34 1/2 Inches  
Width: 23 7/8 Inches

**Electrical Requirements**  
15 Amps, 60 Hz, 15, 120 V.

**SPECIFICATIONS**

**Performance**

Wash System: SheerClean™  
 .....  
 Wash Sensor: Auto Soil Sensor  
 .....  
 Number of Cycles: 6  
 .....  
 Quick Clean Up Cycle: Glass Xpress™  
 .....  
 Light/China Cycle: China  
 .....  
 Normal Cycle: Yes  
 .....  
 Pots & Pans Cycle: Yes  
 .....  
 Rinse Only Cycle: Yes  
 .....  
 Number of Options: 6  
 .....  
 Heated Dry Option: Yes  
 .....  
 Hi Temp Wash Option: Yes  
 .....  
 Sani-Rinse™ Option: Yes  
 .....  
 Delay Wash Option: 4 Hour  
 .....  
 Control Lockout Option: Yes  
 .....  
 Soak & Scour Option: Yes  
 .....  
 Rinse Aid Dispenser: Yes

**Whirlpool Customer Support**  
 For shopping assistance call 1-800-  
 253-1301

**Quality Construction**

Tub Material: Plastic  
 .....  
 Tub Design: Tall Tub  
 .....  
 Rack Material: Nylon  
 .....  
 Sound Tested DBA: 59

**Loading Features**

Lower Rack: 1 Row - 2 position  
 .....  
 Silverware Basket: AnyWare™ Plus Silverware Basket

**General**

ENERGY STAR® Qualified: Yes  
 .....  
 NSF Certified: NSF

REGISTERED TRADEMARK OF WHIRLPOOL, U.S.A.  
 ALL CONTENTS © 2006 WHIRLPOOL CORPORATION

[back to GU2275XTVY](#) **PRINT NOW**



[back to MT4155SPS](#)

[PRINT NOW](#)

home > products > kitchen gallery > microwaves > MT4155SPS



# MT4155SPS

The intelligence of Sensor cooking with the power and capacity you need. The recessed glass turntable offers more room in the oven cavity for even large dishes. Simple controls mean anyone can program and operate the microwave with ease.

**Black-on-Black**  
Model: MT4155SPB  
MSRP: **\$169.00**

**White-on-White**  
Model: MT4155SPQ  
MSRP: **\$169.00**

**Stainless Steel**  
Model: MT4155SPS  
MSRP: **\$239.00**

**Biscuit-on-Biscuit**  
Model: MT4155SPT  
MSRP: **\$169.00**

MSRP is Manufacturer's Suggested Retail Price and may not necessarily be the price at which the product is sold in the consumer's area. Dealer alone determines actual price.

## PRODUCT FEATURES

### Features

- 1.5 cu. ft. Capacity
- 1,200 Watts Cooking Power
- 10-Level Variable Cooking Power Control
- Maxwave™ Cooking System
- Sensor Cooking Cycles
- Non-Sensor Reheat, Cook, Defrost Cycles
- Staged Cooking
- Warm Hold Cycle
- Touch Control System
- Jet Start™ Control - 30 Seconds
- Electronic Child Lockout Feature
- Recessed Glass Turntable
- Optional Trim Kits Available

### Dimensions

- Depth: 17 1/8 Inches
- Height: 12 1/2 Inches
- Width: 21 7/8 Inches

### Electrical Requirements

15 or 20 Amps. 60 Hz. 120 V.

## SPECIFICATIONS

### Capacity

Capacity: 1.5 Cu. Ft.

**Whirlpool Customer Support**  
For shopping assistance call 1-800-253-1301

### Performance

- Cooking Power Wattage: 1200
- Turntable Material: Glass
- Recessed Turntable: Yes

### Features

Popcorn (Sensor): Yes

.....  
Add 30 Seconds: Yes  
.....  
Dinner Plate (Sensor): See Reheat  
.....  
Dinner Plate Reheat: 8-16 oz.

**Dimensions**

.....  
Overall Height: 12 1/2 Inches  
.....  
Overall Width: 21 7/8 Inches  
.....  
Overall Depth: 17 1/8 Inches

REGISTERED TRADEMARK OF WHIRLPOOL U.S.A.  
ALL CONTENTS © 2006 WHIRLPOOL CORPORATION.

> [back to MT4155SPS](#)



SCR600LBI Series

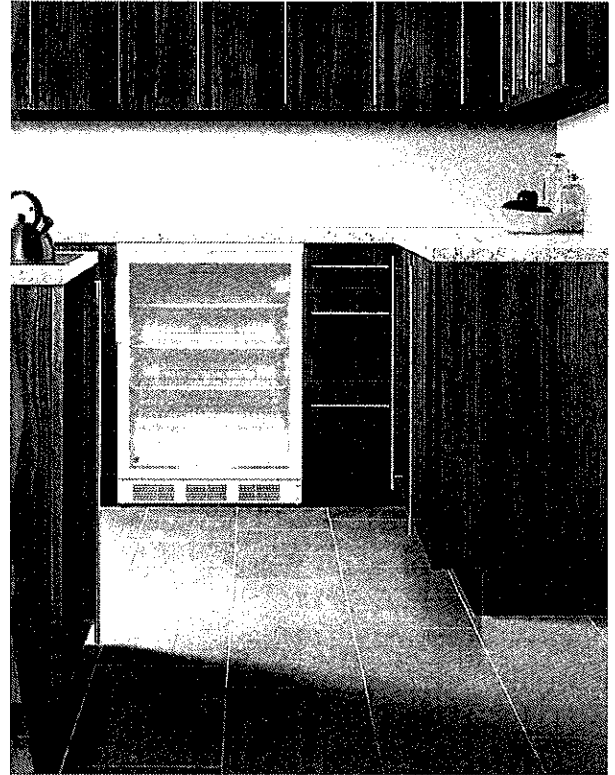
Black  
Glass Door  
HH Handle  
Interior Light

33.5" x 23.63" x 23.5" (H x W x D)

Commercially approved undercounter beverage refrigerators for built-in use, with glass door, automatic defrost and front lock

Highlights:

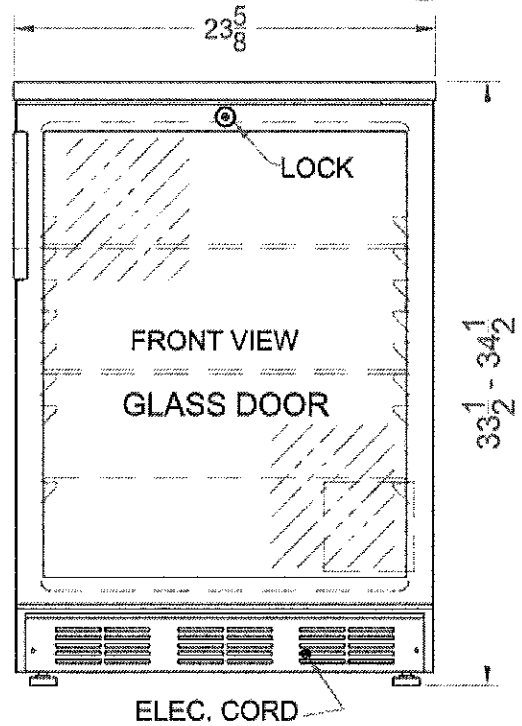
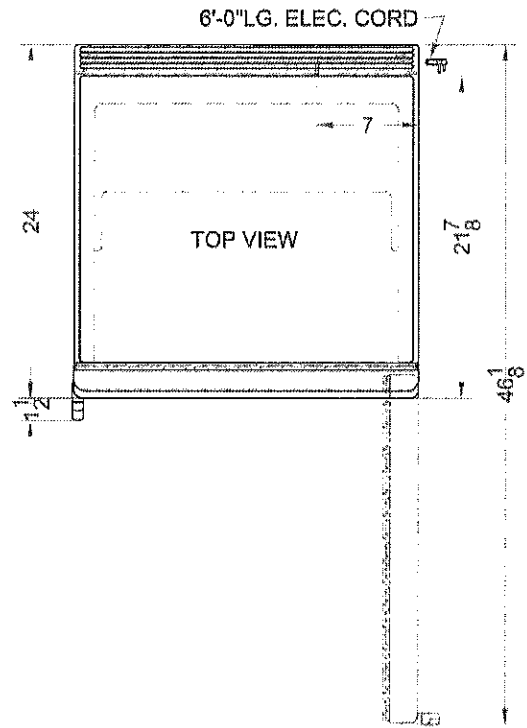
- Flexible design allows built-in or freestanding use
- Perfectly sized to fit in tight 24 inch spaces
- Available in a range of styles including white, black, and stainless steel
- Factory-installed lock provides security you can count on



- Automatic defrost Simplify appliance care by letting your refrigerator defrost itself
- Built-in capable Make the best use of space by installing your refrigerator under the counter and flush with other cabinets
- Glass door Display products behind a solid glass door for an elegant view
- Factory installed lock Keep contents secure with a key lock on the door
- Adjustable shelves Rearrange your refrigerator space to accommodate all shapes and sizes or remove shelves for a simple clean-up; glass shelves for black units, wire shelves for white units
- Interior light on rocker switch Turn the light on when you need it and off when you're done with a convenient rocker switch located just behind the thermostat
- Reversible door Available on white and black units only
- Professional stainless steel handles Choose from three styles of stainless steel handles to get a look that's equally refined and durable
- Wooden shelves Choose the "WO" suffix for wooden shelves that hold wine bottles with classic style
- Commercially approved ETL-S Approved to ANSI-NSF Standard 7

**Specifications:**

Height	33.5 up to 34.5"
Width	23.63"
Depth	23.5"
Capacity	5.5 cu.ft.
Ext Depth wth Handle	25.5"
Interior Height 1	26.0"
Interior Width 1	20.75"
Interior Depth 1	17.5"
Comp Step Height	6.0"
Comp Step Width	20.75"
Comp Step Depth	5.0"
Height Adjustable	true
Shipping Weight	117.0 lbs.
Voltage/Frequency	115 V AC/60 Hz
US Electrical Safety	UL
Canadian Electrical Safety	ULC
Amps	1.3
Energy Usage/Year	434.0 kWh/year
Reversible	Yes
Door Swing	RHD
Shelf Quantity	4
Adjustable Shelf	true
Shelf Type	Wire
Defrost Type	Automatic
Depth with door at 90°	46.0"
Height to Hinge Cap	34.75"
Condensor Location	Rear of Unit
Thermostat Type	Dial
Light	true
Fan Type	Exterior
High Side PSI	285.0
Freon Type	R134a
Level Legs Quantity	4
Low Side PSI	70.0
Freon Oz	1.8
Compressor Warranty	5 Years
Parts/Labor Warranty	1 Year
Sanitation	ETL-S



Summit Appliance Division, Felix Storch, Inc.  
 770 Garrison Ave • Bronx, NY 10474  
 Phone: 718-893-3900 • Fax: 718-842-3093  
 Email: info@summitappliance.com



WC1  
WOMEN'S  
CEILING

WCS



INSPIRATION PRODUCTS WHO WE ARE PROFESSIONAL LOGIN

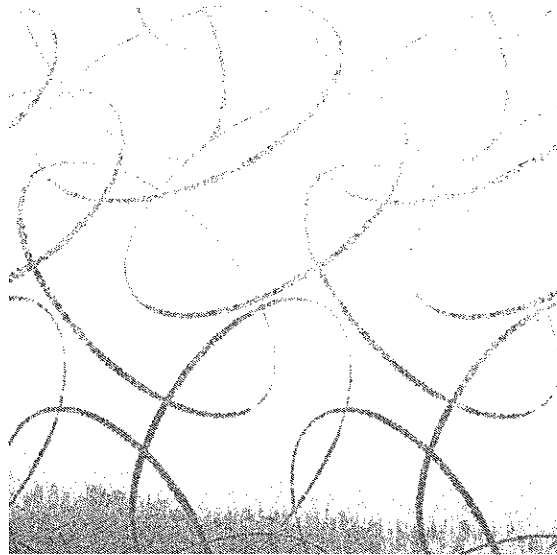
Product Search

BRANDS / COLLECTIONS

PHOTO GALLERY

DETAILED SEARCH

PRODUCTS



RETURN TO SEARCH | PRINT PAGE

PRODUCT DETAILS

Pattern #: DN4711  
Pattern Name: Ellipse Contempo  
Collection: 323-Designer Resource II  
Features:  
Special Effects: Glass Beads  
Match Type: Straight  
Pattern Repeat: 25.25 in.  
MSRP (Single Roll): \$109.99  
Roll Dimensions:  
  
Total Number Available: 2 SR  
Back Order Date:  
Run

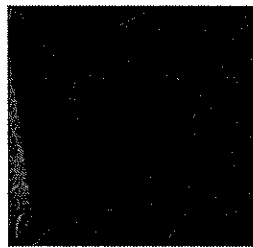
ELLIPSE CONTEMPO  
Wallpaper

DN4711



VIEW SHOPPING CART DOWNLOAD DIGITAL IMAGE WALLPAPER ROLL ESTIMATOR

ADDITIONAL COLORS



ELLIPSE CONTEMPO  
DN4710  
Wallpaper



The colors you are viewing may not be an accurate depiction of the actual product colors.

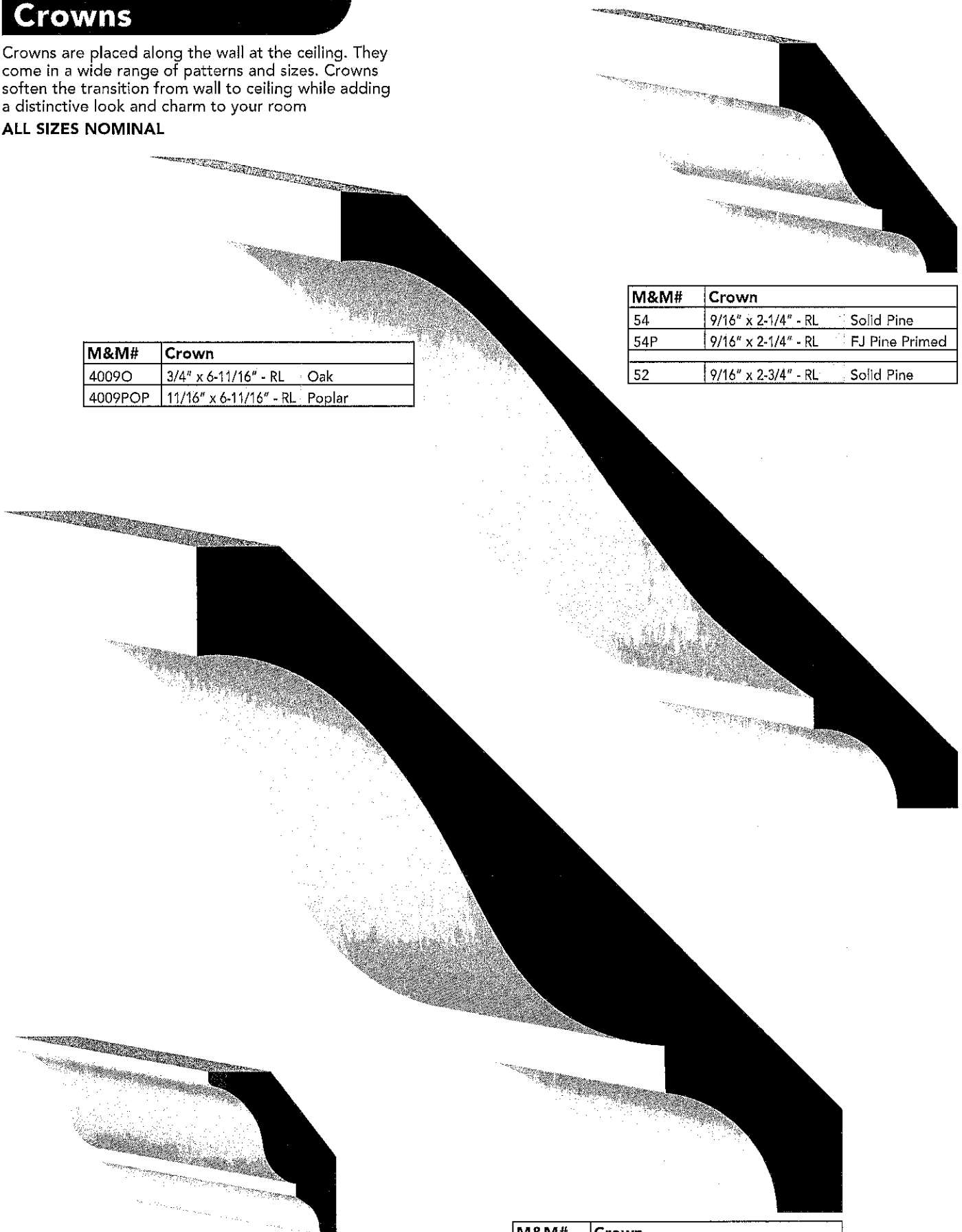
FIND A RETAILER/INSTALLER | FIND A DESIGNER | FIND A TRADE SHOWROOM | JOIN OUR MAILING LIST | VIEW OTHER PRODUCTS | ORDER SAMPLES

HOME | PRESS ROOM | CONTACT US | SITE MAP | CAREERS | LINKS | LEGAL | FAQs © 2010 YORK WALLCOVERINGS 1-800-375-YORK (9675)

**Crowns**

Crowns are placed along the wall at the ceiling. They come in a wide range of patterns and sizes. Crowns soften the transition from wall to ceiling while adding a distinctive look and charm to your room

**ALL SIZES NOMINAL**



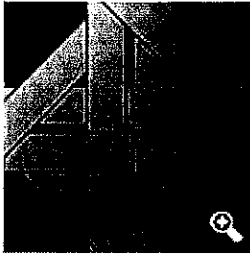
M&M#	Crown
4009O	3/4" x 6-11/16" - RL - Oak
4009POP	1 1/16" x 6-11/16" - RL - Poplar

M&M#	Crown
54	9/16" x 2-1/4" - RL - Solid Pine
54P	9/16" x 2-1/4" - RL - FJ Pine Primed
52	9/16" x 2-3/4" - RL - Solid Pine

M&M#	Crown
68LPOP	9/16" x 1-5/8" - RL - Poplar

M&M#	Crown
* 43M	1" x 6-15/16" - 16' - Ultralite
34232BCRPOP	1-1/16" x 7-1/4" - RL - Poplar

TRA



Retro Old Vienna  
Black No. 0009  
Deco Matt

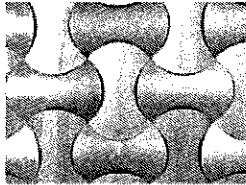
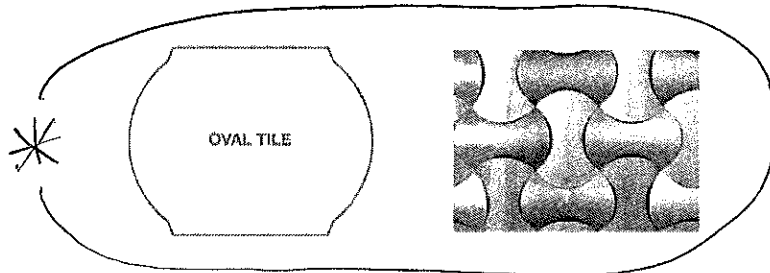
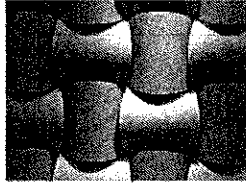
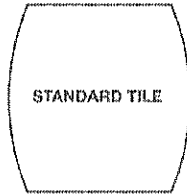
16" x 16"  
No. 0009-4040-20-006

WT1

SM4

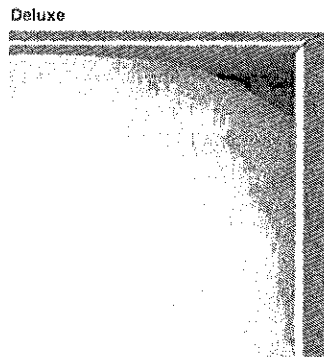
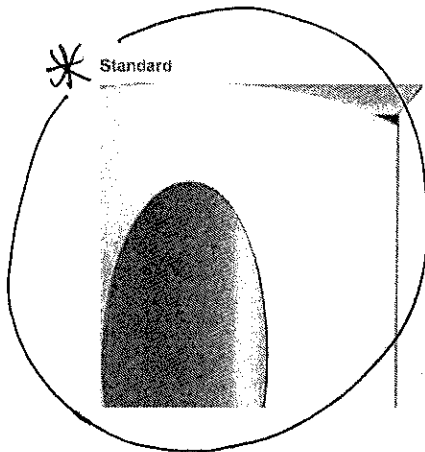
## Wovin Wall Specifications

### Wovin Wall Tile Shapes



Wovin Wall is available in two tile shapes for different stylish and three-dimensional effects.

### Wovin Wall Installation

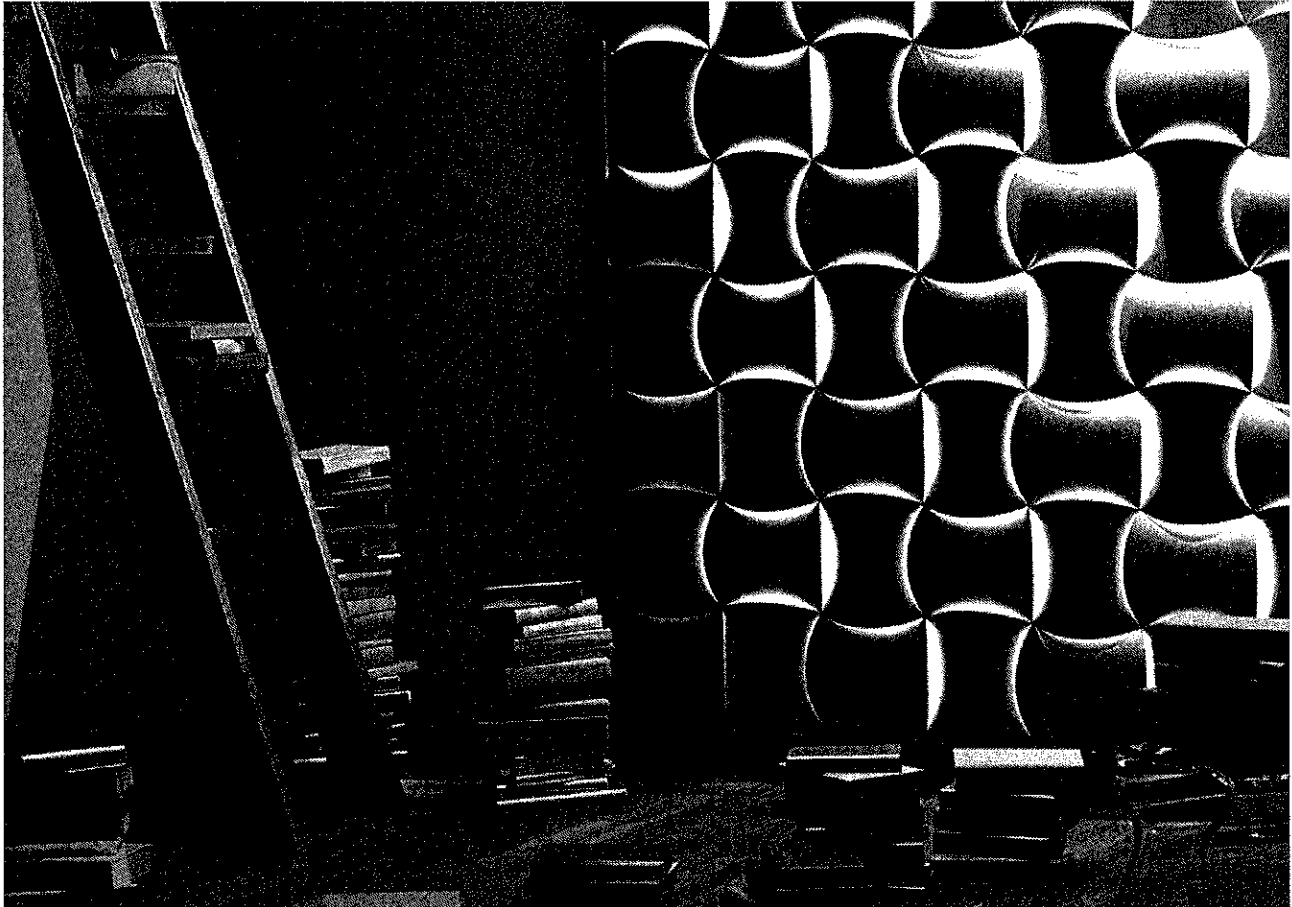


The Wovin Wall System consists of a lightweight mounting grid, which can be fixed to almost any wall or ceiling surface. The Wovin tiles are clipped into this grid in alternating directions to create the distinctive woven pattern.

Wovin Wall can be installed without a surrounding frame, however there are two options available to finish the edges of the wall, Standard or Deluxe Edging. Both frame styles come in clear anodized aluminum.

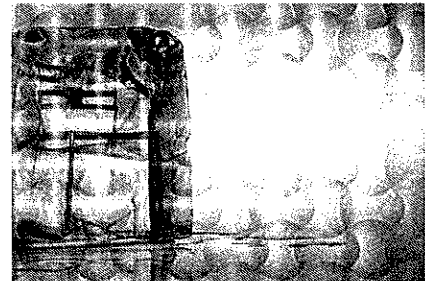
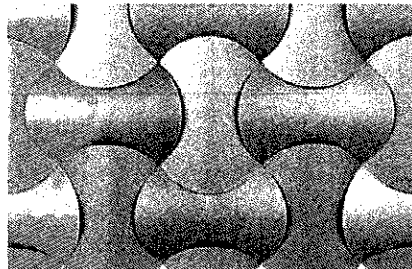
# 3form® [wovin®] Specification & Installation Manual

---



3form® introduces Wovin Wall®, a contemporary design solution for interior walls and ceilings. This elegant and lightweight 3-dimensional interior feature system is easy to install and can be fixed to almost any wall or ceiling.

Wovin Wall is a modular system which can be extended in any direction to suit most spaces. For interiors which change frequently (such as exhibition and retail spaces), the modular nature of the Wovin Wall product is the perfect medium to reflect new color schemes, product launches or seasonal changes.



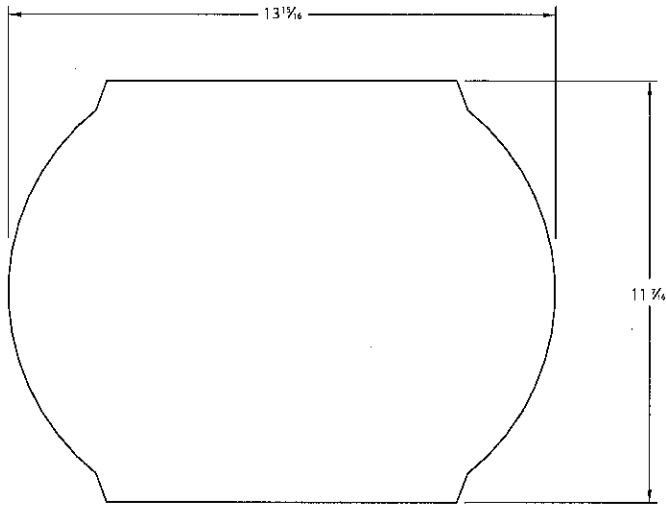
---

For more information, please visit [3-form.com](http://3-form.com) or call 800.726.0126

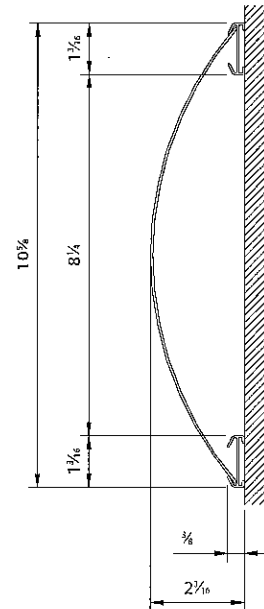
MAY 2008 | SOL SPEC - WOVIN | REV 001 © 2008 3form, Inc. All rights reserved.

# SPECIFICATIONS OVAL WOVIN® TILE

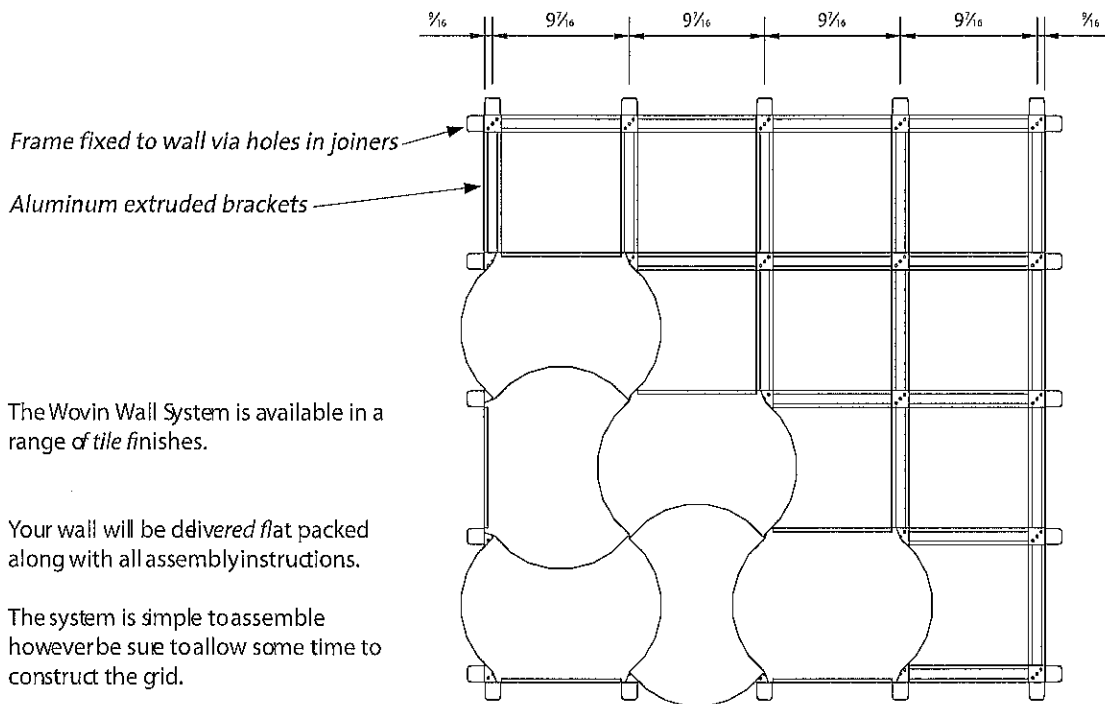
[wovin]



Wovin Wall System Oval Tile



Enlarged section view  
through individual tile



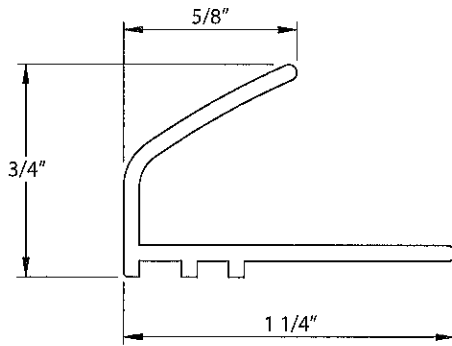
Available exclusively from:



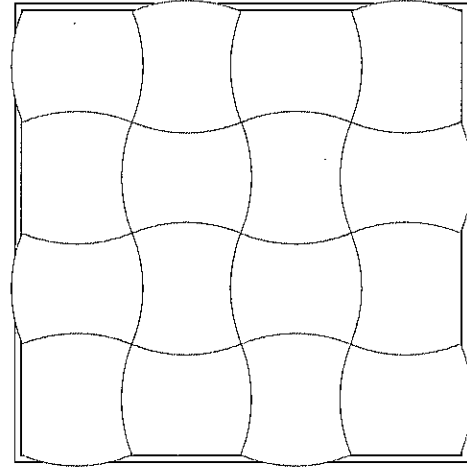
The Wovin Wall is the subject of international patent and registered design rights  
Wovin, Wovin Wall System and the Wovin Wall logo are trademarks of Wovin Wall Pty Limited. All rights reserved.  
All measurements are in inches

# SPECIFICATIONS STANDARD EDGING

[wovin]  
wall system

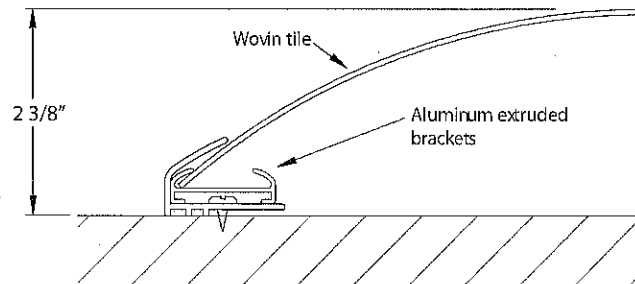


Standard Edging CrossSection



Wall Featuring Standard Edging

## Direct to Wall



Standard Edging Fitted Directly to Wall

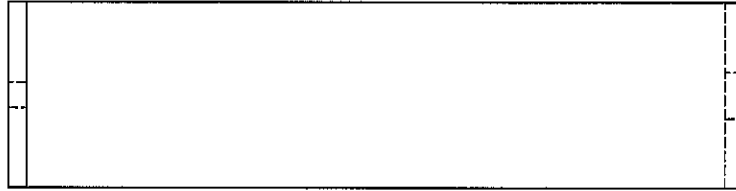
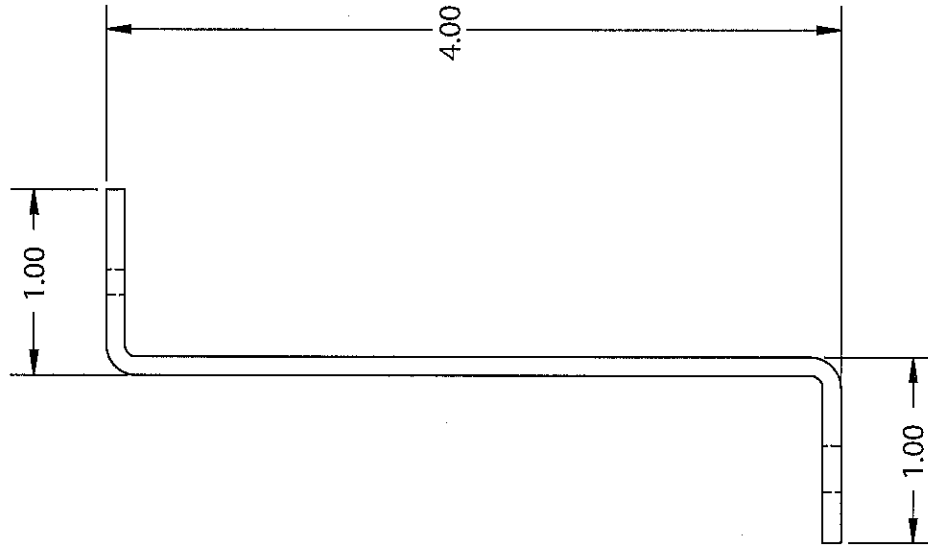
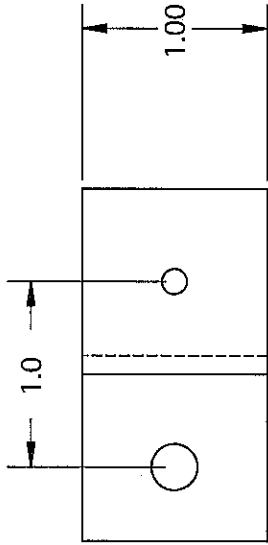
The Wovin Wall System can be ordered with Standard Edging which is made from extruded Aluminum. This can either be anodized to retain the Aluminum aesthetic (usually with a *satin finish*) or it can be powdercoated to achieve a customized color frame.

Available exclusively from:

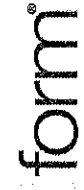


The Wovin Wall is the subject of international patent and registered design rights  
Wovin, Wovin Wall System and the Wovin Wall logo are trademarks of Wovin Wall Pty Limited. All rights reserved.

All measurements are in inches



3 FORM PROPRIETARY  
 THIS DOCUMENT AND THE DATA CONTAINED  
 HEREIN OR HEREWITH IS NOT TO BE  
 REPRODUCED, USED OR DISCLOSED IN  
 WHOLE OR IN PART TO ANYONE WITHOUT  
 WRITTEN PERMISSION OF 3 FORM.



DESCRIPTION

4" WALL BRACKET

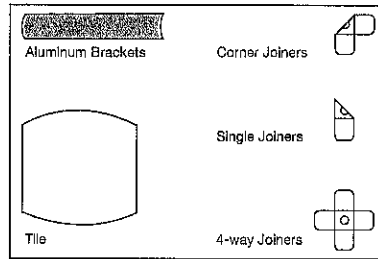
SIZE	PROJECT	DRAWING NUMBER	REV
A		WALL_BRKT	

## Instructions

### ASSEMBLING WOVIN WALL

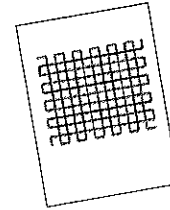
Follow steps 1 through 11.

Your Wovin Wall kit will contain the following parts flat-packed along with all assembly instructions:

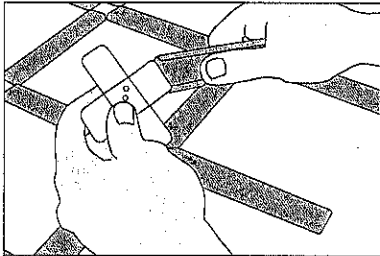


The system is simple to assemble, however be sure to allow some time to construct the grid.

In your Wovin Wall kit you will also find a drawing showing the layout of the mounting grid for your wall. When your frame is fully assembled it should look like the drawing. Use this as a guide when following the instructions below.

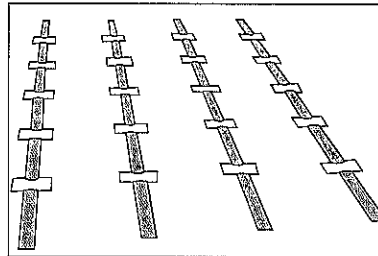


#### 1 ASSEMBLING THE GRID



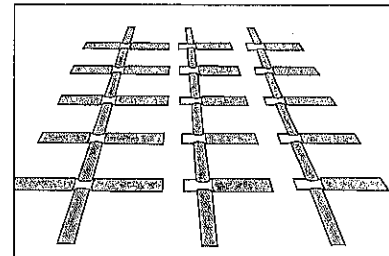
The mounting grid is assembled by sliding the joiners into the groove in the back of the aluminum brackets as shown above.

2



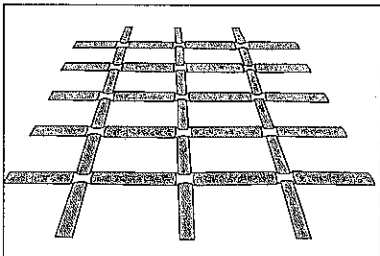
Start by assembling all the full vertical lengths of the frame as shown above and lay them out next to each other. The grid is best assembled on a large table or floor to avoid possible damage during assembly.

3



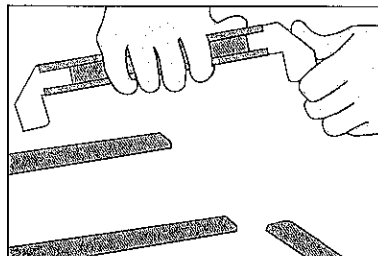
Attach horizontal brackets onto the joiner tabs sticking out on the right side of each vertical length, as above. For the first length on the left, attach horizontal brackets onto the tabs on the left side as well.

4



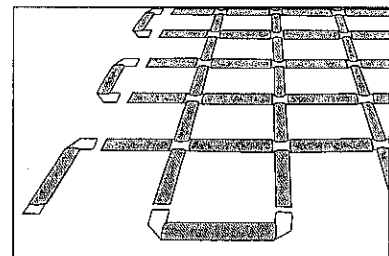
Join the horizontal brackets on one vertical length to the tabs on the next length as shown above. For large wall areas it may be easier to assemble the grid in smaller sections, we recommend a full vertical height by 4-6 tiles wide.

5



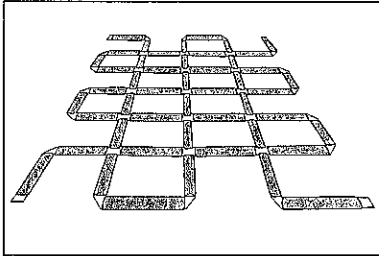
Attach corner joiners to each end of an aluminum bracket as shown above. Following the instruction layout supplied, put together enough of these to form the edges of the mounting grid.

6



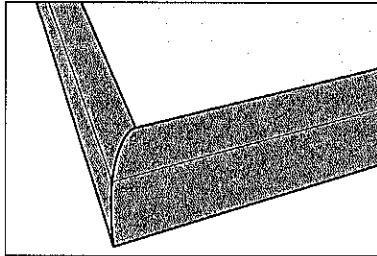
Following the instruction layout supplied, attach brackets with corner joiners around the edges as shown above.

7



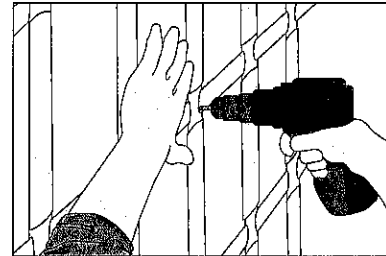
Your finished mounting grid should have every second bracket missing around the perimeter of the frame.

8 OPTIONAL EDGING



If you have ordered standard or deluxe edging to create an outside border you will need to screw it in place on the wall prior to mounting the grid. This will help you to locate the grid on the wall.

9 INSTALLING THE GRID

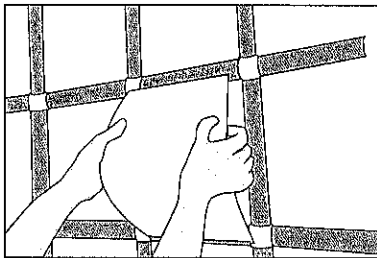


Carefully lift the completed grid and position on the wall. Fasten with screws through the holes in the joiners as shown above.

If you have assembled your wall in smaller sections, screw the first section to the wall, then slide the next section onto the joiner tabs and fasten it in place as shown in diagram 8. Continue until all sections are fastened.

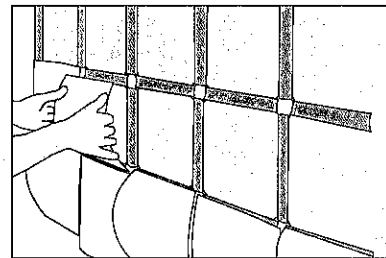
*If you have attached any optional edging you will need to leave screws out of the joiners around the very edge.*

10 INSTALLING THE TILES

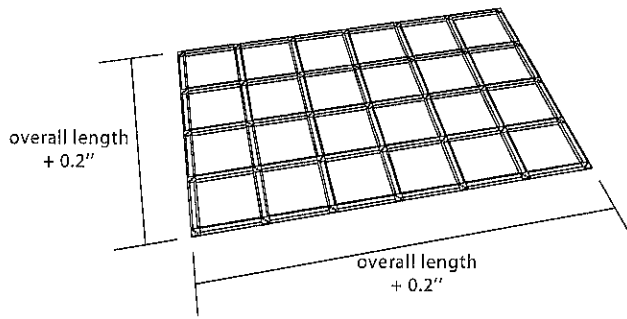


Tiles clip into the outermost ridge of each bracket, as shown above, alternating between horizontal and vertical alignment.

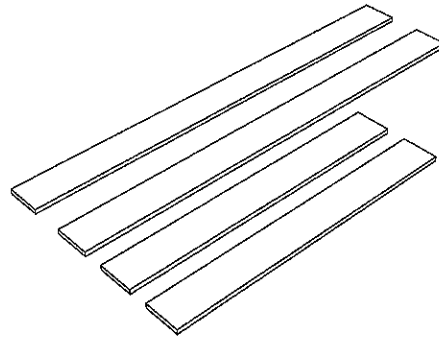
11



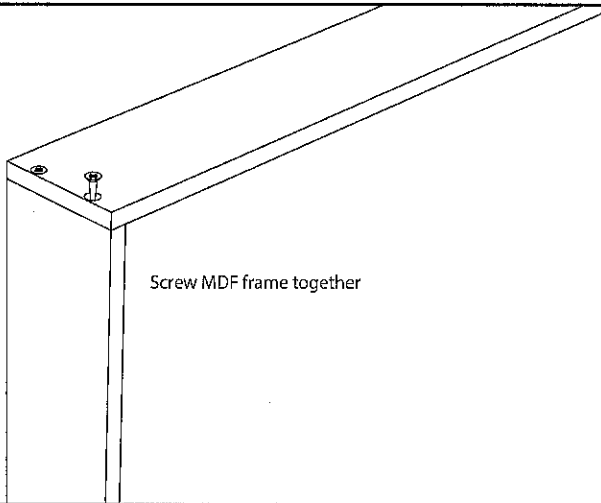
Starting in any corner, insert tiles across the row, alternating between horizontal and vertical as shown above.



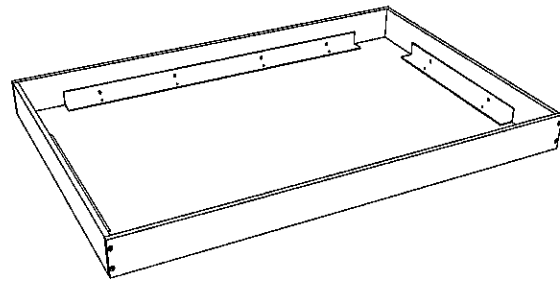
Double check overall length of mounting grid and then add 5 mm to both dimensions to get inside finished size of lightbox frame. Grid dimensions can be found earlier in this document.



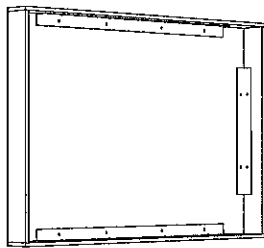
Cut 16 mm (5/8") MDF (provided by others) or melamine to minimum width of 120 mm (4.75"), and length to required size for backlighting frame.



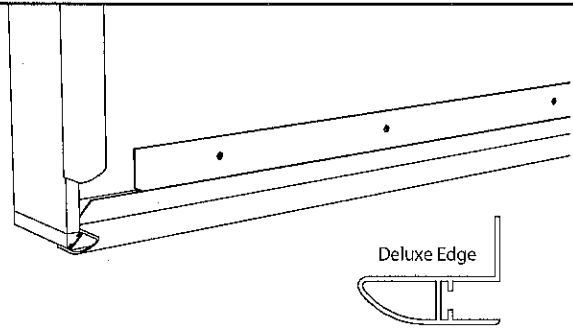
Screw MDF frame together



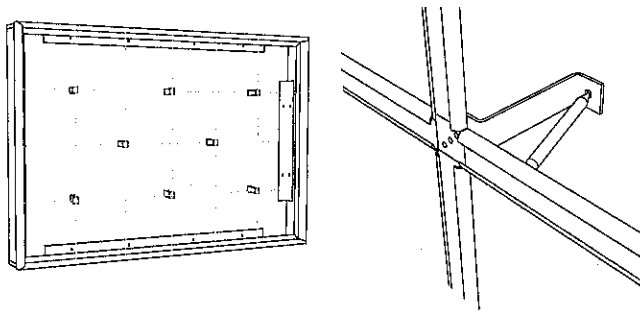
Prepare frame for attaching to the wall. Metal angles (provided by others) may work well.



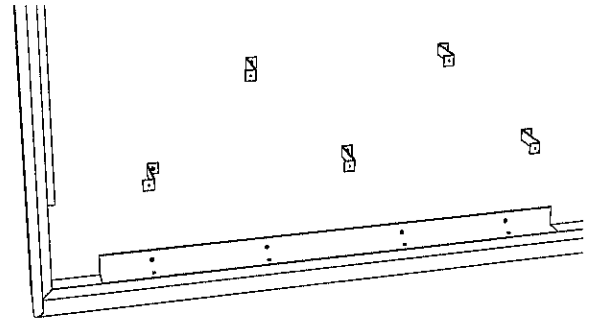
Attach frame to the wall



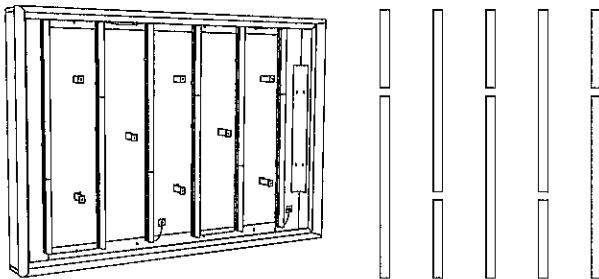
Apply a line of construction adhesive to the top face of the MDF lightbox and slide edging in place. Attach pre-cut pre-mitered wovin wall frame (deluxe recommended) over edge of MDF.



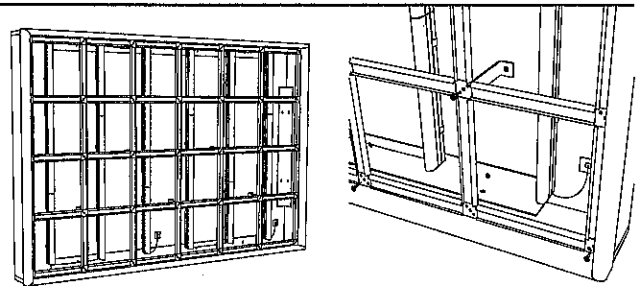
Place Wovin Wall grid over the frame and mark wall attachment points. Standoffs will be placed as shown, at every other grid intersection point.



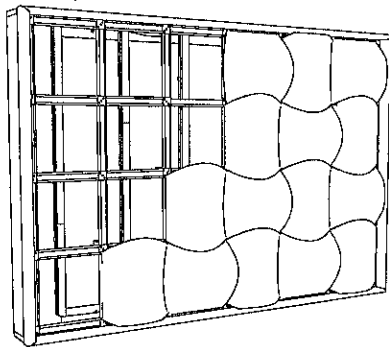
Install the standoffs at desired locations on the wall.



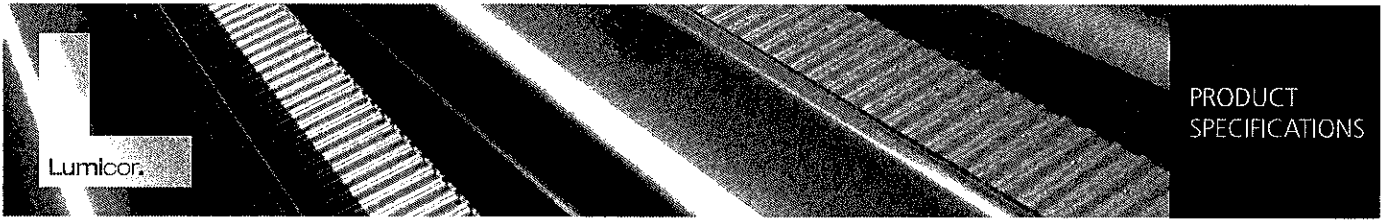
Attach fluorescent fixtures to the wall at recommended locations. For most applications, lamps will be spaced every two rows. Ensure that the different sizes are staggered, as displayed above. You can connect up to (10) 6-20W lamps with jumper cables/butt-connect cables or (5) 22-28W lamps.



Install the grid in the frame and attach to installed standoffs.

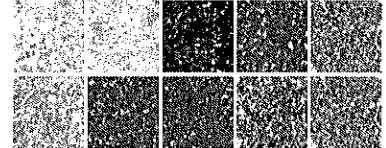


Snap tiles into grid. If fitting customized printed tiles, use numbered layout sheet to ensure tiles are in correct position and orientation.

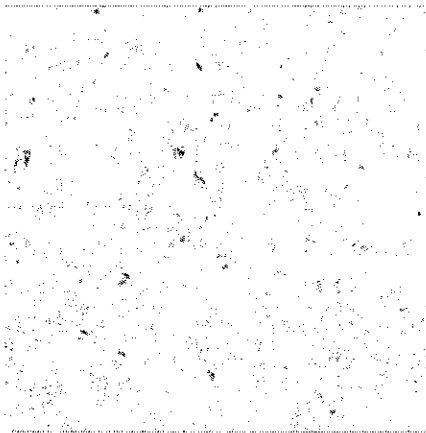


METALLIC & GLASS | CRYSTAL

CRYSTAL RECYCLED GLASS™

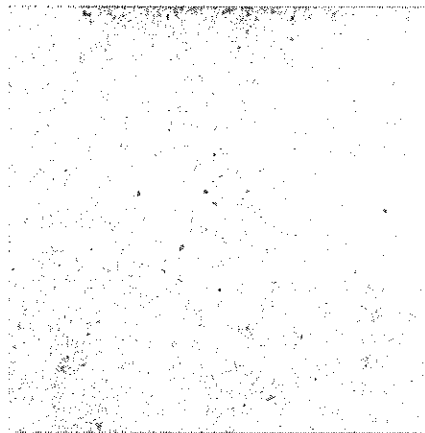


RECYCLED GLASS COLOR OPTIONS

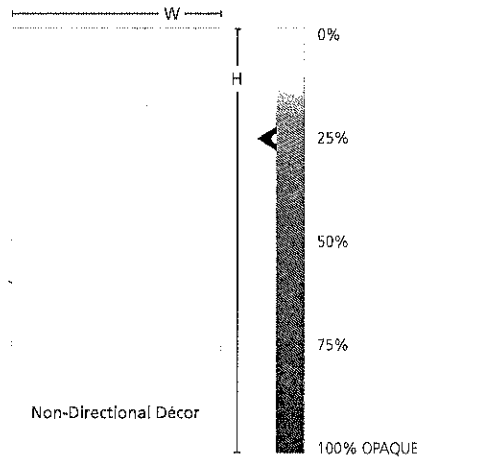


SCALE | 3½" x 3½" 9 x 9 cm

Scale images based on approximate size of 48" x 96" sheet. (1219 x 2438 mm)



SCALE | 8" x 8" 20 x 20 cm



SCALE | 24" x 48" 61 x 122 cm

OPACITY | Based on approximate amount of light showing through the panel.

PRODUCT SPECIFICATIONS

Available Sizes	GAUGES*	LC	LG	LF
	1/16" .060" (1.5 mm)			
	1/8" .118" (3 mm)			
	5/32" .160" (4 mm)			
	3/16" .196" (5 mm)			
	1/4" .236" (6 mm)			
	3/8" .354" (9 mm)	•		•
	1/2" .472" (12 mm)	•	•	•
	3/4" .708" (18 mm)	•	•	•
	1" .944" (24 mm)	•	•	•
Design	Standard: 48" x 96" (1219 x 2438 mm)	•	•	•
	Oversize: 48" x 120" (1219 x 3048 mm)	•		•
	Oversize: 59" x 120" (1499 x 3048 mm)	•		•
	Standard Finishes	Gloss / Gloss		
Décor Direction	Non-directional			
Price Group		D		

KEY | LC = Lumiclear LG = Lumiguard  
LF = Lumiform • = Option Available

\*Not all décors are available in every gauge and may vary by resin. Gauge tolerance is ± .20%.

ADD-ONS

**ChemShield™** | A barrier used to increase the chemical resistance of Lumiclear panels.

**Illume™** | Adding Illume to the back of a Lumiclear panel provides a soft light diffusion.

**Markerboard** | A layer that can be added to any Lumicor panel allowing for non-permanent markings to be made on the surface with dry erase markers.


**Opaque™** | A vinyl backing on Lumiclear or Lumiform creates a fully opaque panel.

**UV Block™** | An additional layer of protection from ultraviolet light. Keeps panels and embedded décor from fading.

ABOUT

Lumicor's Recycled Glass décor contains up to 100% recycled post-industrial/post-consumer content. Add sparkle to your next design while maintaining high environmental standards.

Because of the artisan nature of Lumicor products and natural variation of the glass aggregate used in our recycled glass products, minor differences in color, size, shape, and density may be apparent from one sheet to another within a single sheet.

 Available in R4® certified recycled resin.

LINKS

- ▶ LEARN MORE ABOUT ADD-ONS
- ▶ LEARN MORE ABOUT R4
- ▶ FIND A REPRESENTATIVE NEAR YOU
- ▶ VISIT LUMICOR.COM

TO ORDER: 1.888.LUMICOR | www.lumicor.com

© Copyright Lumicor 2009 - All Rights Reserved

Images are for reference only and may not exactly represent the final product. Material, color, density or scale may vary based on the artisan nature of the product.

Revision #6 | 11/20/09

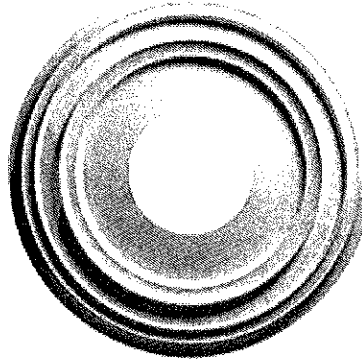


CLG3

[Product Catalog](#)
[Builder Program](#)
[Collections](#)
[Design Ideas](#)
[Installation Guides](#)
[Where To Buy](#)

[Home](#)
[News & Events](#)
[Contact Us](#)

Enter Text or License #



### Rotunda

License #	DXF File	Canopy	Diameter	Hole	Length	Projection	Width
83012	---	5"	12 3/8"	4"	---	1 3/16"	---
* 83018	---	5"	18 1/2"	4"	---	1 1/8"	---
83024	---	5 1/2"	24 5/16"	4"	---	1 3/8"	---
83031	---	5 1/2"	31 3/8"	4"	---	2 3/4"	---
83034	---	5 3/4"	34"	4"	---	2 3/4"	---
83041	---	5 1/2"	40 7/8"	4"	---	2 1/8"	---

#### Associated Items:

[Focal Finish Quick Clips Medallions The ProCollection](#)

[Internet Disclaimer Privacy Statement](#)

Copyright© Focal Point Architectural Products 2004 - All Rights Reserved

Focal Point Architectural Products is an affiliate of [Ras Industries](#)

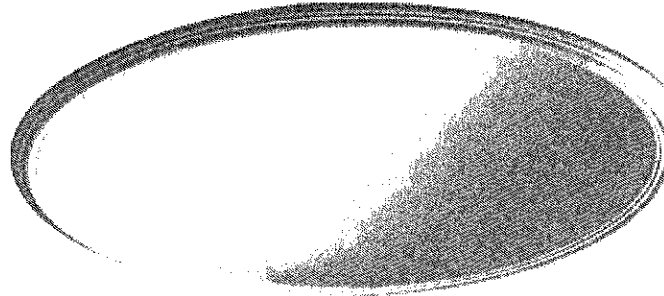
CLG 4



[Product Catalog](#)
[Builder Program](#)
[Collections](#)
[Design Ideas](#)
[Installation Guides](#)
[Where To Buy](#)

[Home](#) [News & Events](#) [Contact Us](#)

Enter Text or License #



### Wilton Round

License #	DXF File	Depth INTERIOR	Diameter	Inside Diameter	MEDALLION SIZE	Rough Opening	Rough Opening Depth
* 98520	---	7"	40 1/4"	35 7/8"	12"	36 1/2"	7 1/4"
98530	---	12 1/2"	65 1/8"	59 3/4"	18"	60 3/4"	12 3/4"
98540	---	14 3/8"	89 1/4"	83 3/4"	24"	84 3/4"	14 3/4"

**Associated Items:**  
**The ProCollection**

[Internet Disclaimer](#) [Privacy Statement](#)

Copyright© Focal Point Architectural Products 2004 - All Rights Reserved

Focal Point Architectural Products is an affiliate of [Ras Industries](#)

Commercial

[Home](#) > [Commercial Department](#) > Restroom Partition

Information Center

# Restroom Partition

Commercial

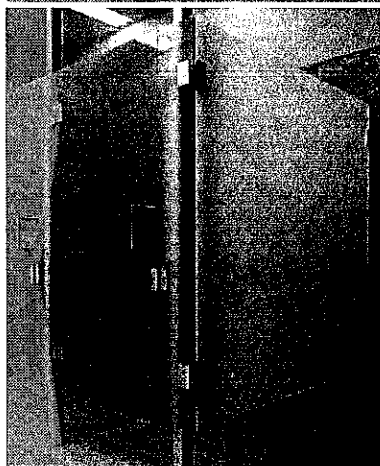
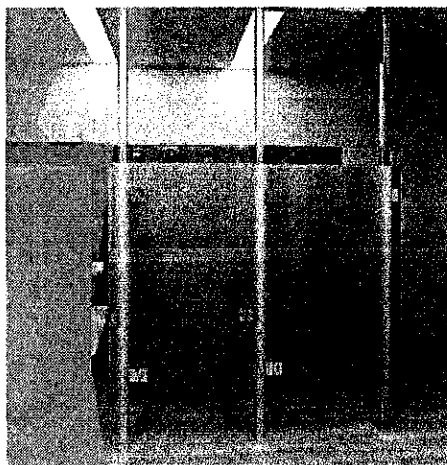
All glass restroom partitions system will add a touch of elegance to any new or existing restroom. Now we can create a beautifully frameless glass environment in your restroom area which will be easy to clean and maintain. The hygienic properties of glass will reduce the amount of time spent cleaning and will eliminate the need for painting and replacement.

The hardware utilized by this system is designed for use with 1/2" thick tempered glass. Doors can swing in or out. Optional fixtures such as coat hooks, toilet paper dispensers, and toilet seat cover dispensers are available as needed. Please call for details or [submit your drawings for a quote](#).

- [Interior Glass](#)
- [Architectural Residence](#)
- [Skylights](#)
- [All Glass Entrances](#)
- [Storefront](#)
- [Curtain Wall](#)
- [Restroom Partition](#)

Other Departments

- [Residential](#)
- [Manufacturing](#)



**Toilet Partitions**

Because no one wants to see your hiney, 800-663-9515  
[www.Lockers4More.com](http://www.Lockers4More.com)

**Bathroom Partitions**

Solid Polymer Partitions w/Hardware  
Fabricated to your design specs.  
[www.TheCuttingBoardFactory.com](http://www.TheCuttingBoardFactory.com)

**Bobrick Washroom**

Huge selection of Bobrick items.  
Great prices, fast shipping.  
[www.buyhardwareonline.com](http://www.buyhardwareonline.com)

Ads by Google

[Dulles Glass and Mirror Home](#)

[Directory of All Products](#)

[Contact Us](#)

[Blog](#)

[About Us](#)

[Terms and Conditions](#)

[Warranty Information](#)

[Privacy Statement](#)

© 2010 Dulles Glass and Mirror

# COIN MACHINE

## SPECIFICATIONS

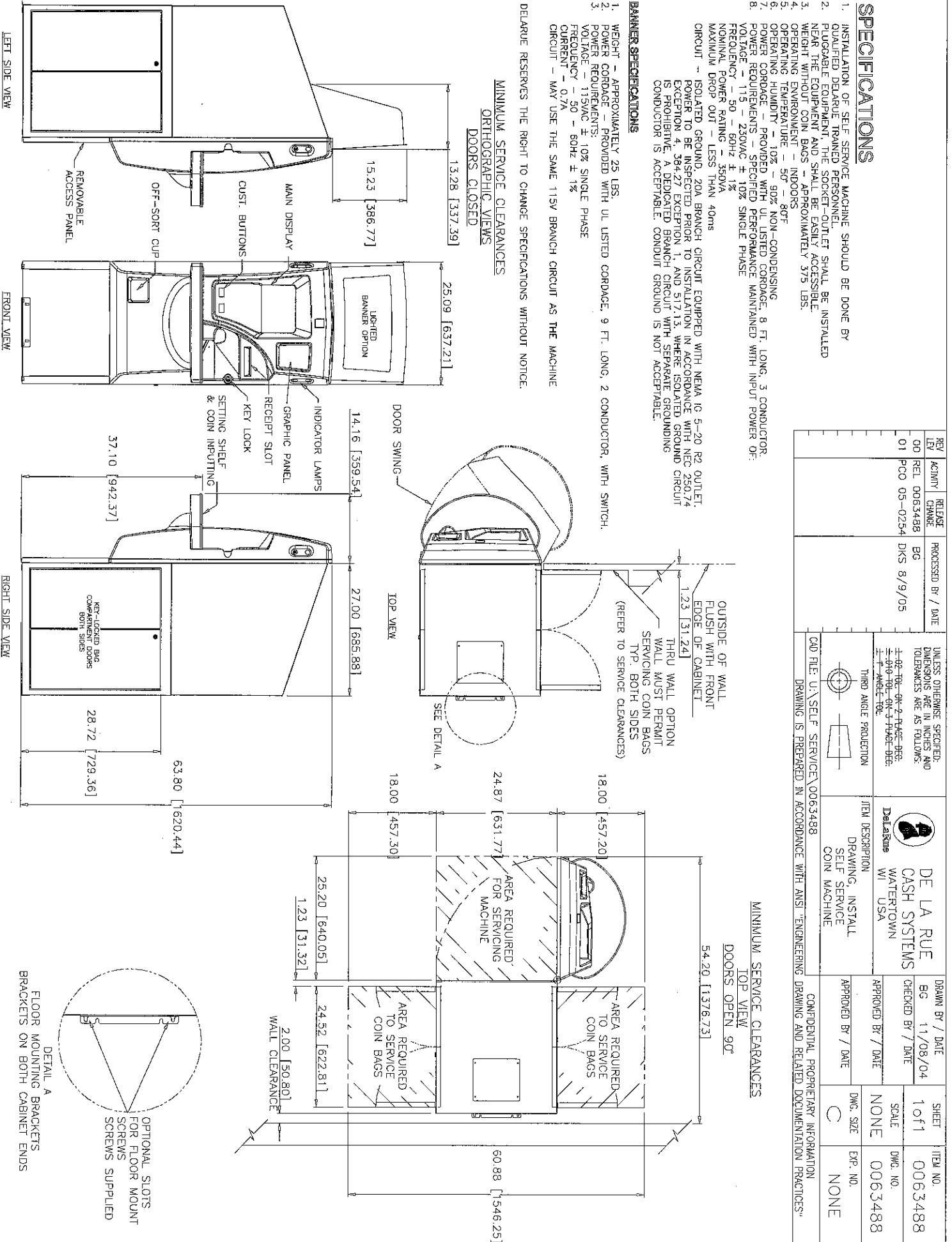
1. INSTALLATION OF SELF SERVICE MACHINE SHOULD BE DONE BY QUALIFIED DELAWARE TRAINED PERSONNEL.
  2. PLUGGABLE EQUIPMENT, THE SOCKET-OUTLET SHALL BE INSTALLED NEAR THE EQUIPMENT AND SHALL BE EASILY ACCESSIBLE.
  3. WEIGHT WITHOUT COIN BAGS - APPROXIMATELY 375 LBS.
  4. OPERATING ENVIRONMENT - INDOORS
  5. OPERATING HUMIDITY - 50% - 80F
  6. OPERATING HUMIDITY - 10% - 90% NON-CONDENSING
  7. POWER CORPAGE - PROVIDED WITH UL LISTED CORPAGE, 8 FT. LONG, 3 CONDUCTOR.
  8. POWER REQUIREMENTS - SPECIFIED PERFORMANCE MAINTAINED WITH INPUT POWER OF:
    - VOLTAGE - 115 - 230VAC ± 10% SINGLE PHASE
    - FREQUENCY - 50 - 60HZ ± 1%
    - NOMINAL POWER RATING - 350VA
    - MAXIMUM DROP OUT - LESS THAN 40ms
- CIRCUIT - ISOLATED GROUND, 20A BRANCH CIRCUIT EQUIPPED WITH NEMA 15 5-20 P2 OUTLET. POWER TO BE INSPECTED PRIOR TO INSTALLATION IN ACCORDANCE WITH NEC 250.74 EXCEPTION 2, 38-27 EXCEPTION 1, 3, WHERE ISOLATED GROUND CIRCUIT IS PROHIBITIVE A DEDICATED BRANCH CIRCUIT WITH SEPARATE GROUND CONDUCTOR IS ACCEPTABLE. GROUND CIRCUIT IS NOT ACCEPTABLE.

## BANNER SPECIFICATIONS

1. HEIGHT - APPROXIMATELY 25 LBS.
  2. POWER CORPAGE - PROVIDED WITH UL LISTED CORPAGE, 9 FT. LONG, 2 CONDUCTOR, WITH SWITCH.
  3. POWER REQUIREMENTS: 10% SINGLE PHASE
  4. VOLTAGE - 115VAC ± 10%
  5. FREQUENCY - 50 - 60HZ ± 1%
  6. CURRENT - 0.7A
- CIRCUIT - MAY USE THE SAME 115V BRANCH CIRCUIT AS THE MACHINE

DELAWARE RESERVES THE RIGHT TO CHANGE SPECIFICATIONS WITHOUT NOTICE.

## MINIMUM SERVICE CLEARANCES ORTHOGRAPHIC VIEWS DOORS CLOSED



REV	ACTIVITY	RELEASE CHANGE	PROCESSED BY / DATE	UNLESS OTHERWISE SPECIFIED, DIMENSIONS ARE IN INCHES AND TOLERANCES ARE AS FOLLOWS: ±.02 TOL. ON 2 PLACE DEC. ±.010 TOL. ON 3 PLACE DEC. ±.0 ANGLE TOL.	ITEM DESCRIPTION	APPROVED BY / DATE	SHEET	ITEM NO.
00	REL	0063488	BG		DELAWARE	BG 11/08/04	1 of 1	0063488
01	PCO	05-0234	DKS 8/9/05		DE LA RUE CASH SYSTEMS WATERTOWN VT USA	CHECKED BY / DATE	SCALE	DWG. NO.
					DRAWING, INSTALL SELF SERVICE COIN MACHINE	APPROVED BY / DATE	NONE	0063488
					THIRD ANGLE PROJECTION	CONFIDENTIAL, PROPRIETARY INFORMATION DRAWING IS PREPARED IN ACCORDANCE WITH ANSI "ENGINEERING DRAWING AND RELATED DOCUMENTATION PRACTICES"	DWG. SIZE	EXP. NO.
					(C/D) FILE: U:\SELF SERVICE\0063488		C	NONE