

ADDENDUM NO. 2  
NEW FACILITIES FOR  
BENTON GAS SYSTEM  
BENTON, KENTUCKY

October 21, 2010

Page No. One

Pre-Bid Conference for subject project was conducted on Friday October 15 with minimal attendance and limited number of items brought to attention. Bidders, whether present at the Conference or not, and irregardless of discussion, shall only accept as items of Addenda, those listed and described below.

Items of concern discussed but not covered in Addendum include:

1. Building equipment, such as water heater and furnaces, is located in Appliance Display area for promotional purposes so quality workmanship is emphasized and will be judged accordingly.
2. It was noted that Construction Documents are presented in total for the project and not all elements of the means and methods of construction are defined by the A/E as responsibilities of Contractor, Subcontractor, etc.

**SPECIFICATION ITEMS**

**ITEM NO. 3 - FORM OF PROPOSAL – ATTACHMENT #4**

It is intended that P.O. # BG-16 – “Drive-Up Payment Window” be changed to P.O. #16 – “Items of Millwork.”

Change will be accomplished omitting Attachment #4 (pages 1 thru 4) in its entirety and substituting therefore the revised Attachment #4 Form of Proposal included in this Addendum.

**ITEM NO. 2 – SECTION 3A – CONCRETE**

Heading 1. Scope, Paragraph A, Item (2) d.  
Change “4000 psi” to “3000 psi”

**ITEM NO. 3 - SECTION 6C – MILLWORK**

Heading 1. Scope, Paragraph A, Item (6) and Heading 5. Construction, Paragraph C, Item (9) clarify that laminated plastic window stools (as detailed) are for Building B only.

**ITEM NO. 4 - SECTION 8C – BUILDERS HARDWARE**

Heading 2. Materials, Paragraph A, Item (3) b.  
Omit double cylinder deadlock in its entirety.

**ITEM NO. 5 - SECTION 8D – METAL CLAD WOOD WINDOWS**

Heading 2. Materials, Paragraph C, Item (4) Glazing  
Revise to read “clear low E argon filled, capable of meeting minimum requirements set forth by the 2010 Energy Star Performance Criteria.”

ADDENDUM NO. 2  
NEW FACILITIES FOR  
BENTON GAS SYSTEM  
BENTON, KENTUCKY

October 21, 2010

Page No. Two

**ITEM NO. 6 - SECTION 8D – METAL CLAD WOOD WINDOWS**

Heading 2. Materials, Paragraph C, Item (3) Exterior Finish  
Change statement about color to read “color shall be selected from  
Manufacturer’s standards.”

**ITEM NO. 7 - SECTION 8D – METAL CLAD WOOD WINDOWS**

Heading 2. Materials, Paragraph C, add item (10) Divided Light Muntins –  
shall be grilles between the glass (GBG)  $\frac{3}{4}$ ” nominal contoured aluminum  
permanently installed in pattern indicated on the drawings and color  
selected from Manufacturer’s standards.

**ITEM NO. 8 - SECTION 8D – METAL CLAD WOOD WINDOWS**

Heading 2. Materials, Paragraph D. add statement “Casing shall be pine,  
kiln dried to moisture content no greater than 12 percent, Tradition style  
profile, size  $1\frac{1}{16}$ ” x  $2\frac{1}{4}$ ”.

**ITEM NO. 9 - SECTION 8H – OVERHEAD DOORS**

Heading 2. Materials, Paragraph A, Item (3)  
Omit this item in its entirety as doors will not require locking.

**ITEM NO. 10 - SECTION 8H – OVERHEAD DOORS**

Heading 2. Materials, Paragraph A, Item (4) a. & d.  
Change series model control hoist from “Optima” to “Basic”  
a. Motor operation to be Trolley or Jackshaft, Belt Drive, NEMA 1,  
Intermittent Duty –  $\frac{1}{2}$  HP for 115 volt single phase power, 10 cycles/hour,  
with 2 year warranty.  
d. Omit this statement in its entirety as doors will not require locking.

**ITEM NO. 11- DIVISION 11 – EQUIPMENT**

Division Index  
Section 11 A – should be titled “Projection Screen” rather than “Fireplace  
Insert”.

**DRAWING ITEMS**

**ITEM NO. 1 - SHEET SP-1 SITE PLAN & DETAILS**

Clarification: Site Plan Drawing does not clearly indicate the chain link  
fence, particularly with only partial printing of fence line along the east  
side and returning along south side to Gate No. 2. Be advised that the  
fence starts at NW corner of Building B, 3'-7" from column frame 1  
extends 45'-2" north, then 194'-1" east, then 63'-0" south to Gate No. 1,  
then 69'-4" south, turning west 11'-6  $\frac{3}{4}$ " to Gate No. 2, continuing 64'-0"  
west, then 47'-7" north to Building B.

ADDENDUM NO. 2  
NEW FACILITIES FOR  
BENTON GAS SYSTEM  
BENTON, KENTUCKY

October 21, 2010

Page No. Three

- ITEM NO. 2 - SHEET C-1 SITE PLAN – LOWER LEFT CORNER**  
General Note 1 – Supplement this note with the following “The Contractor is responsible for creation and implementation of the Storm Water Pollution Protection Plan (SWPPP) in conformance with all state regulations and submittal of the Notice of Intent (No. 1) with Kentucky Division of Water.
- ITEM NO. 3 - SHEET A-2 FLOOR PLAN/FINISH SCHEDULE – BUILDING “A”**  
Floor Plan – at the drive-up payment window located on north wall of Collections A18 – Change window target from “C” to “E”.
- ITEM NO. 4 - SHEET A-2 FLOOR PLAN/FINISH SCHEDULE – BUILDING “A”**  
Floor Plan – add note to indicate location of coiling counter grille to be above counter between Lobby A-00 and Collection A18.
- ITEM NO. 5 - SHEET A-8 REFLECTIVE CEILING PLAN/MILLWOR BUILDING “A”**  
Detail D/A-8 – Clarification. Coiling counter grille is shown in lightly printed lines at the offset portion of the dropped soffit above the counter.
- ITEM NO. 6 - SHEET A-10 SCHEDULES BUILDING “A” & “B”**  
Building “B” Hardware Types  
Omit Hardware Set No. BH-8
- ITEM NO. 7 - SHEET A-10 SCHEDULES BUILDING “A” & “B”**  
Change target at Drive-Up Payment Window Elevation from “C” to “E”.
- ITEM NO. 8 - SHEET A-10 SCHEDULES BUILDING “A” & “B”**  
Window Elevations A, B, C, and D.  
General Note: Dimensions shown are considered nominal.  
Manufacturers may provide their standard units without special or custom sizes.
- ITEM NO. 9 - SHEET A-10 SCHEDULES BUILDING “A” & “B”**  
General note of clarification: Windows A & B are Metal Clad Wood Windows. Windows C & D are Aluminum Windows.

REVISED ATTACHMENT # 4 – FORM OF PROPOSAL

1 of 4

Benton Gas System

**Proposed Materials or Equipment: Breakout Items**

Breakout Items included in the Bid amount without Sales Tax to be provided by the Purchase Order System directly from Supplier to Owner. List shall be submitted during the Post Bid Review within four (4) hours of the Bid Opening by the Apparent Low Bidder(s) only. At the Bidders option list may be submitted with the Bid, note that Installation Contractor cannot be the same entity as the Supplier of the P.O. Item.

**Breakout Amount – Lump Sum**

<b>P.O. #</b>	<b>MATERIAL/EQUIPMENT ITEM</b> M – Manufacturer S – Supplier (P.O. Vendor)	<b>BASE BID</b>	<b>ALT. BID#1</b>	<b>ALT. BID #2</b>	<b>ALT. BID #3</b>	<b>ALT. BID #4</b>
BG-01	Chain-Link Fence / Gates M - _____ S - _____	_____	_____	_____	_____	_____
BG-02	Concrete M - _____ S - _____	_____	_____	_____	_____	_____
BG-03	Brick M - _____ S - _____	_____	_____	_____	_____	_____
BG-04	Concrete Block M - _____ S - _____	_____	_____	_____	_____	_____
BG-05	Wood Trusses M - _____ S - _____	_____	_____	_____	_____	_____

REVISED ATTACHMENT # 4 – FORM OF PROPOSAL  
 2 of 4

P.O. #	MATERIAL/EQUIPMENT ITEM	BASE BID	ALT. BID #1	ALT. BID #2	ALT. BID #3	ALT. BID #4
BG-06	Roof Shingles / Underlayment M - _____ S - _____	_____				
BG-07	Steel Doors & Frames M - _____ S - _____	_____				
BG-08	Hardboard Doors M - _____ S - _____	_____				
BG-09	Builders Hardware M - Hinges _____ - Locksets _____ - Closers _____ - Panic Device _____ S - _____	_____				
BG-10	Metal Clad Windows M - _____ S - _____	_____				
BG-11	Aluminum Windows M - _____ S - _____	_____				
BG-12	Overhead Doors M - _____ S - _____	_____				

REVISED ATTACHMENT # 4 – FORM OF PROPOSAL  
3 of 4

P.O. #	MATERIAL/EQUIPMENT ITEM	BASE BID	ALT. BID #1	ALT. BID #2	ALT. BID #3	ALT. BID #4
BG-13	Acoustical Ceiling System M - _____ S - _____	_____				
BG-14	Flag Poles M - _____ S - _____	_____				
BG-15	Toilet Compartments & Screens M - _____ S - _____	_____				
BG-16	Items of Millwork M - _____ S - _____	_____				
BG-17	Pre-Engineered Steel Building Package M - _____ S - _____	_____		_____		_____
BG-18	Storm Water Pipe / Inlets M - _____ S - _____	_____		_____		
BG-19	Furnaces / Condensing Unit M - _____ S - _____	_____				
BG-20	Plumbing Fixtures M - _____ S - _____	_____				

REVISED ATTACHMENT # 4 – FORM OF PROPOSAL

4 of 4

P.O. #	MATERIAL/EQUIPMENT ITEM	BASE BID	ALT. BID #1	ALT. BID #2	ALT. BID #3	ALT. BID #4
BG-21	Gas Fired Infrared Heaters M - _____ S - _____	_____				
BG-22	Light Fixtures M - _____ S - _____	_____		_____		
BG-23	Generator M - _____ S - _____	_____				
BG-24	Transfer Switches M - _____ S - _____	_____				
BG-25	Electrical Panels M - _____ S - _____	_____				

Footnotes

1. Provide separate attached list for multi-manufactureds for a group item.
2. For any item proposed as a Purchase Order in which the Installer might be the same entity as the Supplier, the Bidder shall recognize the situation and omit this item with the notation N.P. (not permitted) in the "supplier" column.
3. Only those items of the above list which may be affected by acceptance of an Alternate Bid shall have an amount placed in the appropriate Alternate Bid column to be an increase or decrease to the Base Bid amount.
4. Voluntary offerings by the Bidders for additional P.O. items cannot be accepted.

**OFFICE AND WAREHOUSE FACILITY FOR BENTON GAS SYSTEM**  
**BENTON CITY COUNCIL**  
**BENTON, KENTUCKY**  
**CMS NO. 342-10**  
**MARCUM NO. 10560**

**MECHANICAL AND ELECTRICAL ADDENDUM 2.00**

The following Addendum Items shall be made part of the Contract Documents for the referenced project.

- 2.01 Reference Section 230700. All domestic hot water piping not electrically heat traced shall be insulated with mineral fiber pre-formed pipe insulation.
- 2.02 Reference drawing U-1. The Owner shall be responsible for all tap-on fees for all utilities.
- 2.03 Reference drawings U-1 and C-4. Coordinate the point of connection (POC) for natural gas piping and sanitary sewer piping as noted on drawing U-1.
- 2.04 Reference P-1, Plumbing Fixture Schedule and Specialty Items Schedule. The Contractor shall furnish and install water piping and sanitary sewer connections to each fixture per the sizes listed in the referenced schedules.
- 2.05 Reference drawings E-1 and E-2. Coax shall be RG-59 and terminated in SERV. 110.
- 2.06 Reference drawing U-1 and E-2. Install the 24V transformer listed in Electrical Construction Note 11 on drawing U-1, above the ceiling in Collections 118. The transformer shall be controlled by a pilot lit switch in Collections 118, by the latch side of the door to Files 117. The switch shall be labeled "Gas Lamps". The junction box located by the outdoor sign and denoted by note 11 on drawing U-1 shall be omitted. Power for transformer shall be from the receptacle circuit within the Files 117. Contractor shall furnish and install conduit and wire to power the gas lamps posts.
- 2.07 Reference drawings E-2, E-4, H-2, H-3, and E-9. The Electrical Contractor shall coordinate thermostat locations on drawings H-2 and H-3 and provide rough-in at the height listed on Device Mounting Detail on drawing E-9.
- 2.08 Reference drawing E-2. Voice ("V") and Data ("D") cables shall terminate in SERV. 110.

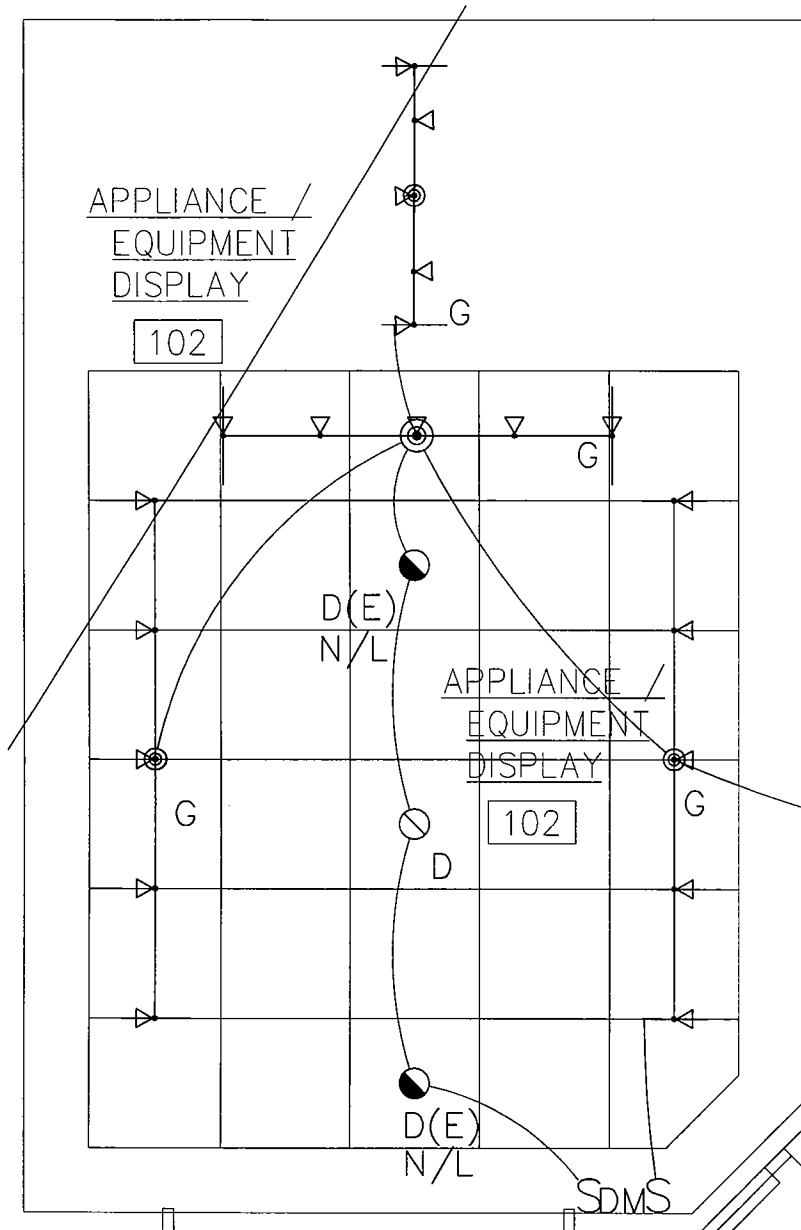
- 2.09 Reference drawing E-3. Add night light option "N/L" on light fixture type D(E) located in APPLIANCE/EQUIPMENT DISPLAY 102.
- 2.10 Reference drawing E-3. Add night light option "N/L" on light fixture type F(E) located in LOBBY 100.
- 2.11 Reference drawing E-3. Add light fixture, conduit and wire as shown on Sketch XE01.
- 2.12 Reference drawing E-3. Relocate light fixture types R(E) and H as shown on Sketch XE02.
- 2.13 Reference drawing E-3. Add light fixture type V as shown on Sketch XE02. Light fixture type V shall be SPI Lighting #ECHO EEW9011 2F54 120V (or approved equal). Architect to select color.
- 2.14 Reference drawings A-12, E-4 and E-11. Locate independent switch with pilot light for exhaust fans EF-7 and EF-8 on latch side of doors 18 and 16.
- 2.15 Reference drawing E-4. Voice ("V") cables shall terminate on Demark located in MISC.PARTS & EQUIPMENT 107.
- 2.16 Reference drawings E-4 and E-13. Contractor shall coordinate NEMA type configuration for welding receptacles with Owner.
- 2.17 Reference drawings E-5 and E-12. Change light fixture type L to Lithonia #AFP 2 28T5 MVOLT GEB10PS WGAFPV rated for Cold Weather (or approved equal).
- 2.18 Reference drawings E-5 and E-12. Change light fixture type L(E) to Lithonia #AFP 2 28T5 MVOLT GEB10PS WGAFPV EL14 rated for Cold Weather (or approved equal).
- 2.19 Reference drawings E-5 and E-12. Change light fixture type R(E) to Lithonia #ASF1 2/32TRT WDF 120 2/1 LPI (or approved equal). Mounting shall be suitable for corrugated metal building or brick veneer as required. Architect to select color.
- 2.20 Reference drawings E-5 and E-12. Change light fixture type S to Lithonia #ASF1 70M WDF 120 LPI (or approved equal). Mounting shall be suitable for corrugated metal building or brick veneer as required. Architect to select color.

- 2.21 Reference drawings A-12 and E-5. Relocate light fixtures at Doors 11 and 12 as shown on Sketch XE03. Add a light fixture type R(E) as shown on Sketch XE03.
- 2.22 Reference drawing E-7. Change grounding electrode conductor bonding for ATS-1 to #2/0.
- 2.23 Reference drawings U-1, E-2, E-4 and E-10. Contractor shall furnish, install and connect two (2) 4"C from TELEPHONE DEMARK BACKBOARD DETAIL (BLDG. B) to BLDG. A.

Attachments:

- XE01 – Lighting – RM 102
- XE02 – Lighting – Main Entry
- XE03 – Lighting – Side Entry

**END OF ADDENDUM 2.00**



500 SOUTH 17th STREET - PADUCAH, KENTUCKY 42002-0120  
 PHONE - 270.444.9274 FAX - 270.443.1904  
 www.marcumengineering.net

COPYRIGHT ©, 2010 - MARCUM ENGINEERING, LLC

PROJECT NO.  
10560

DATE:  
2010

DRAWN BY:  
MSE

SCALE:  
NO SCALE

LIGHTING - RM 102

BENTON GAS SYSTEM  
 CITY OF BENTON  
 BENTON, KENTUCKY

SHEET

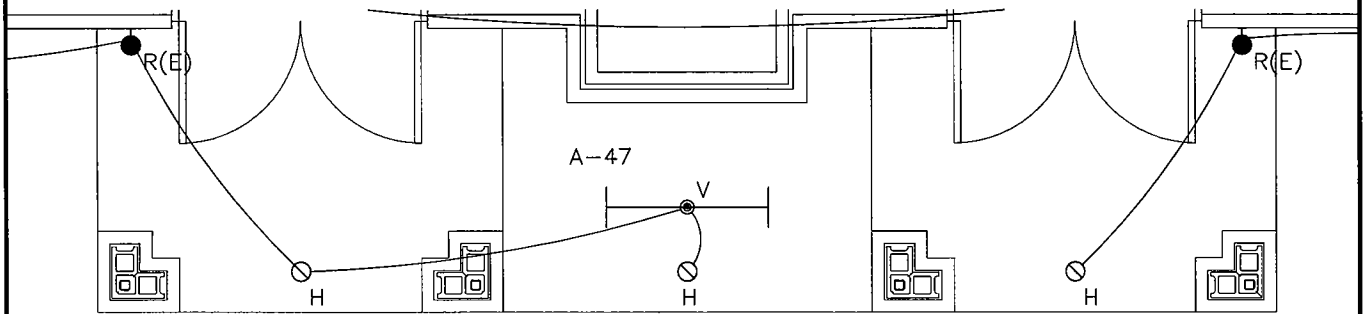
**XE01**

ADDENDUM

**2.00**

REF. SHT.

**E-3**



500 SOUTH 17th STREET - PADUCAH, KENTUCKY 42002-0120  
 PHONE - 270.444.9274 FAX - 270.443.1904  
 www.marcumengineering.net

COPYRIGHT © 2010 - MARCUM ENGINEERING, LLC

PROJECT NO.  
10560

DATE:  
2010

DRAWN BY:  
MSE

SCALE:  
NO SCALE

LIGHTING - MAIN ENTRY

BENTON GAS SYSTEM  
 CITY OF BENTON  
 BENTON, KENTUCKY

SHEET

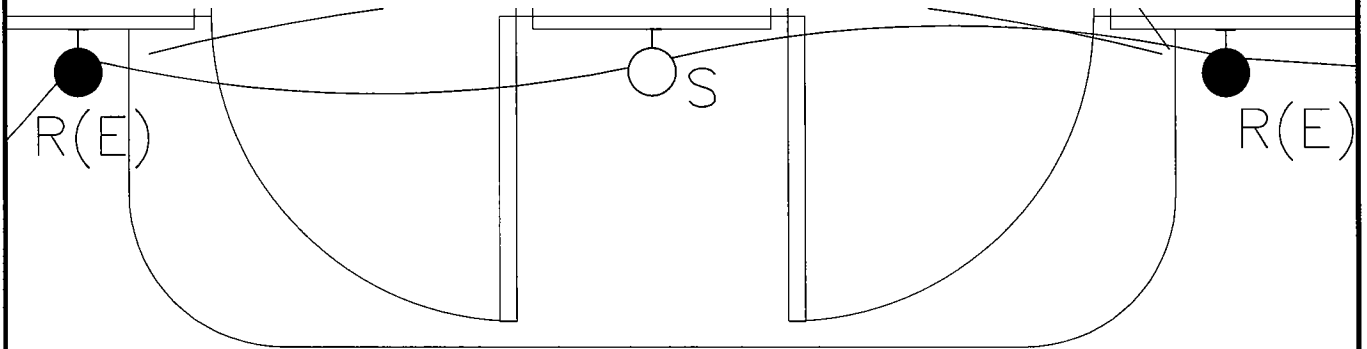
**XE02**

ADDENDUM

**2.00**

REF. SHT.

**E-3**



MARCUM  
ENGINEERING, LLC

500 SOUTH 17th STREET - PADUCAH, KENTUCKY 42002-0120  
PHONE - 270.444.9274 FAX - 270.443.1904  
www.marcumengineering.net

COPYRIGHT ©, 2010 - MARCUM ENGINEERING, LLC

PROJECT NO.  
10560

DATE:  
2010

DRAWN BY:  
MSE

SCALE:  
NO SCALE

LIGHTING - SIDE ENTRY

BENTON GAS SYSTEM  
CITY OF BENTON  
BENTON, KENTUCKY

SHEET

**XE03**

ADDENDUM  
**2.00**

REF. SHT.  
**E-5**