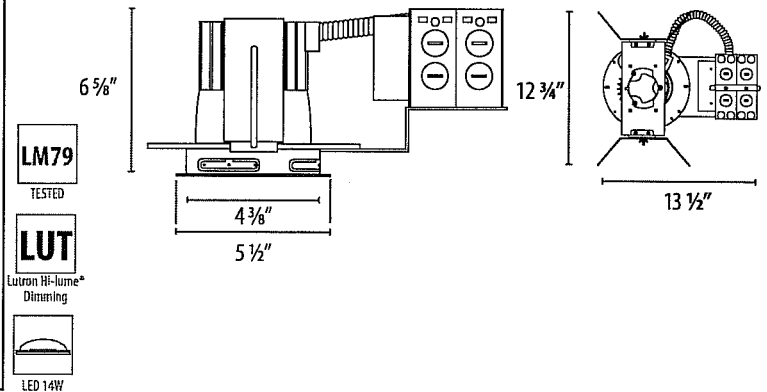


ARISTA

SS4700

4" LED Downlight 700lm 14W / Open & Lensed Reflector

Catalog Number	Type
	F27
Notes	



Housing Matrix | Example : SS470035-27HZ-SF-1100

Series	Lumens / Color Temperature	Power Supply	Reflector	Flange	Lens	Options
A	B	C	D	E	F	G
A Series			D Reflector			
SS4	4" LED Recessed		C Clear Specular			
			HZ Haze			
			W White Matte			
B Lumens / Color Temperature				E Flange		
70035	700 lm 3500K			-SF Self Flanged		
				-SFW Self Flanged White		
C Power Supply					F Lens	
blank	120V Electronic Driver				blank	Open Reflector
-27	277V Electronic Driver				-SB	Sand Blasted
-DIM	120V 0-10V Dimming				-CR	Tempered Clear
-DIM-27	277V 0-10V Dimming					
-LUT	120V Lutron Hi-lume® Dimming					
-LUT-27	277V Lutron Hi-lume® Dimming					
					G Options	
					-EM	Emergency Backup
					-1100	C-Channel Bar Hanger
					-1200	Flat Bar Hanger
					-1400	Wood Joist Bar Hanger

Frame Construction:

Heavy duty galvanized steel frame with a large access junction box. NRTL listed for through wiring. LED light engine and driver are accessible from above or below ceiling.

LED Light Engine:

- Nominal input power = 14W
- Nominal delivered lighting output = 700lm
- 65° beam spread
- 3500K color temperature 83 CRI
- LED's mounted to die cast aluminum heat sink
- 50,000 of average rated life at 70% output
- Fixture should not be installed in applications with an ambient temperature above 50°C
- Applications with an installation above 50°C will result in reduced lamp life and void warranty
- LED module is easily upgradable to accommodate future solid state lighting technology

Optical System:

Innovative optical design: a controlled light distribution at a 55° cut off. Meets RP-1 requirements. No LED pixelation is visible. Specification grade reflector 1.5mm thickness. Available in multiple iridescent free architectural finishes. Self flanged trim standard with optional white self flanged.

Electrical System:

- 120V/277V 50/60Hz input
- 700mA constant current output (25W max.)
- Class 2 power supply
- Over-voltage, over current and short circuit protection: auto recovery
- MTBF > 100,000 hours
- Dimming Options:
- 0-10V dimming down to 5%
- Lutron Hi-lume® down to 1%

Lutron Hi-lume® LED driver:

- 120V/277V 50/60Hz input
- MTBF > 50,000 hours
- Dimming option allows LED module to dim to 1%-100% dimming.
- EcoSystem® Bus Control, compatible with all Lutron EcoSystem, GRAFIK Eye® QSE and Quantum® system.
- Standard 3-wire line-voltage phase-control technology for consistent dimming performance and compatibility with all Lutron 3-wire fluorescent dimmers

Emergency:

- The emergency backup can be used with an LED lighting load of up to 3.5 Watts at rated current of 200mA. Remote test switch with junction included.
- Illumination Time = 90 Minutes
 - Dual Input Voltage = 120/277 VAC, 60 Hz
 - Test Switch = Single Pole
 - Battery = High-Temperature, Maintenance Free, Nickel Cadmium Battery, 7- to 10-Year Life Expectancy
 - Recharge Time = 24 Hours
 - Charging Indicator Light = LED
 - Temperature Rating (Ambient) = 0°C to +50°C (32°F to 122°F)

Mounting Frame:

Universal mounting brackets are installed on all fixtures. C-channels and EMT are the preferred system for T-bar ceilings. Flat bars are ideal for hard ceilings.

Listing:

NRTL listed to US and Canadian standards for damp locations. Lensed Reflector is wet location listed. NRTLs recognized by OSHA include CSA, ETL, UL, and others.
3 Year Warranty

ARISTA R-020310 P-1

Intense Lighting | 2861 E La Palma Ave. | Anaheim, CA 92806 | Phone: 1.800.961.5321 | Fax: 1.800.961.5322 | www.intenselight.com
Note: Specifications and dimensions subject to change without notice.

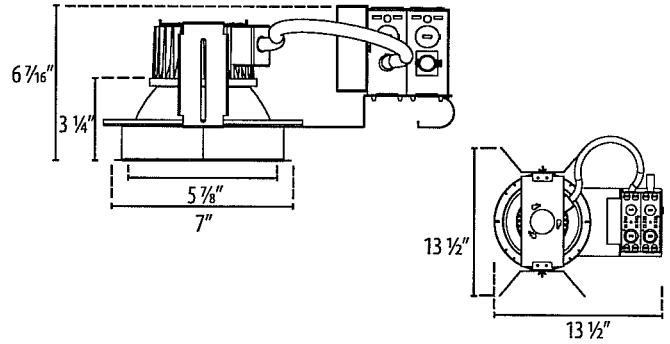
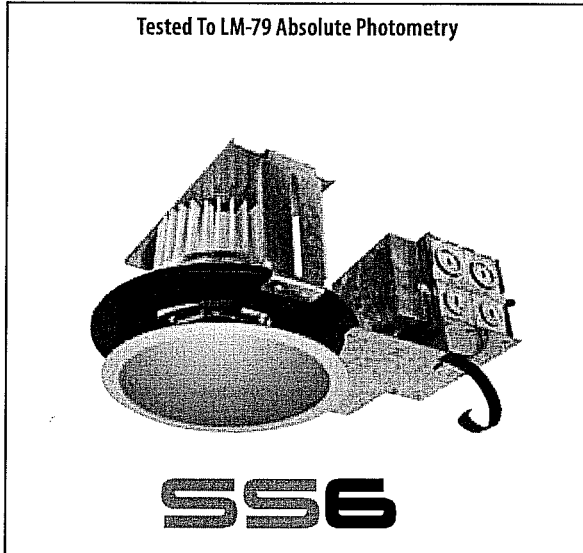


ARISTA

SS6700

6" LED Downlight 700lm 14W / Open & Lensed Reflector

Catalog Number	Type
	F28/F29
Notes	



Housing Matrix | Example : SS670035-27HZ-SF-I100

Series	Lumens / Color Temperature	Power Supply	Reflector	Flange	Lens	Options
A	B	C	D	E	F	G
A	Series		D	Reflector		
SS6	6" LED Recessed		C	Clear Specular		
			HZ	Haze		
			W	White Matte		
B	Lumens / Color Temperature		E	Flange		
70035	700 lm 3500K		-SF	Self Flanged		
			-SFW	Self Flanged White		
C	Power Supply		F	Lens		
blank	120V Electronic Driver		blank	Open Reflector		
-27	277V Electronic Driver		-SB	Sand Blasted		
-DIM	120V 0-10V Dimming		-CR	Tempered Clear		
-DIM-27	277V 0-10V Dimming		G	Options		
-LUT	120V Lutron Hi-lume® Dimming		-EM	Emergency Backup		
-LUT-27	277V Lutron Hi-lume® Dimming		-I100	C-Channel Bar Hanger		
			-I200	Flat Bar Hanger		
			-I400	Wood Joist Bar Hanger		

Frame Construction:

Heavy duty galvanized steel frame with a large access junction box. NRTL listed for through wiring. LED light engine and driver are accessible from above or below ceiling.

LED Light Engine:

700lm LED Light Engine:
 - Nominal input power = 14W
 - Nominal delivered lighting output = 700lm
 - 65° beam spread
 - 3500K color temperature 83 CRI
 - LED's mounted to die cast aluminum heat sink
 - 50,000 of average rated life at 70% output
 - Fixture should not be installed in applications with an ambient temperature above 50°C
 Applications with an installation above 50°C will result in reduced lamp life and void warranty
 - LED module is easily upgradable to accommodate future solid state lighting technology

Optical System:

Innovative optical design: a controlled light distribution at a 55° cut off. Meets RP-1 requirements. No LED pixelation is visible. Specification grade reflector 1.5mm thickness. Available in multiple iridescent free architectural finishes. Self flanged trim standard with optional white self flanged.

Electrical System:

- 120V/277V 50/60Hz input
 - 700mA constant current output (25W max.)
 - Class 2 power supply
 - Over-voltage, over current and short circuit protection: auto recovery
 - MTBF > 100,000 hours
 - Dimming Options:
 - 0-10V dimming down to 5%
 - Lutron Hi-lume® down to 1%

Lutron Hi-lume® LED driver:

- 120V/277V 50/60Hz input
 - MTBF > 50,000 hours
 - Dimming option allows LED module to dim to 1%-100% dimming.
 - EcoSystem® Bus Control, compatible with all Lutron EcoSystem, GRAFIK Eye® QSE and Quantum® system.
 - Standard 3-wire line-voltage phase-control technology for consistent dimming performance and compatibility with all Lutron 3-wire fluorescent dimmers

Emergency: F29

The emergency backup can be used with an LED lighting load of up to 3.5 Watts at rated current of 200mA. Remote test switch with junction included.
 - Illumination Time = 90 Minutes
 - Dual Input Voltage = 120/277 VAC, 60 Hz
 - Test Switch = Single Pole
 - Battery = High-Temperature, Maintenance Free, Nickel Cadmium Battery, 7- to 10-Year Life Expectancy
 - Recharge Time = 24 Hours
 - Charging Indicator Light = LED
 - Temperature Rating (Ambient) = 0°C to +50°C (32°F to 122°F)

Mounting Frame:

Universal mounting brackets are installed on all fixtures. C-channels and EMT are the preferred system for T-bar ceilings. Flat bars are ideal for hard ceilings.

Listing:

NRTL listed to US and Canadian standards for damp locations. Lensed Reflector is wet location listed. NRTLs recognized by OSHA include CSA, ETL, UL, and others.
 3 Year Warranty



FEATURES

OPTICAL SYSTEM

- Self-flanged, semi-specular, matte-diffuse or specular lower reflector utilized in combination with a highly transmissive lens. LEDs are completely concealed providing superior aesthetic appeal.
- LEDs in a proprietary mixing chamber provide consistent performance balancing glare, uniformity and efficiency.
- Patented Bounding Ray™ Optical Principle design (U.S. Patent No. 5,800,050) provides 45° cut-off to source and source image for a smooth transition from top of the reflector to bottom.

MECHANICAL SYSTEM

- Housing accommodates a maximum 7/8" ceiling thickness. See CTA Accessory note below.
- Light engine and driver are accessible from above or below ceiling.
- 16-gauge galvanized steel mounting bars with continuous 4" vertical adjustment are shipped pre-installed. Post installation adjustment possible without the use of tools from above or below ceiling.
- Galvanized steel junction box with hinged access covers and spring latch. Three combination 1/2"-3/4" and one 1/2" knockout for straight-through conduit runs. Capacity: 8 (4in, 4out) No. 12 AWG conductors rated for 90°C.

ELECTRICAL SYSTEM

- Solid state LED light engine available in 3500° or 4100°K color temperatures.
- Class P, thermally protected solid state dimming driver.
- Rated system life of 50,000 hours at 70% output.
- Emergency battery pack with remote test switch available.
- Luminaire should be installed in applications where ambient temperatures do not exceed 40°C. Ambient temperatures that exceed 40°C will result in reduced lamp life and will void warranty.

LISTING

- Fixtures are listed and labeled to comply with US and Canadian standards. Damp location listed. Consult factory for wet location availability.

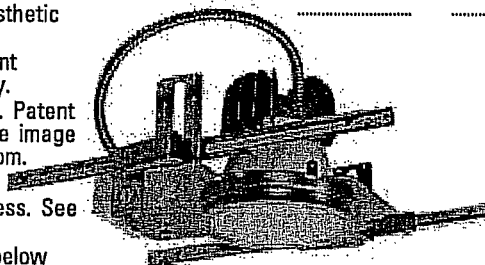
WARRANTY

- 3-Year limited warranty

Type

Catalog number

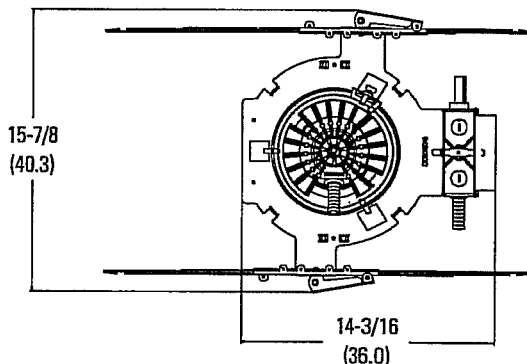
F30



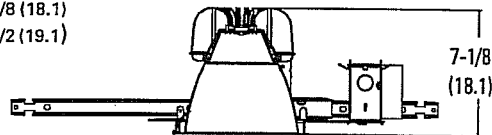
LED Downlights

6" ALED

Open Reflector



Aperture: 6-1/4 (15.9)
 Ceiling Opening: 7-1/8 (18.1)
 Overlap Trim: 7-1/2 (19.1)



All dimensions are inches (centimeters)

ORDERING INFORMATION

Example: ALED 35/10 6AR 120

Choose the boldface catalog nomenclature that best suits your needs and write it on the appropriate line. Order accessories as separate catalog numbers (shipped separately).

ALED

Series	Lumens	Aperture	Trim color	Finish	Driver	Options
ALED	10 1000 lumens 14 1400 lumens 18 1800 lumens	6	AR Clear PR Pewter WTR Wheat GR Gold WR ¹ White	(blank) Semi-specular LD Matte-diffuse LS Specular	(blank) 0-10V dimming driver	SF Single fuse LRC Lithonia Reloc system NSD² Sensorswitch nLight™ dimming relay TRW ³ White painted flange TRBL Black painted flange ELR ⁴ Emergency battery pack with remote test switch CP Chicago plenum
	Color temperature 35/ 3500°K 41/ 4100°K				Voltage 120 277 347	

Accessories

Order as separate catalog number.

- SCA6** Sloped ceiling adapter. Degree of slope must be specified (10D, 15D, 20D, 25D, 30D). Ex: SCA6 10D
- CTA4-8YK** Ceiling thickness adapter (extends mounting frame to accommodate ceiling thickness).

NOTES

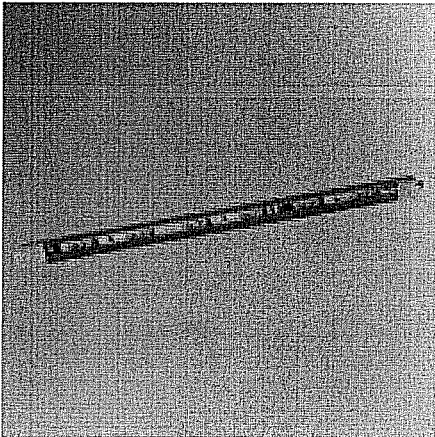
- 1 Not available with finishes.
- 2 One 5A relay with one 0-10 VDC dimming output, shipped installed.
- 3 Not available with white reflector.
- 4 Consult factory for availability.



Job Name: _____ Contact: _____

Fixture Type: _____ Part Number: _____

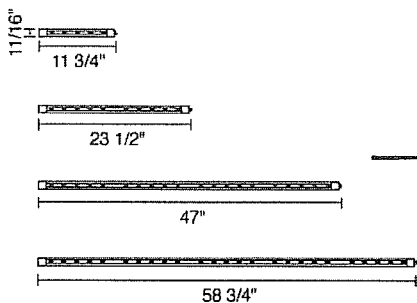
ORION SWORD



Description: coming fall 2010

The Ledra® Orion Sword is a thin T5 form matte chrome aluminum tube with clustered, highly efficient LED's. The Sword has a 120° beam angle spread and provides an impressive 230 lumens per foot from only 4.5-5 watts of even illumination for many applications. Sword has male and female power feed end sockets and screw in attachment clips for easy installation and connecting several units together for longer runs up to 11 feet. Soft connectors give it the ability to be used for any angled application. Several color temperatures and lengths are offered. Orion Sword is an attractive LED rigid tube that can be installed within or out of direct view. Examples of applications include, Jewelry cases, cove lighting, under cabinet, retail display and refrigeration. Custom LED colors and housing colors are available with appropriate lead time. For compatible drivers refer to our [driver section](#).

Part Numbers:



- | | |
|---------------------|----------------------------------|
| 138501mc/3 | matte chrome, 1 foot, warm white |
| 138501mc/4 | matte chrome, 1 foot, white |
| 138501mc/5 | matte chrome, 1 foot, cool white |
| 138501mc/bl | matte chrome, 1 foot, blue |
| 138502mc/3 | matte chrome, 2 foot, warm white |
| 138502mc/4 | matte chrome, 2 foot, white |
| 138502mc/5 | matte chrome, 2 foot, cool white |
| 138502mc/bl | matte chrome, 2 foot, blue |
| 138504mc/3 | matte chrome, 4 foot, warm white |
| 138504mc/4 | matte chrome, 4 foot, white |
| 138504mc/5 | matte chrome, 4 foot, cool white |
| 138504mc/bl | matte chrome, 4 foot, blue |
| 138505mc/3* | matte chrome, 5 foot, warm white |
| 138505mc/4* | matte chrome, 5 foot, white |
| 138505mc/5* | matte chrome, 5 foot, cool white |
| 138505mc/bl* | matte chrome, 5 foot, blue |

***5 ft section coming fall 2010**

Technical Specs:

- 12V DC constant voltage input
- 4.5W for 1 ft section
- 9.75W for 2 ft section